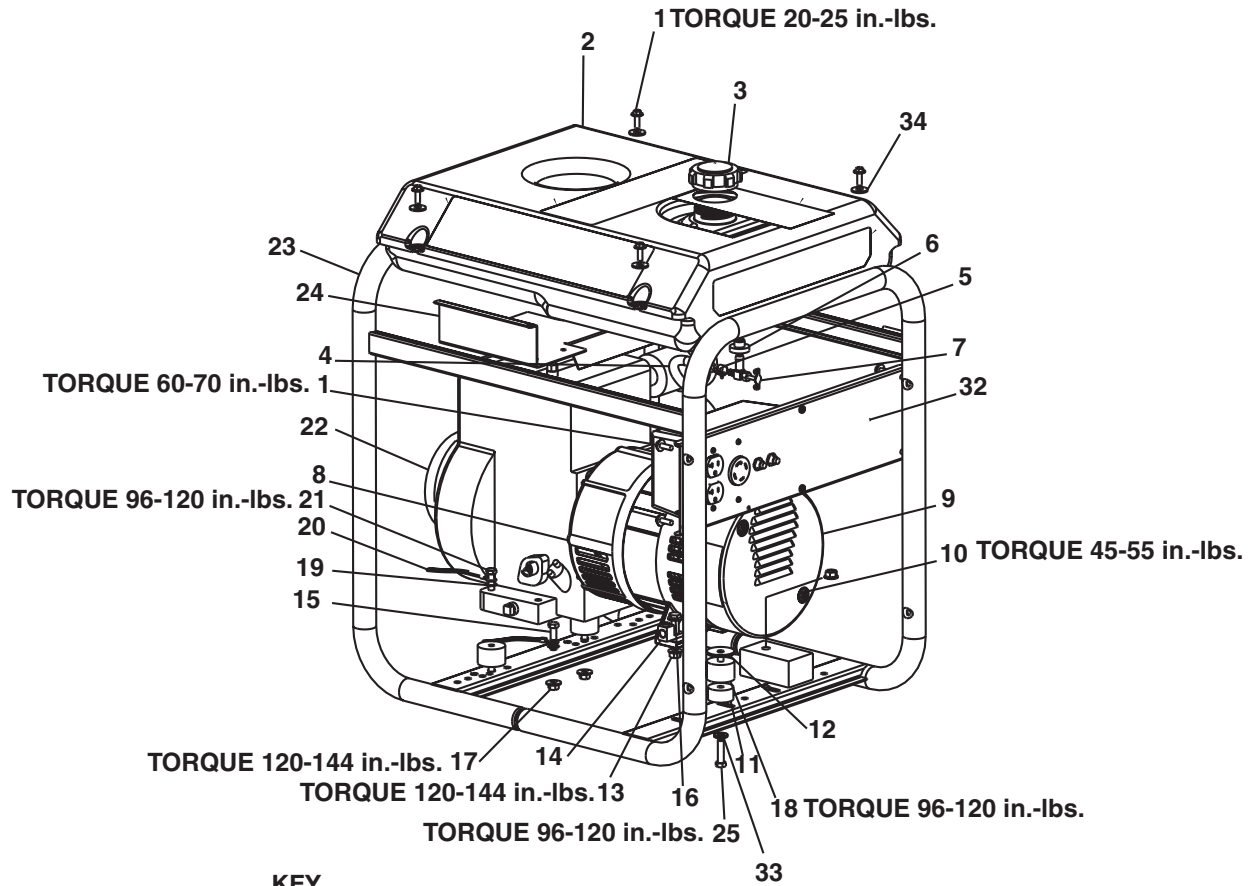


# BS500

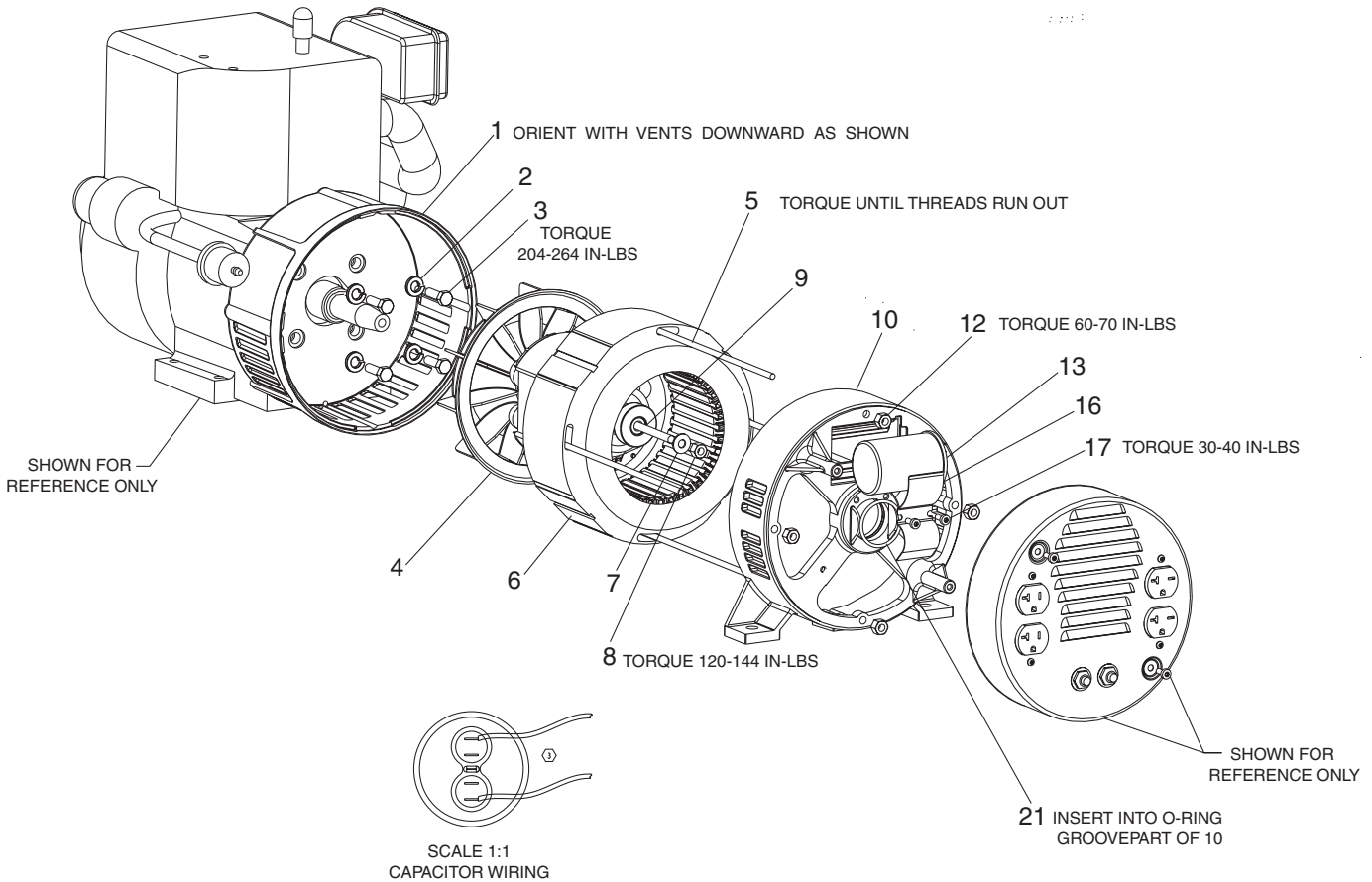


## KEY

KEY NO.	PART NUMBER	DESCRIPTION
1	91895680	SCREW 1/4 - 20 X .75
2	Z-GS-0795	TANK FUEL 7GALLON
3	GS-0443	CAP FUEL TANK
4	Z-GS-0225	HOSE FUEL
5	GS-0227	CLAMP FUEL .50
6	GS-0446	DRAIN COCK GROMMET
7	GS-0437	FUEL SHUTOFF VALVE
8	GS-0600	ASSEMBLY GENERATOR
9	GS-0077	COVER END
10	SSF-553-1	SCREW 10-24 X 9/16
11	GS-0492	SPACER 5/16
12	SSN-1014-ZN	WASHER .339/.344 ID 1 1/2
13	SSF-8111-ZN	NUT LOCK 3/8-16 WHIZ LOCK
14	GS-0117	LUG GROUND
15	SS-12-CD	SCREW CAP 5/16-18 X 3/4
16	SSF-3140-ZN	SCREW 3/8-16X1 HEX FLANGE
17	SSF-8150	NUT HEX WIZ LOCK FLANGE
18	GS-0033	ISOLATOR VIBRATION
19	SSN-1619-ZN	WASHER LOCK EXTERNAL TOOTH
20	GS-0118	STRAP GROUND
21	95829230	SCREW HEX CAP 5/16-18
22	GS-0239	ENGINE 10HP
23	Z-D20235	ASSEMBLY FRAME
24	GS-0432-1	SHIELD HEAT
25	SSF-605	SCREW HEX CAP 5/16-18 X 1
32	GS-0753	ASSEMBLY PANEL
33	SSN-60-ZN	WASHER
34	SSN-632	WASHER .875 OD .375 ID

# BS500

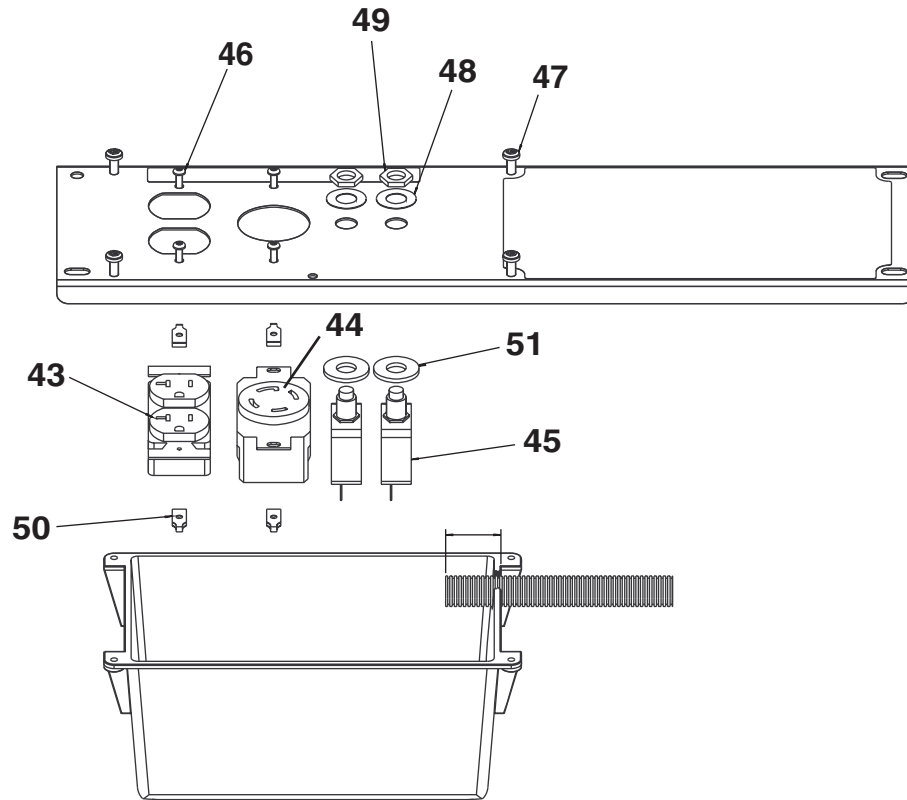
## GS-0600 Generator Assembly



<b>KEY NO.</b>	<b>PART NUMBER</b>	<b>DESCRIPTION</b>
1	GS-0076	ADAPTOR DRIVE END
2	SSN-619	WASHER 3/8 SPLIT LOCK
3	SSF-577	SCREW 3/8" - 16X1 HHS CAP
4	Z-GS-0410-1	ASSY ROTOR
5	GS-0415	BOLT STATOR THRU
6	Z-GS-0601	ASSY STATOR
7	SS-6506-CD	WASHER FLAT 11/16 OD X 11
8	SSF-576	NUT 5/16-24 HEX W/KEPS
9	GS-0419-1	BOLT ROTOR THRU
10	Z-GS-0861	BEARING SUPPORT O RING
12	SSF-575	NUT 1/4"-20 HEX W/KEPS
13	GS-0592	CAPACITOR
16	GS-0595	BRACKET CAPACITOR
17	SSF-553-1	SCREW 10-24 X 9/16
21	GS-0862	O-RING ROTOR BEARING

# BS500

## GS-0753 Panel Assembly



### KEY

<b>KEY NO.</b>	<b>DESCRIPTION</b>	<b>PART NUMBER</b>
43	120V/20A DUPLEX RECEPTACLE (20A)	GS-0019
44	4 PRONG TWISTLOCK	GS-0445
45	CIRCUIT BREAKER 125/250V/20A	GS-0025
46	SCREW #6 - 32 x .5 TORX	SSF-583
47	SCREW, 10 - 9 X .50 PLASTITE	SSF-3156
48	SWITCH FACE PLATE RESET	GS-0207
49	NUT, HEX JAM 7/16	SSF-595
50	SPEED NUT #6 - 32	SSF-584
51	WASHER 3/8	SS-1525-CD

### Not Shown

D21679	Operators Manual
D21051	Parts Manual
GS-0113	Engine Manual