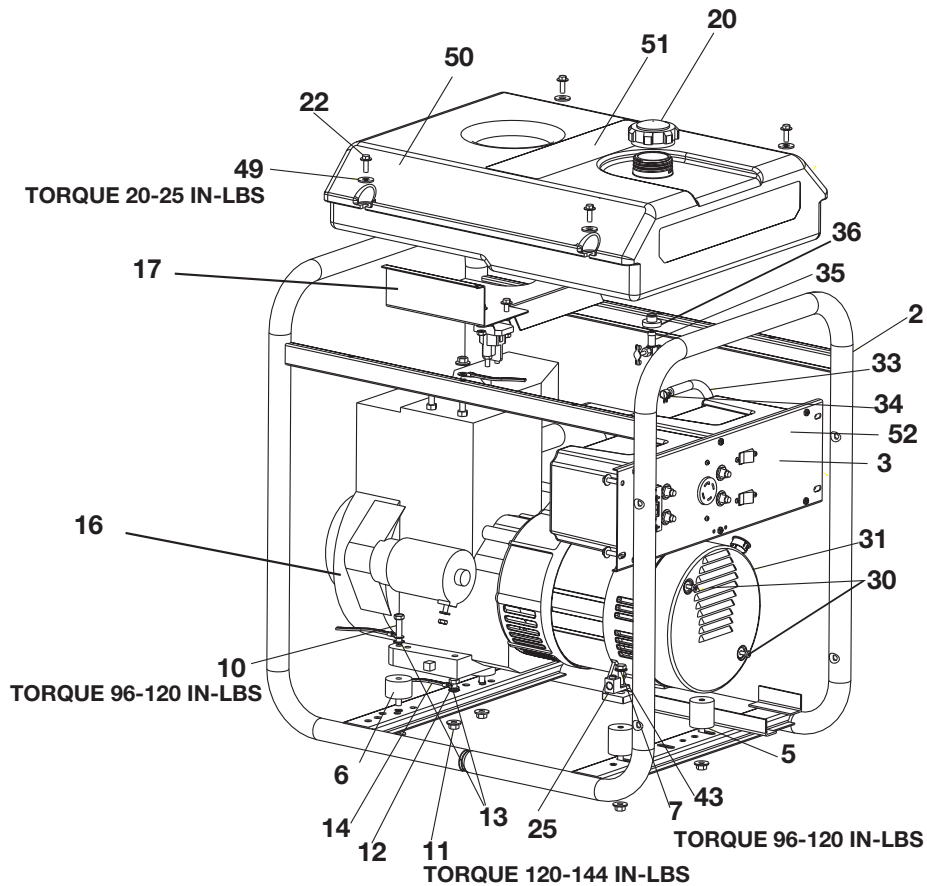


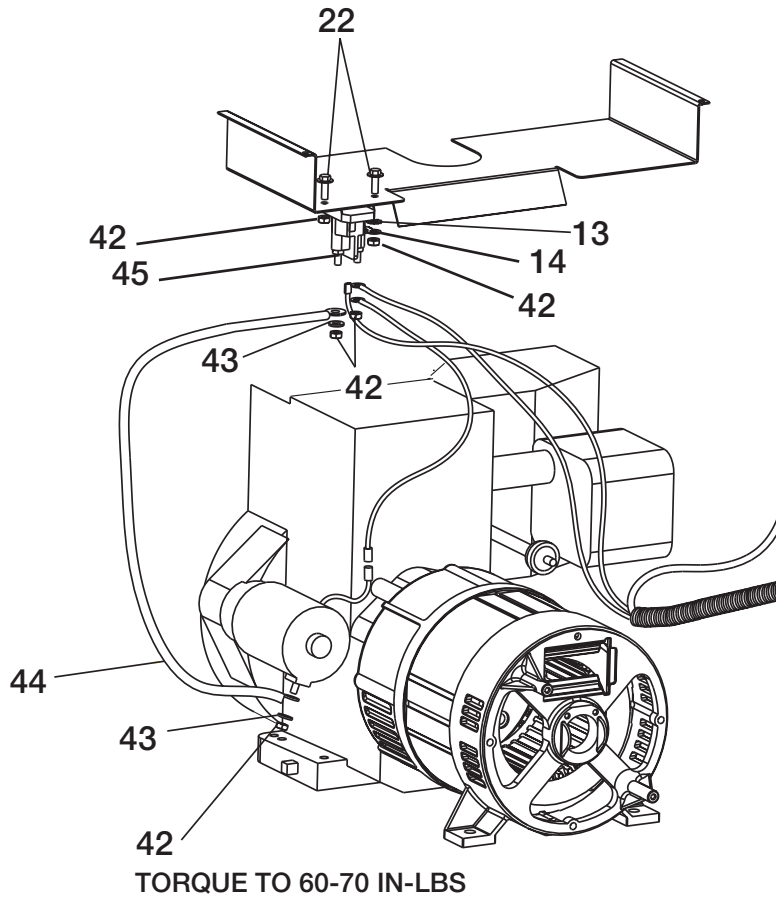
BS600



KEY

| <u>NO.</u> | <u>PART NUMBER</u> | <u>DESCRIPTION</u> |
|------------|--------------------|------------------------------|
| 1 | GS-0795 | TANK FUEL |
| 2 | D20236 | FRAME ASSY |
| 3 | GS-0632-1 | PANEL ASSY |
| 5 | GS-0433 | ISOLATOR |
| 6 | GS-0033 | ISOLATOR VIBRATION |
| 7 | SSF-928 | SCREW HEX WASHER |
| 10 | 95829230 | SCREW HEX CAP 5/16-18UNC |
| 11 | SSF-8150 | NUT HEX WIZ LOCK LG FLANGE |
| 12 | SS-12-CD | SCREW CAP 5/16-18 X 3/4 |
| 13 | SSN-1619-ZN | WASHER LOCK EXTERNAL TOOTH |
| 14 | GS-0118 | STRAP GROUND |
| 16 | - | ENGINE (B&S 256427-1162-E1) |
| 17 | GS-0432-1 | SHIELD HEAT |
| 20 | GS-0443 | CAP FUEL TANK |
| 22 | 91895680 | SCREW 1/4 - 20 X .75 |
| 25 | GS-0117 | LUG GROUND |
| 30 | SSF-553-1 | SCREW 10-24 X 9/16 |
| 31 | GS-0077 | COVER END |
| 33 | GS-0225 | HOSE FUEL |
| 34 | GS-0227 | CLAMP FUEL .50 |
| 35 | GS-0437 | FUEL SHUTOFF VALVE |
| 36 | GS-0446 | DRAIN COCK GROMMET |
| 43 | SS-6506-CD | WASHER FLAT 11/16 OD X 11 |
| 49 | SSN-632 | WASHER .875 OD .375 ID .0 |
| 50 | LA-2911 | LABEL, WARNING |
| 51 | LA-3057-1 | LABEL, OPERATION |
| 52 | D21278 | LABEL, PANEL CONTROL |

BS600

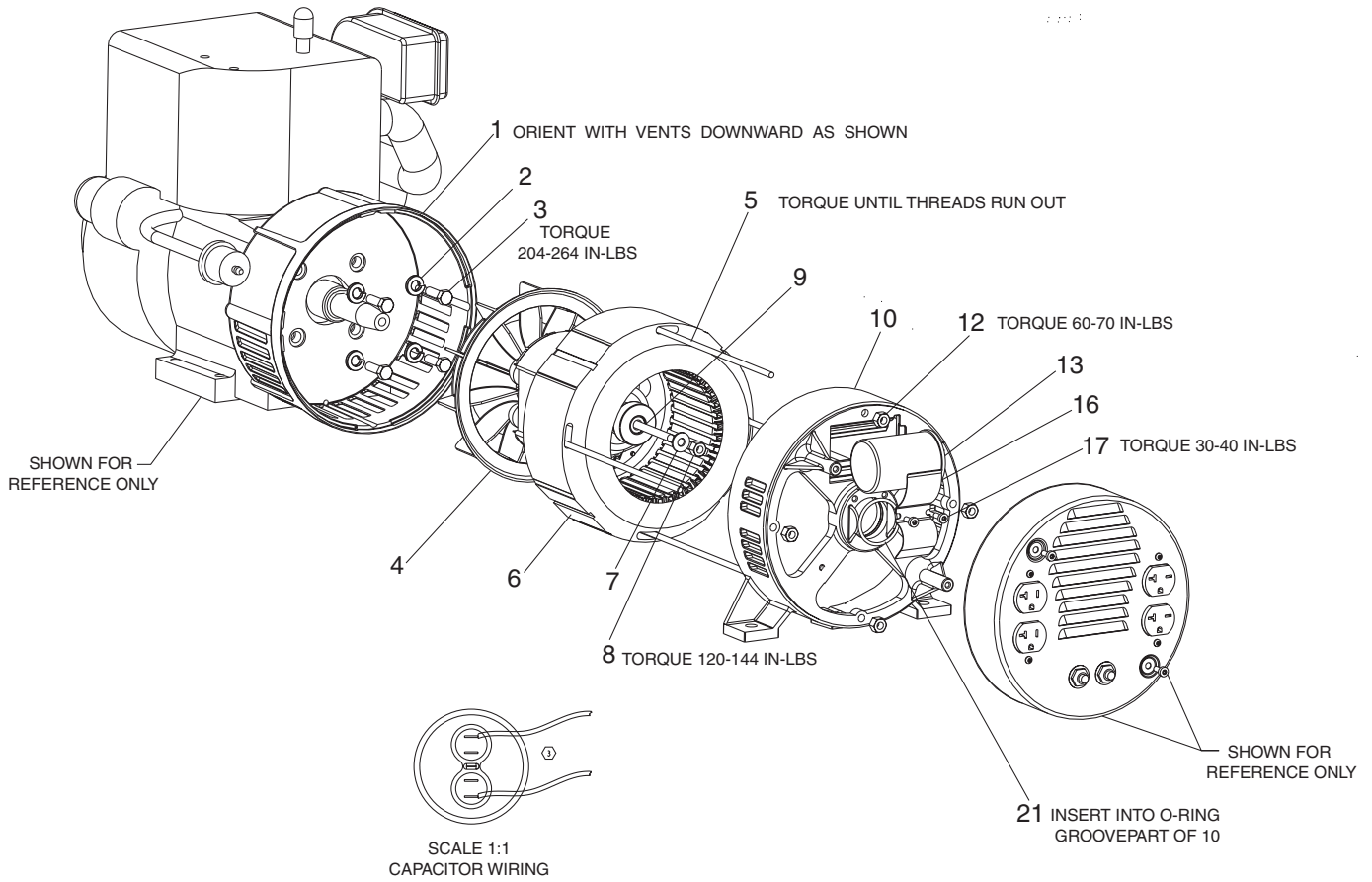


KEY

| <u>NO.</u> | <u>PART NUMBER</u> | <u>DESCRIPTION</u> |
|------------|--------------------|----------------------------|
| 13 | SSN-1619-ZN | WASHER LOCK EXTERNAL TOOTH |
| 14 | GS-0118 | STRAP GROUND |
| 22 | 91895680 | SCREW 1/4 - 20 X .75 |
| 42 | SSF-575 | NUT 1/4"-20 HEX W/KEPS |
| 43 | SS-6506-CD | WASHER FLAT 11/16 OD X 11 |
| 44 | GS-0647 | CABLE SOLENOID TO STARTER |
| 45 | GS-0545 | SOLENOID 300A 12V |

BS600

GS-0636 Generator Assembly



KEY NO.

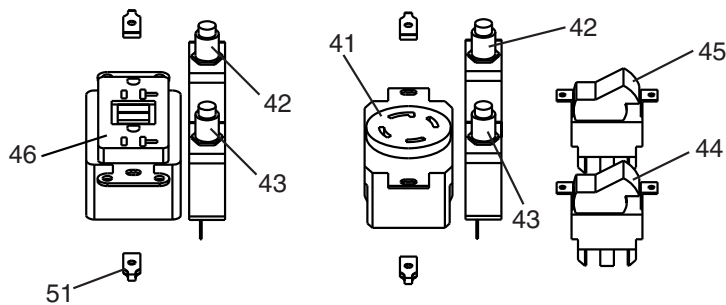
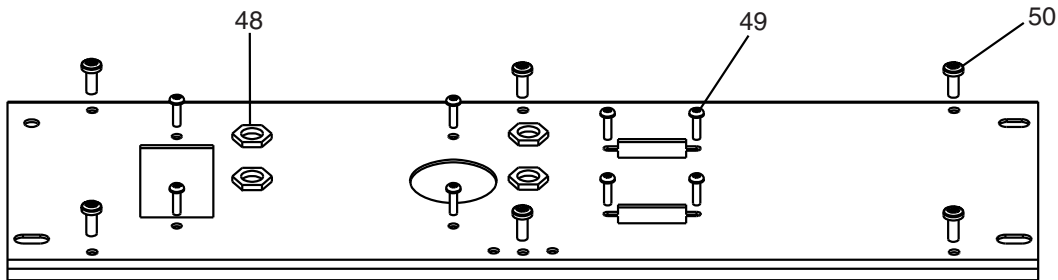
PART NUMBER

DESCRIPTION

| | | |
|----|------------|------------------------|
| 1 | GS-0076 | DRIVE END ADAPTER |
| 2 | SSN-619 | LOCK WASHER 3/8 |
| 3 | SSF-577 | SCREW 3/8" |
| 4 | GS-0637 | ROTOR ASSEMBLY |
| 5 | GS-0640 | STATOR THRU BOLT |
| 6 | GS-0639 | STATOR ASSEMBLY |
| 7 | SS-6506-CD | WASHER 11/16OD x 11/32 |
| 8 | SSF-576 | NUT 5/16-24 |
| 9 | GS-0638 | ROTOR THRU BOLT |
| 10 | GS-0861 | BEARING SUPPORT |
| 12 | SSF-575 | HEX NUT 1/4-20 |
| 13 | GS-0592 | CAPACITOR |
| 16 | GS-0595 | CAPACITOR BRACKET |
| 17 | SSF-553-1 | SCREW 10 - 24 x 9/16 |
| 21 | GS-0862 | O-RING |

BS600

GS-0632-1 Panel Assembly



ATTACH SPEED CLIP PRIOR TO
ASSEMBLY OF DEVICES TO FACE
PLATE

KEY

| KEY NO. | PART NUMBER | DESCRIPTION |
|---------|-------------|-----------------------------|
| 41 | GS-0455 | 4 PRONG TWISTLOCK |
| 42 | GS-0025 | CIRCUIT BREAKER 20 AMP |
| 43 | GS-0645 | CIRCUIT BREAKER 25 AMP |
| 44 | GS-0045 | FULL POWER SWITCH |
| 45 | GS-0046 | ON/OFF(ON/OFF/START) |
| 46 | GS-0644 | GFCI 120 V/20AMP RECEPTACLE |
| 48 | SSF-595 | NUT, HEX JAM |
| 49 | SSF-583 | SCREW #6-32 x 5 TORX |
| 50 | SSF-3156 | SCREW 10-9 x .50 PLASTITE |
| 51 | SSF-584 | NUT SPEED |

Not Shown

| | |
|---------|------------------|
| D21677 | Operators Manual |
| D20220 | Parts Manual |
| GS-0113 | Engine Manual |