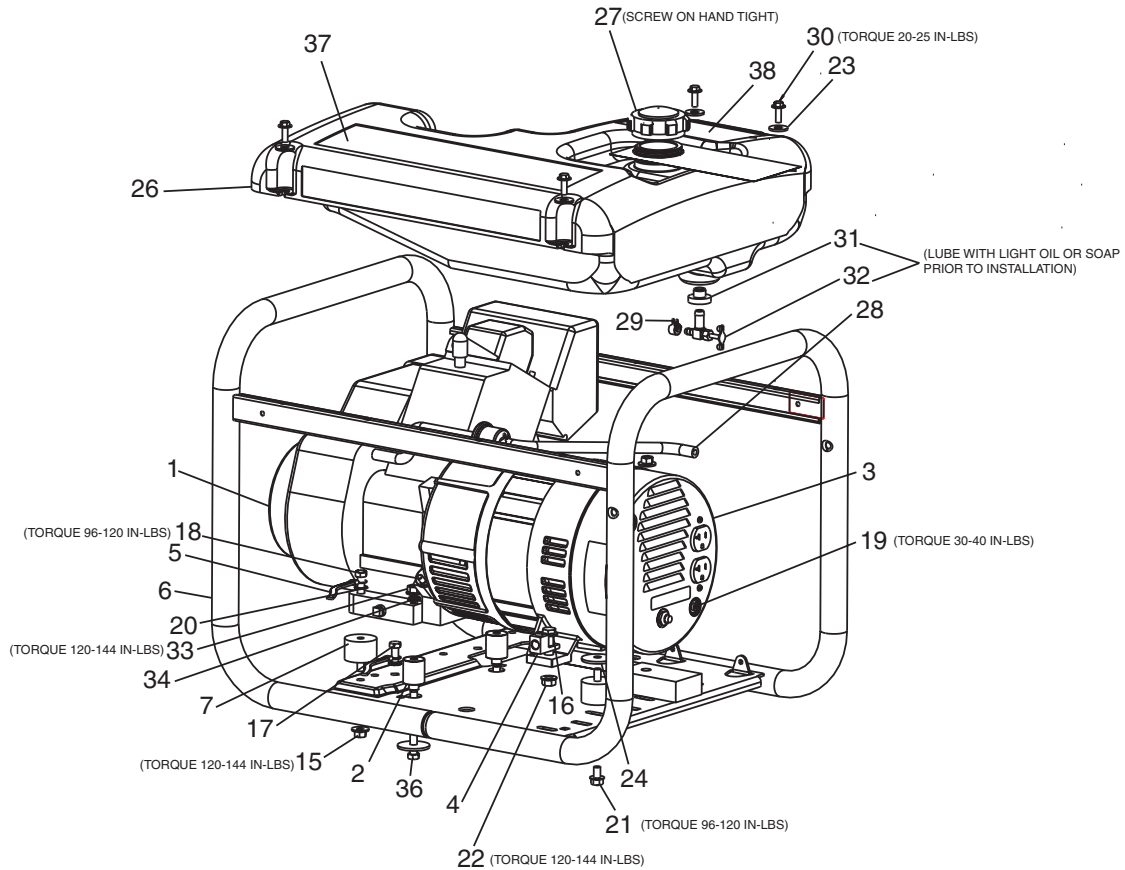


CTE300



KEY NO.

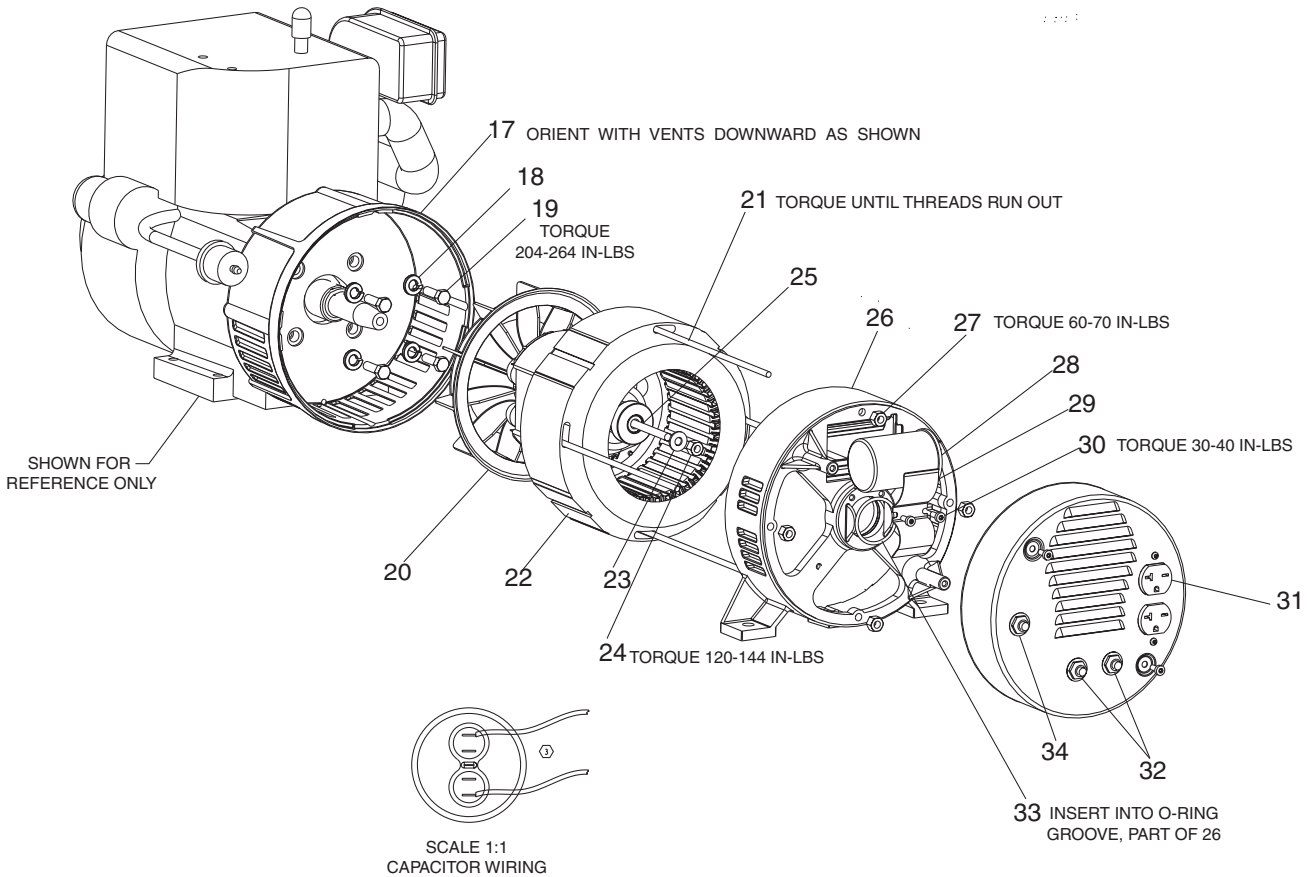
PART NUMBER

DESCRIPTION

1	-	ENGINE (Model #OHH60-71148C)
2	GS-0855	RESTRICTOR
3	GS-0891	ENDCOVER
4	GS-0117	GROUND LUG
5	GS-0118	GROUND STRAP
6	D20234	FRAME ASSEMBLY
7	GS-0033	ISOLATORS
15	SSF-8150	NUT HEX WIZ LOCK
16	SSF-3140-ZN	SCREW
17	SS-12-CD	CAP SCREW 5/16-18 X 3/4
18	SSF-605	SCREW, CAP 5/16-18 x 1.25
19	SSF-553-1	SCREW #10-24 x 1
20	SSN-1619-ZN	LOCK WASHER
21	SSF-549	SCREW 5/16-18 x 3/4
22	SSF-8111-ZN	LOCK NUT 3/8-16
23	SSN-632	WASHER, .875 OD .375 ID
24	SSN-1014-ZN	WASHER 3/8
26	GS-0650-1	FUEL TANK
27	GS-0443	FUEL CAP
28	GS-0225	FUEL HOSE
29	GS-0227	FUEL CLAMP
30	91895680	SCREW, 1/4-20 X .75
31	GS-0446	DRAINCOCK
32	GS-0437	FUEL SHUTOFF VALVE
33	SS-656-CD	NUT 5/16-18 HEX
34	SS-1503-CD	LOCK WASHER
36	SSF-550-ZN	SCREW 5/16-18 X 3.00
37	LA-2911	LABEL, WARNING
38	LA-3220	LABEL, OPERATION

CTE300

GS-0656 Generator Assembly



KEY

NO.	PART NUMBER	DESCRIPTION
17	GS-0558	DRIVE END ADAPTER
18	SS-1503-CD	LOCK WASHER 3/8
19	SSF-616-ZN	CAP SCREW 5/16 - 24X1
20	GS-0658	ROTOR ASSEMBLY
21	GS-0415	STATOR THRU BOLT
22	GS-0657	STATOR ASSEMBLY
23	SS-6506-CD	WASHER 11/16OD x 11/32
24	SSF-576	NUT 5/16-24
25	GS-0661	ROTOR THRU BOLT
26	GS-0861	BEARING SUPPORT
27	SSF-575	HEX NUT 1/4-20
28	GS-0592	CAPACITOR
29	GS-0595	CAPACITOR BRACKET
30	SSF-553-1	SCREW 10 - 24 x 9/16
31	GS-0019	RECEPTACLE 120V DUPLEX
32	GS-0025	CIRCUIT BREAKER 20A (2)
33	GS-0862	O-RING
34	GS-0645	CIRCUIT BREAKER 25A (1)

Not Shown

D21677	Operators Manual
D20200	Parts Manual
GS-0660	Engine Manual