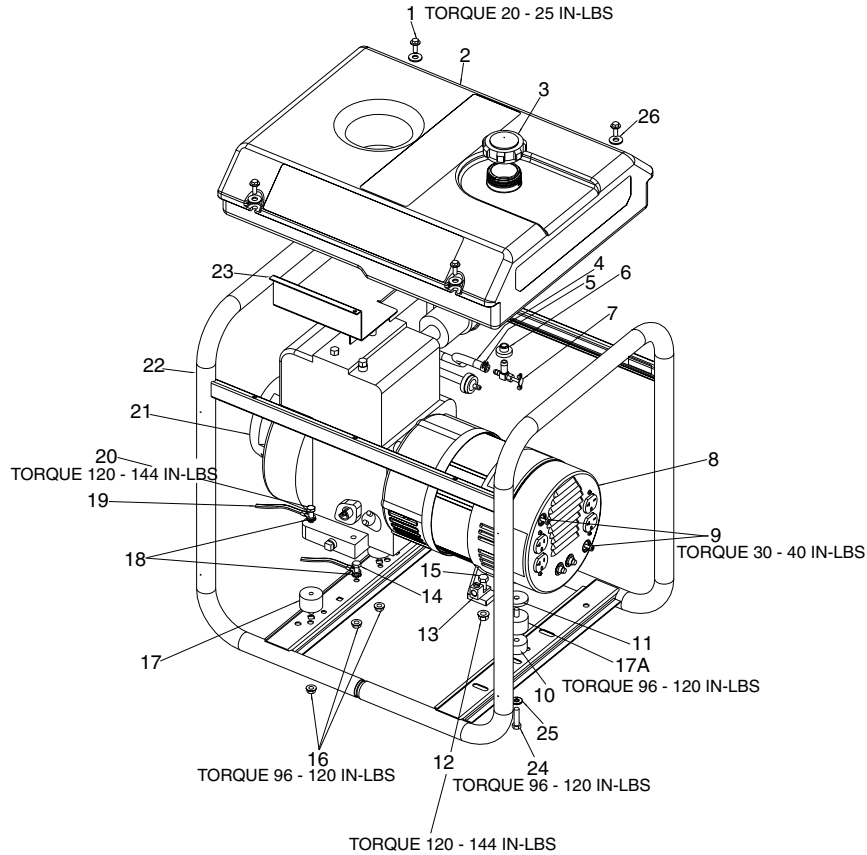


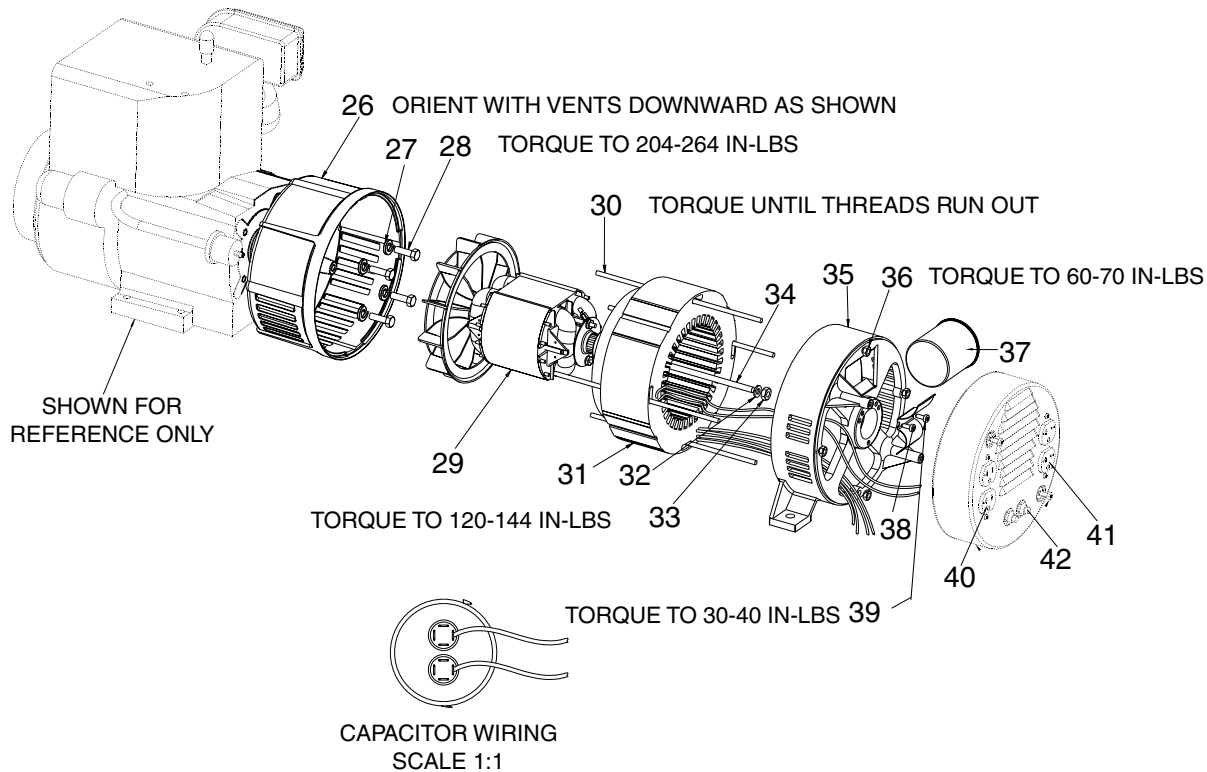
# GB5000-4



## KEY

| <u>KEY NO.</u> | <u>DESCRIPTION</u>             | <u>PART NUMBER</u> |
|----------------|--------------------------------|--------------------|
| 1              | FUEL TANK SCREWS               | 91895680           |
| 2              | FUEL TANK                      | GS-0444            |
| 3              | FUEL CAP                       | GS-0443            |
| 4              | FUEL HOSE                      | GS-0225            |
| 5              | FUEL LINE CLAMP                | GS-0227            |
| 6              | DRAINCOCK GROMMET              | GS-0446            |
| 7              | TANK DRAINCOCK                 | GS-0437            |
| 8              | ENDCOVER                       | GS-0154            |
| 9              | SCREW #10-24 x 9/16            | SSF-553-1          |
| 10             | REAR ISOLATOR SPACER           | GS-0492            |
| 11             | WASHER .339/.344ID 1-1/2OD     | SSN-1014-ZN        |
| 12             | LOCK NUT 3/8-16                | SSF-8111-ZN        |
| 13             | GROUND LUG                     | GS-0117            |
| 14             | SCREW 5/16-18 x 3/4            | SS-12-CD           |
| 15             | SCREW 3/8-16 x 1               | SSF-3140-ZN        |
| 16             | HEX NUT WHIZ LOCK              | SSF-8150           |
| 17             | ISOLATOR (FRONT)               | GS-0033            |
| 17A            | ISOLATOR (REAR)                | GS-0033            |
| 18             | LOCK WASHER                    | SSN-1619-ZN        |
| 19             | GROUND STRAP                   | GS-0118            |
| 20             | HEX SCREW 5/26-18 x 1.7        | 95829230           |
| 21             | ENGINE (model #19E412-1131-E1) | -                  |
| 22             | FRAME ASSEMBLY                 | GS-0440-2          |
| 23             | HEAT SHIELD                    | GS-0432-1          |
| 24             | SCREW 3/8-16 x 3/4             | SSF-605            |
| 25             | WASHER                         | SSN-60-ZN          |
| 26             | WASHER                         | SSN-632            |

# GB5000-4



| <b>KEY NO.</b> | <b>DESCRIPTION</b>      | <b>PART NUMBER</b> |
|----------------|-------------------------|--------------------|
| 26             | DRIVE END ADAPTER       | GS-0076            |
| 27             | LOCK WASHER 3/8         | SSN-619            |
| 28             | CAP SCREW 3/8-16 x 1    | SSF-577            |
| 29             | ROTOR ASSEMBLY          | GS-0410-1          |
| 30             | STATOR THRU BOLT        | GS-0415            |
| 31             | STATOR ASSEMBLY         | GS-0601            |
| 32             | WASHER 11/16 OD x 11/32 | SS-6506-CD         |
| 33             | NUT 5/16-24             | SSF-576            |
| 34             | ROTOR THRU BOLT         | GS-0419-1          |
| 35             | BEARING SUPPORT         | GS-0681            |
| 36             | HEX NUT 1/4-20          | SSF-575            |
| 37             | CAPACITOR               | GS-0592            |
| 38             | CAPACITOR BRACKET       | GS-0595            |
| 39             | SCREW 10-32 x 1/2       | SSF-553            |
| 40             | 120V DUPL. RECEPTACLE   | GS-0019            |
| 41             | 240V DUPL. RECEPTACLE   | GS-0020            |
| 42             | CIRCUIT BREAKER(20A)    | GS-0025            |

**ITEM NOT SHOWN**

|                              |         |
|------------------------------|---------|
| *DIODE(S)                    | GS-0082 |
| O-RING (included in GS-0681) | GS-0682 |

\*Refer to Page 4 in the Generator Repair Section for further **diode** information.

**Not Shown**

|             |                  |
|-------------|------------------|
| MG-GENMAN-F | Operators Manual |
| GEN-5000-4  | Parts Manual     |
| GS-0113     | Engine Manual    |