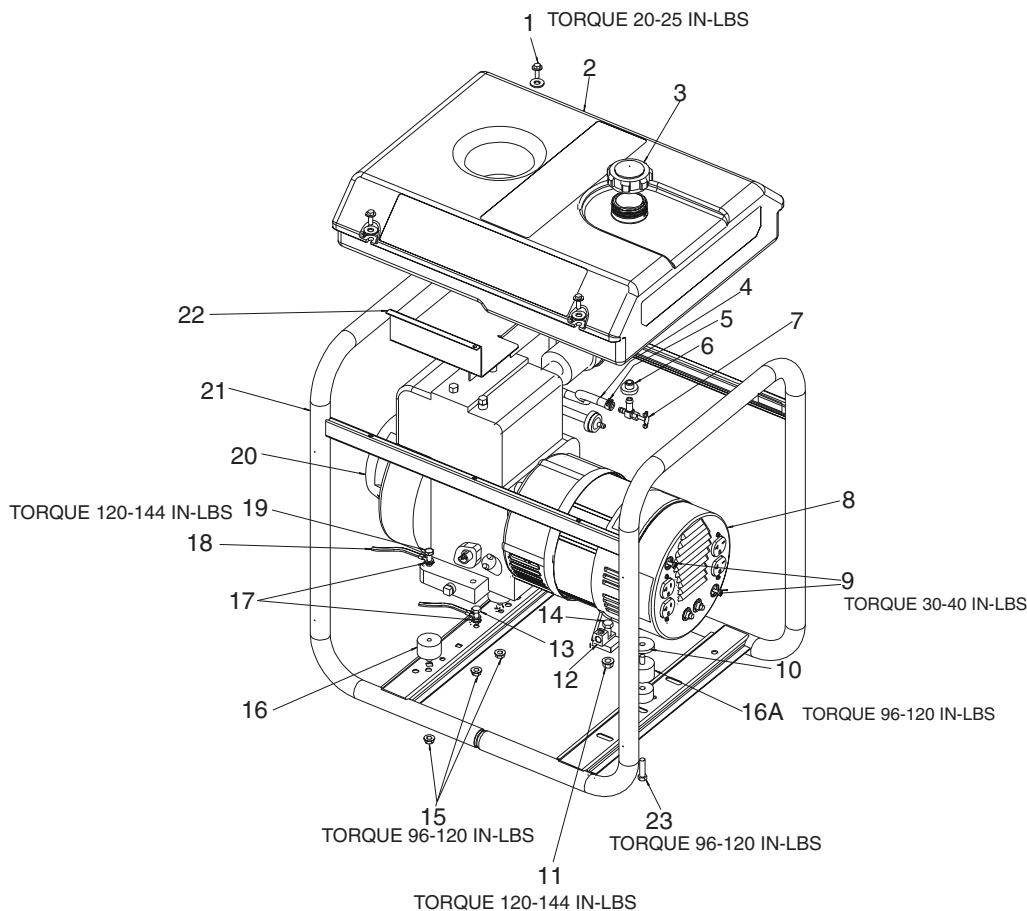


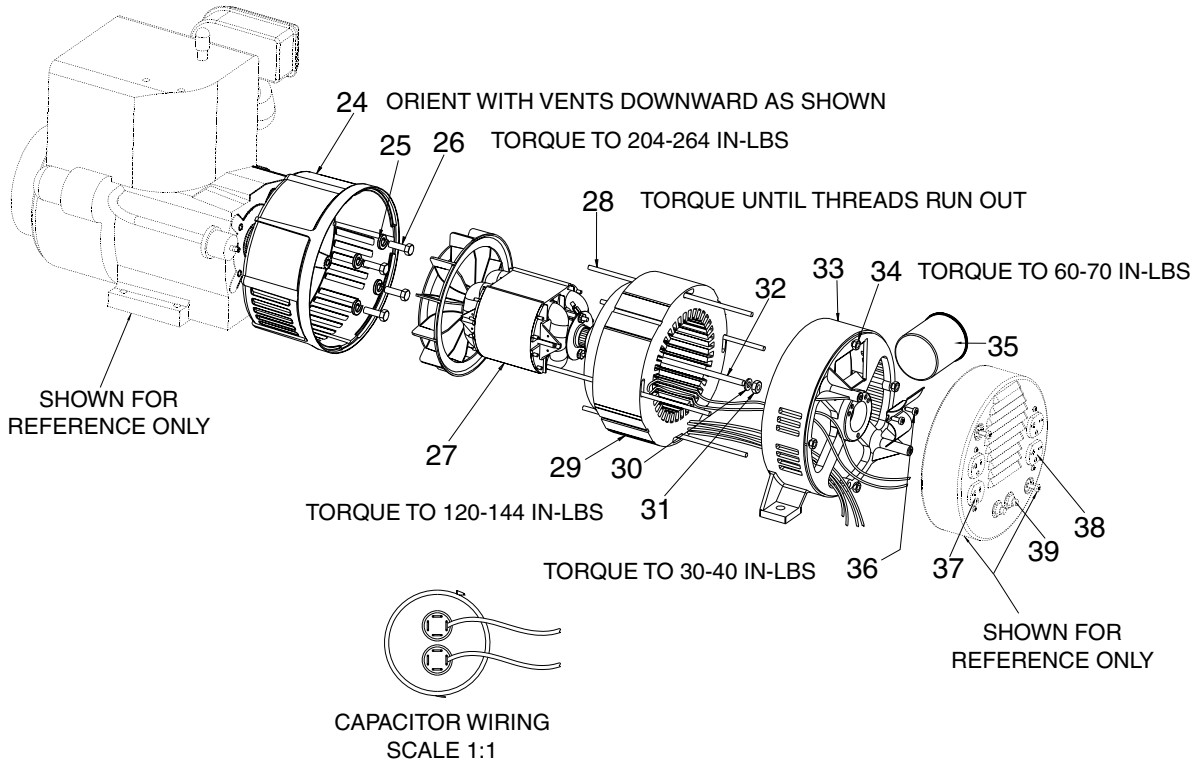
GB5000



KEY

<u>KEY NO.</u>	<u>DESCRIPTION</u>	<u>PART NUMBER</u>
1	FUEL TANK SCREWS	SSF-990
2	FUEL TANK	GS-0027
3	FUEL CAP	GS-0443
4	FUEL HOSE	GS-0225
5	FUEL LINE CLAMP	GS-0227
6	DRAINCOCK GROMMET	GS-0446
7	TANK DRAINCOCK	GS-0456
8	ENDCOVER	GS-0079
9	SCREW #10-24 x 1	SSF-573
10	WASHER 3/8	SS-1525-CD
11	LOCK NUT 3/8-16	SSF-8111-ZN
12	GROUND LUG	GS-0117
13	SCREW 5/16-18 x 3/4	SS-12-CD
14	SCREW 3/8-16 x 1	SSF-3140-ZN
15	LOCK NUT 5/16-18	SSF-8150
16	ISOLATOR	GS-0209
16A	ISOLATOR	GS-0034
17	LOCK WASHER	SSN-1619-ZN
18	GROUND STRAP	GS-0118
19	HEX SCREW 5/26-18 x 1.7	95829230
20	ENGINE (model #19E412-1131-E1)	-
21	FRAME ASSEMBLY KIT	K-0544
22	HEAT SHIELD	GS-0030
23	SCREW 3/8-16 x 3/4	SSF-8111-ZN

GB5000 (cont'd)



**KEY
NO.**

DESCRIPTION

PART NUMBER

24	DRIVE END ADAPTER	GS-0076
25	LOCK WASHER 3/8	SSN-619
26	CAP SCREW 3/8-16 x 1	SSF-577
27	ROTOR ASSEMBLY	GS-0478
28	STATOR THRU BOLT	GS-0110
29	STATOR ASSEMBLY	GS-0100-1
30	WASHER 11/16 OD x 11/32	SS-6506-CD
31	NUT 5/16-24	SSF-576
32	ROTOR THRU BOLT	GS-0091
33	BEARING SUPPORT	GS-0681
34	HEX NUT 1/4-20	SSF-575
35	CAPACITOR	GS-0104
36	SCREW 10-32 x 1/2	GS-0107
37	120V DUPL. RECEPTACLE	GS-0019
38	240V DUPL. RECEPTACLE	GS-0020
39	CIRCUIT BREAKER(20A)	GS-0025

ITEM NOT SHOWN

*DIODE(S)	GS-0082
	GS-0081
CABLE TIE	GS-0105
BEARING COVER	GS-0106
O-RING (included in GS-0681)	GS-0682

*Refer to Page 4 in the Generator Repair Section for further **diode** information.

Not Shown

MG-GENAN-F	Operators Manual
GEN-5000	Parts Manual
GS-0113	Engine Manual