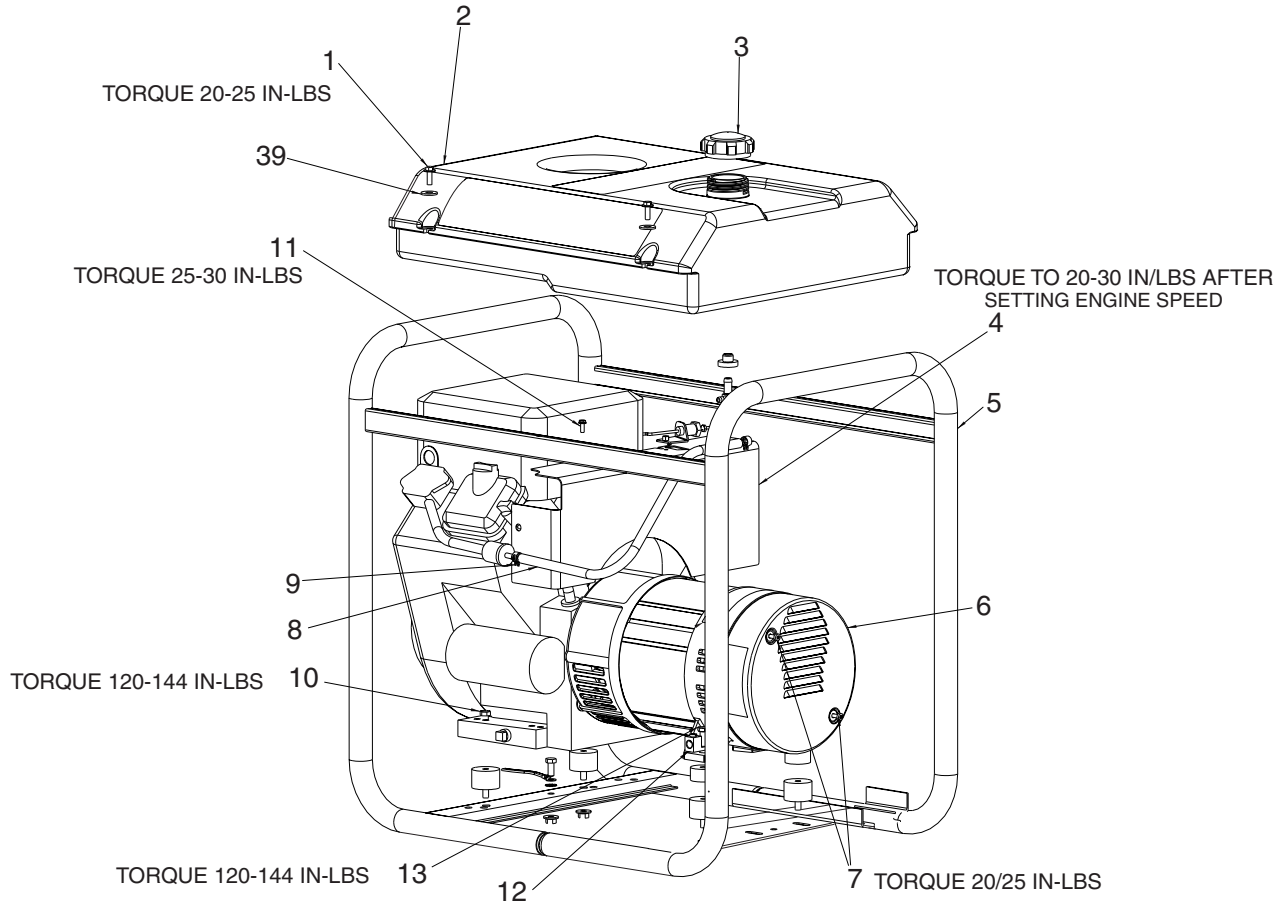


GBV5000-2



KEY NO.

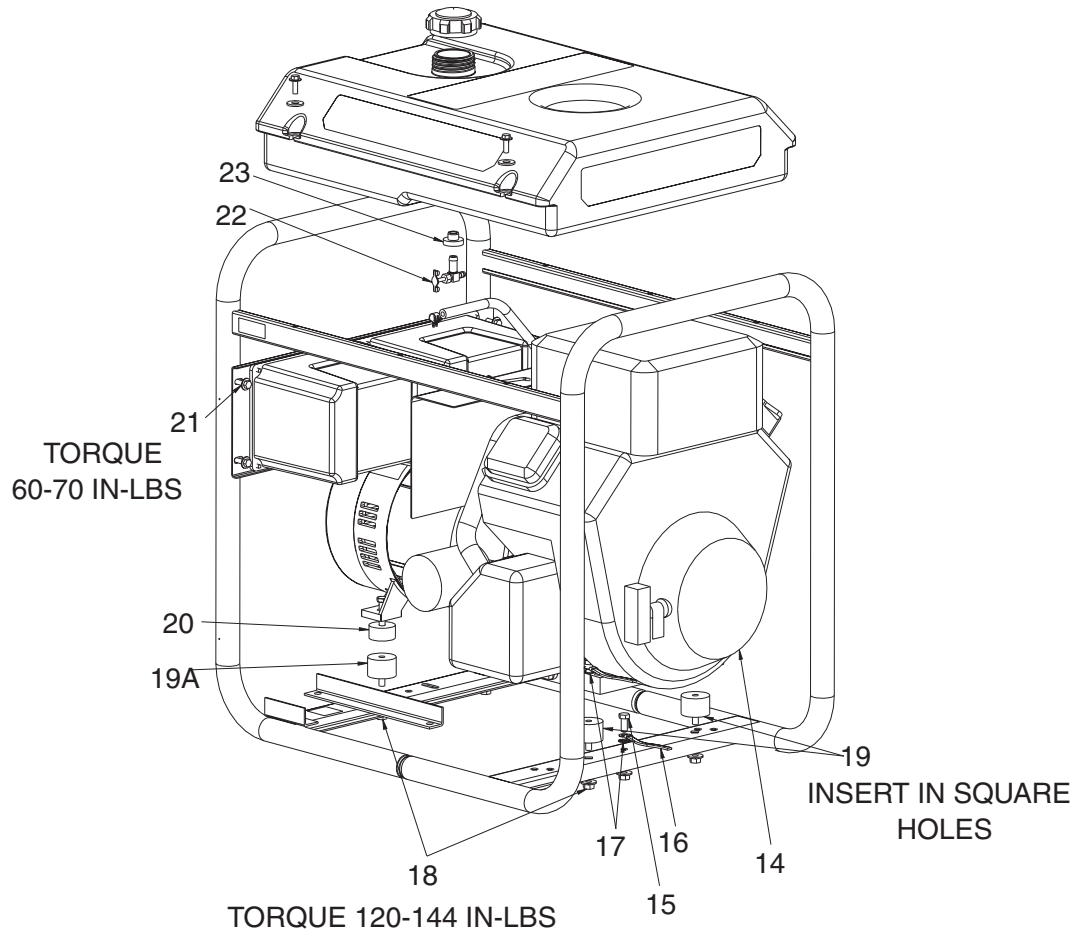
DESCRIPTION

PART NUMBER

1	FUEL TANK SCREWS	91895680
2	FUEL TANK	Z-GS-0795
3	FUEL CAP	GS-0443
4	HEAT SHIELD	GS-0432
5	FRAME ASSEMBLY	Z-GS-0439
6	END COVER	GS-0077
7	SCREW #10-24 x 1	SSF-553-1
8	FUEL HOSE	Z-GS-0225
9	FUEL LINE CLAMP	GS-0227
10	SCREW 5/16-18 UNC x 1.75	95829230
11	SCREW #10-32 x 1/2	GS-0107
12	GROUND LUG	GS-0117
13	SCREW 5/16-18UNC 2A	95829230

This model shows a typical engine drawing. Engine styles may vary.

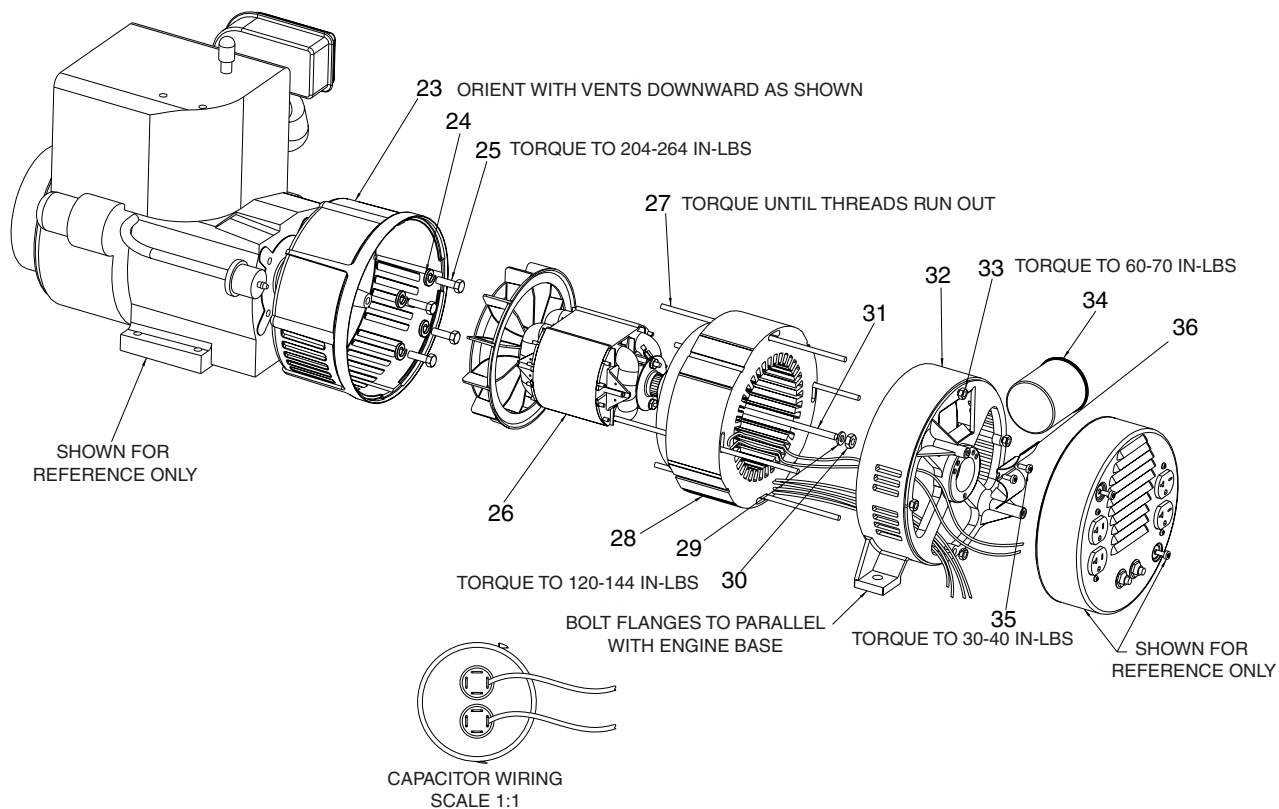
GBV5000-2 (cont'd)



KEY NO.	DESCRIPTION	PART NUMBER
14	ENGINE (model #185437)	GS-0003
15	SCREW 5/16-18 x 3/4	SS-12-CD
16	GROUND STRAP	GS-0118
17	LOCK WASHER	SSN-1619-ZN
18	LOCK NUT 5/16-18	SSF-8150
19	ISOLATOR	GS-0433
19A	ISOLATOR	GS-0433
20	REAR ISOLATOR SPACER	GS-0492
21	SCREW 1/4-20 x 1/2	SSF-585
22	DRAINCOCK	GS-0456
23	DRAINCOCK GROMMET	GS-0446

This model shows a typical engine drawing. Engine styles may vary.

GBV5000-2 (cont'd)



KEY

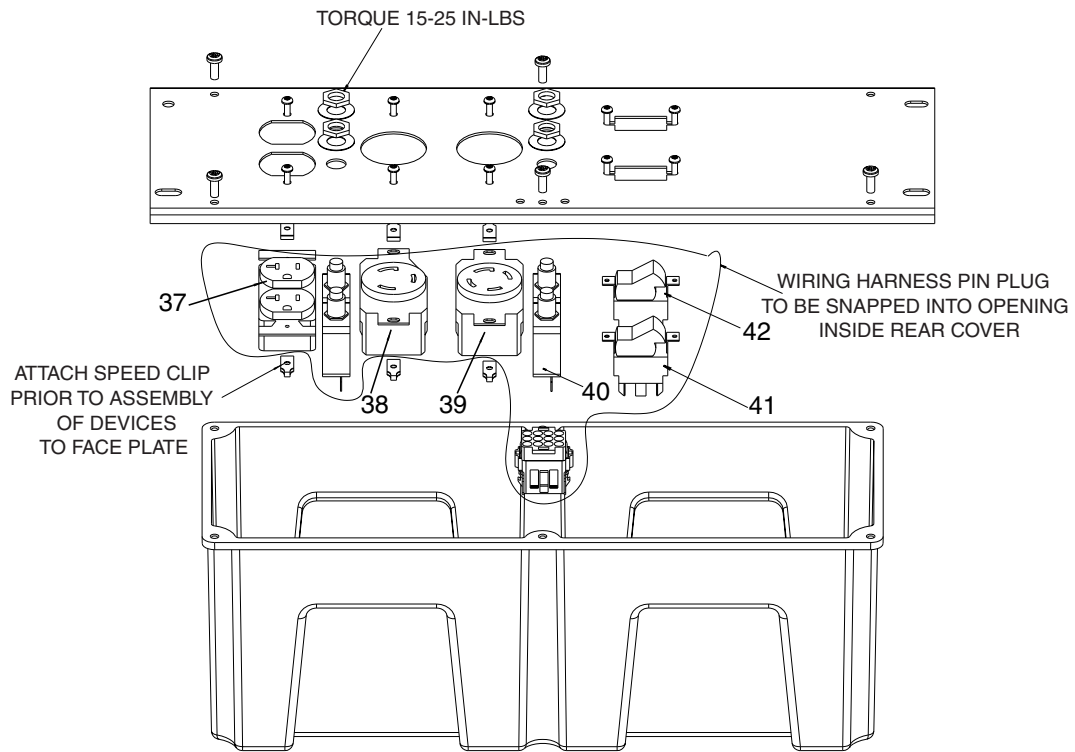
<u>KEY NO.</u>	<u>DESCRIPTION</u>	<u>PART NUMBER</u>
23	DRIVE END ADAPTER	GS-0076
24	LOCK WASHER 3/8	SSN-619
25	CAP SCREW 3/8-16 x 1	SSF-577
26	ROTOR ASSEMBLY	Z-GS-0588
27	STATOR THRU BOLT	GS-0110
28	STATOR ASSEMBLY	Z-GS-589
29	WASHER 11/16OD x 11/32	SS-6506-CD
30	NUT 5/16-24	SSF-576
31	ROTOR THRU BOLT	GS-0091-1
32	BEARING SUPPORT	Z-GS-0861
33	HEX NUT 1/4-20	SSF-575
34	CAPACITOR	GS-0592
35	SCREW	SSF-553
36	CAPACITOR BRACKET	GS-0595

ITEM NOT SHOWN

*DIODES	GS-0082
O-RING (included in GS-0861)	GS-0862

*Refer to Page 4 in the Generator Repair Section for further **diode** information.

GBV5000-2 (cont'd)



KEY NO.	DESCRIPTION	PART NUMBER
	COMPLETE PANEL ASSEMBLY	GS-0477
37	120V DUPL. RECEPTACLE	GS-0019
38	3 PRONG TWISTLOCK	GS-0480
39	4 PRONG TWISTLOCK	GS-0445
40	CIRCUIT BREAKER	Z-GS-0025
41	FULL POWER SWITCH	GS-0045
42	ON/OFF(ON/OFF/START)	GS-0046

Not Shown

MG-GENMAN-F	Operators Manual
GEN-V5000-1	Parts Manual
GS-0114	Engine Manual