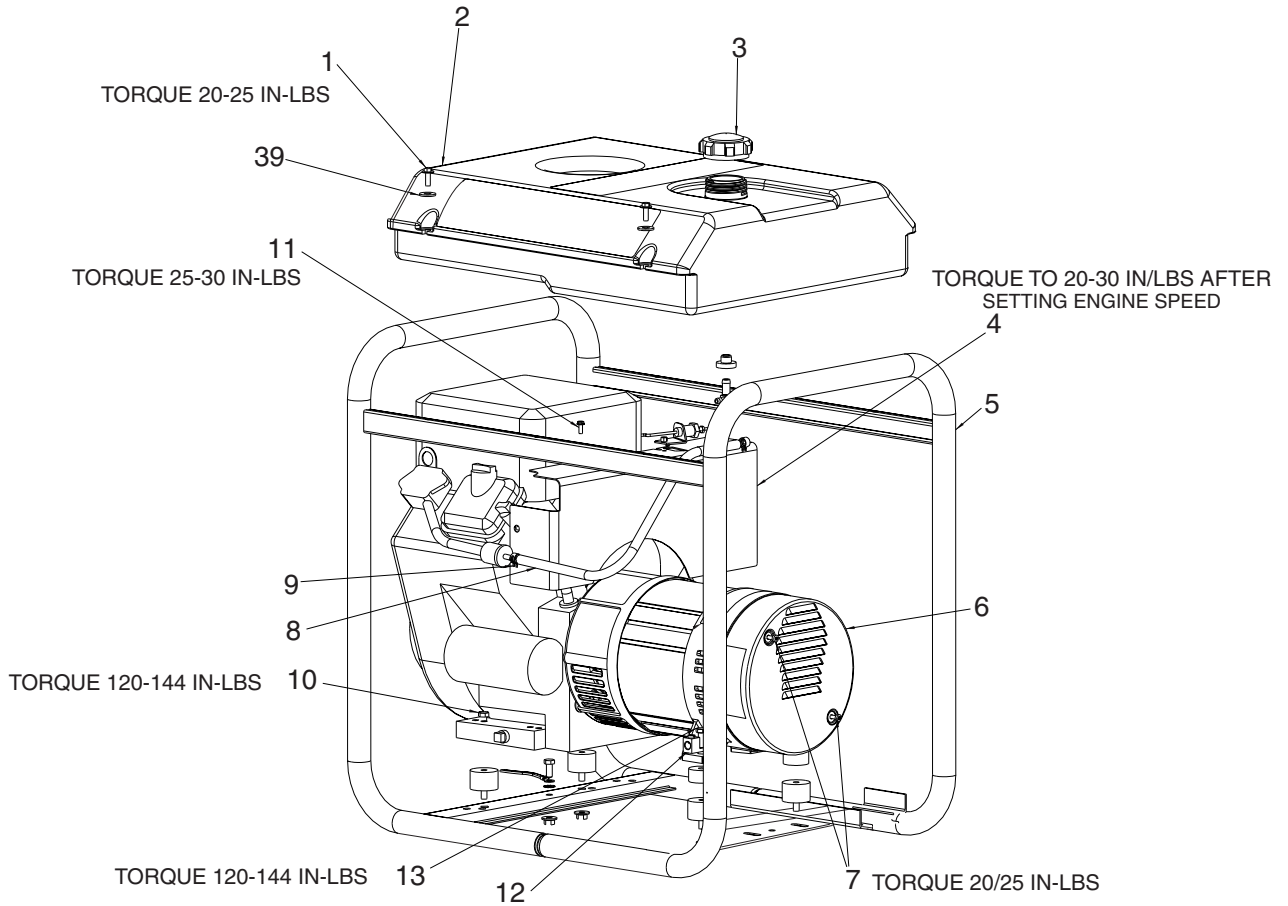


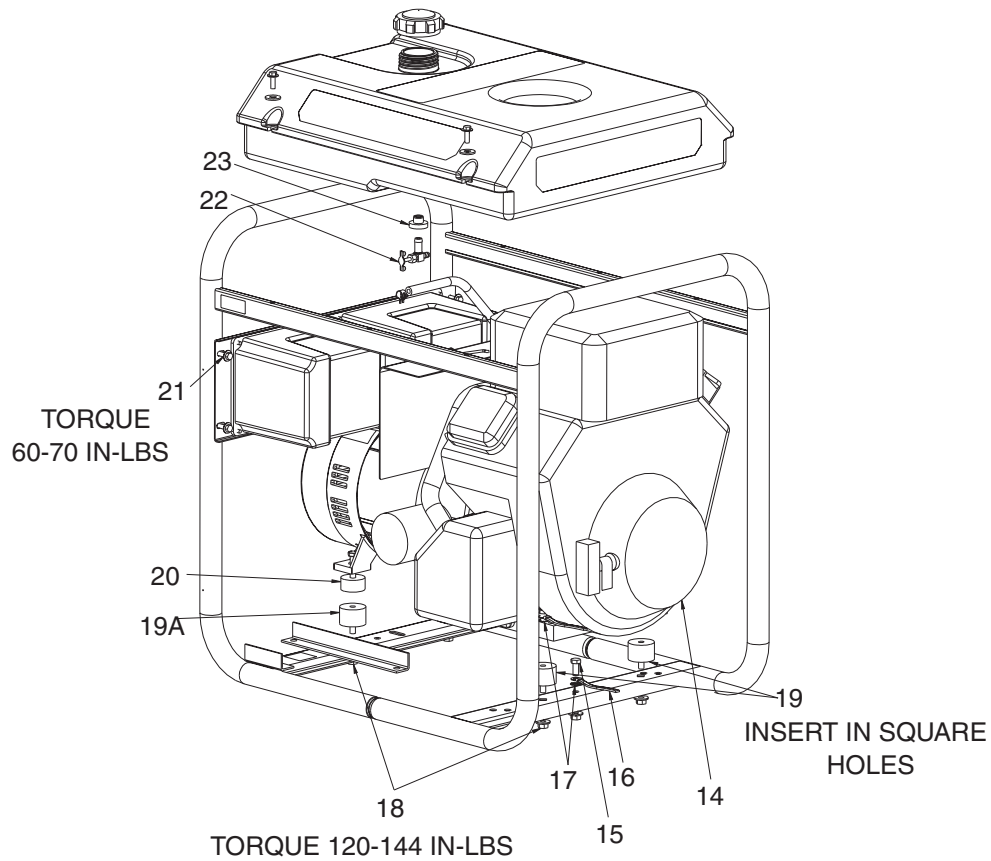
GBV7010-3



KEY NO.

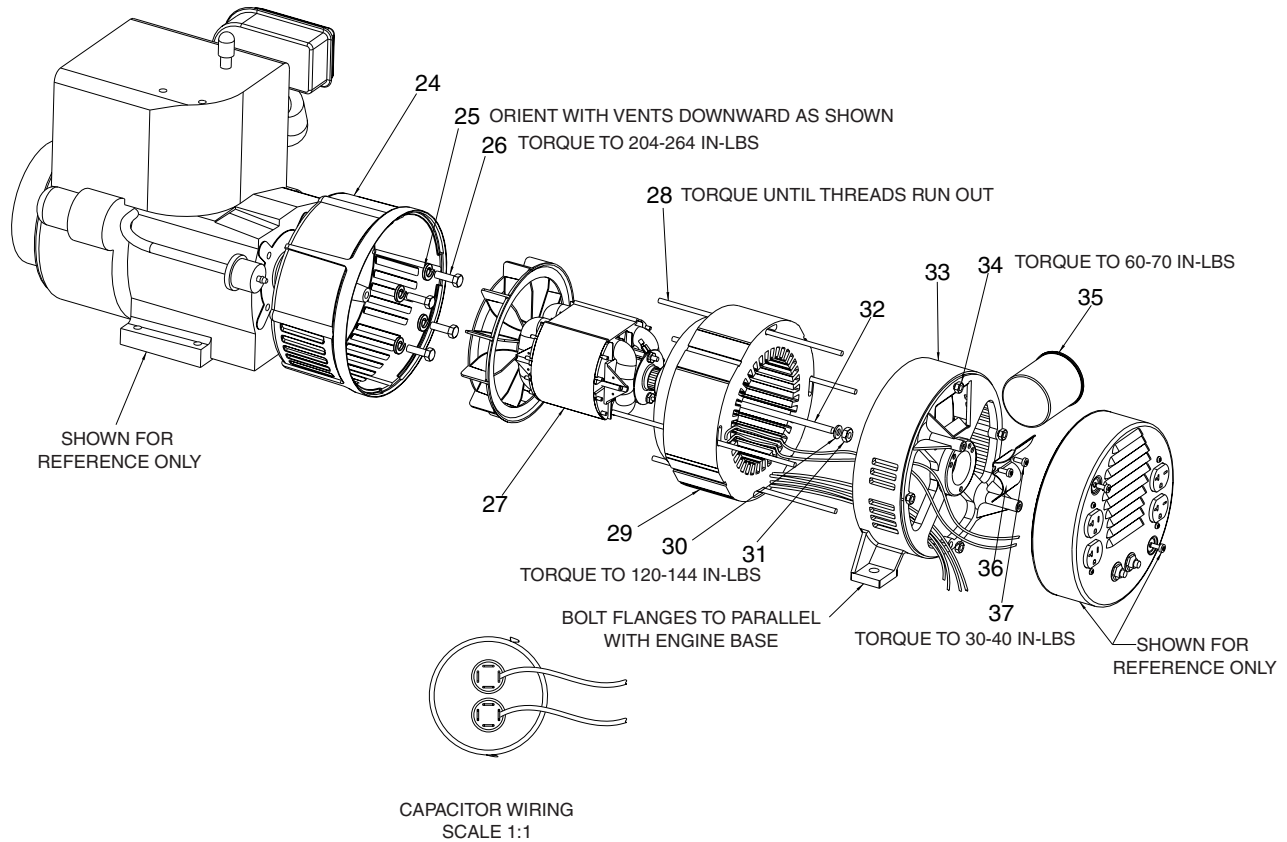
KEY NO.	DESCRIPTION	PART NUMBER
1	FUEL TANK SCREWS	91895680
2	FUEL TANK	Z-GS-0795
3	FUEL CAP	GS-0443
4	HEAT SHIELD	GS-0271
5	FRAME ASSEMBLY	Z-GS-0468
6	END COVER	GS-0077
7	SCREW #10-24 x 1	SSF-553-1
8	FUEL HOSE	Z-GS-0225
9	FUEL LINE CLAMP	GS-0227
10	SCREW 5/16-18 UNC x 1.75	SSF-605
11	SCREW #10-32 x 1/2	GS-0107
12	GROUND LUG	GS-0117
13	SCREW 5/16-18UNC 2A	95829230
39	WASHER	SSN-632

GBV7010-3 (cont'd)



KEY NO.	DESCRIPTION	PART NUMBER
14	ENGINE (model# 294447-1257-E1)	-----
15	SCREW 5/16-18 x 3/4	SS-12-CD
16	GROUND STRAP	GS-0118
17	LOCK WASHER	SSN-1619-ZN
18	LOCK NUT 5/16-18	SSF-8150
19	ISOLATOR	GS-0033
19A	ISOLATOR	GS-0033
20	REAR ISOLATOR SPACER	GS-0492
21	SCREW 1/4-20 x 3/4	91895680
22	DRAINCOCK	GS-0437
23	DRAINCOCK GROMMET	GS-0446

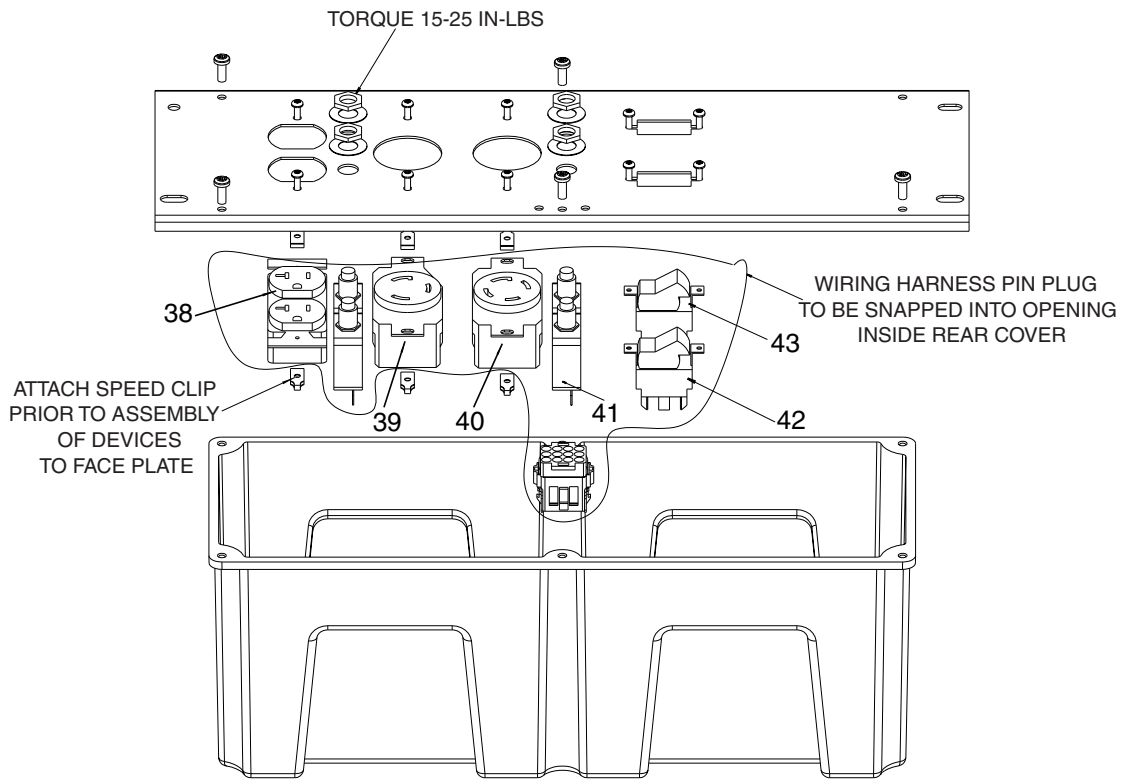
GBV7010-3 (cont'd)



KEY NO.	DESCRIPTION	PART NUMBER
24	DRIVE END ADAPTER	GS-0076
25	LOCK WASHER 3/8	SSN-619
26	CAP SCREW 3/8-16 x 1	SSF-577
27	ROTOR ASSEMBLY	Z-GS-0571
28	STATOR THRU BOLT	GS-0273
29	STATOR ASSEMBLY	Z-GS-0572
30	WASHER 11/16OD x 11/32	SS-6506-CD
31	NUT 5/16-24	SSF-576
32	ROTOR THRU BOLT	GS-0274
33	BEARING SUPPORT	Z-GS-0861
34	HEX NUT 1/4-20	SSF-575
35	CAPACITOR	GS-0592
36	CAPACITOR BRACKET	GS-0595
37	SCREW 10-32	SSF-553-1
<i>ITEM NOT SHOWN</i>		
	*DIODES	GS-0082
	O-RING (included in GS-0861)	GS-0862

*Refer to Page 4 in the Generator Repair Section for further **diode** information.

GBV7010-3 (cont'd)



KEY

<u>NO.</u>	<u>DESCRIPTION</u>	<u>PART NUMBER</u>
38	120V DUPL. RECEPTACLE	GS-0019
39	3 PRONG TWISTLOCK	GS-0021
40	4 PRONG TWISTLOCK	GS-0455
41	CIRCUIT BREAKER	Z-GS-0026
42	FULL POWER SWITCH	GS-0045
43	ON/OFF(OFF/OFF/START)	GS-0046

Not Shown

MG-GENMAN-F	Operators Manual
GEN-7010-2	Parts Manual
GS-0624	Engine Manual
GS-0476	Complete Panel Assembly