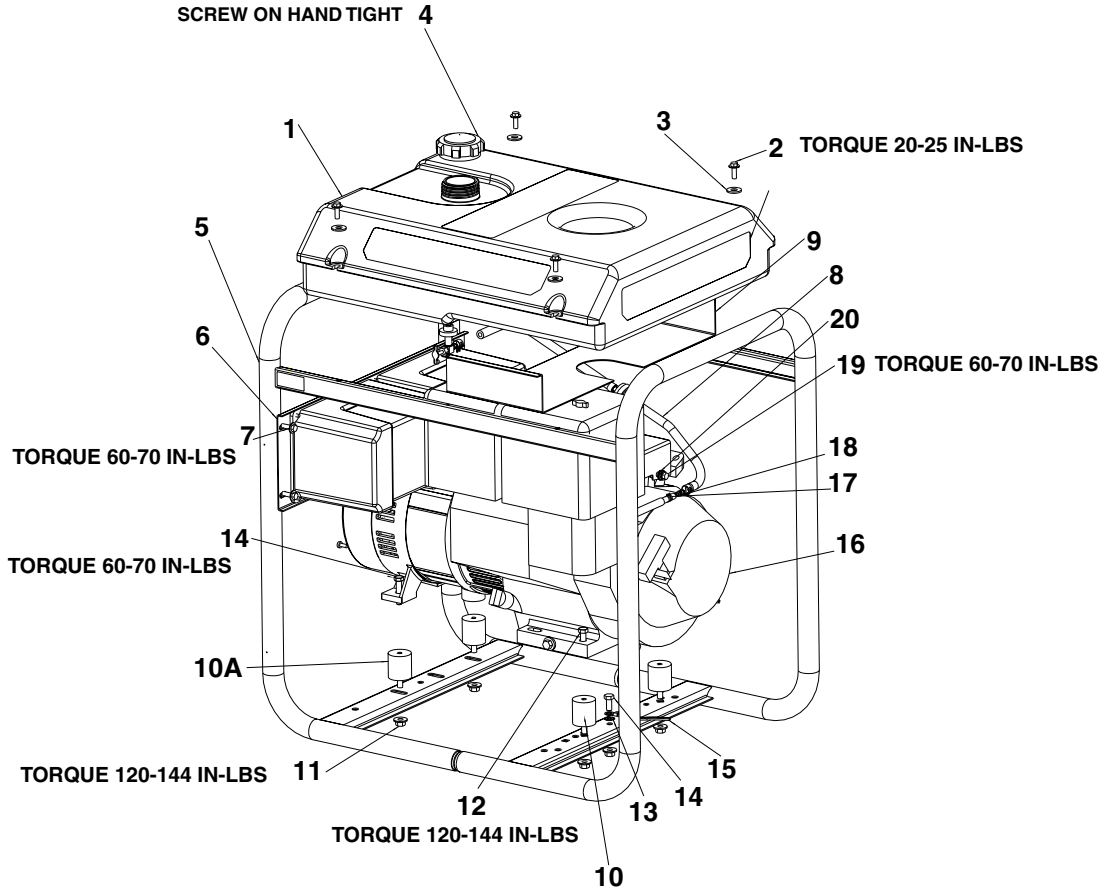


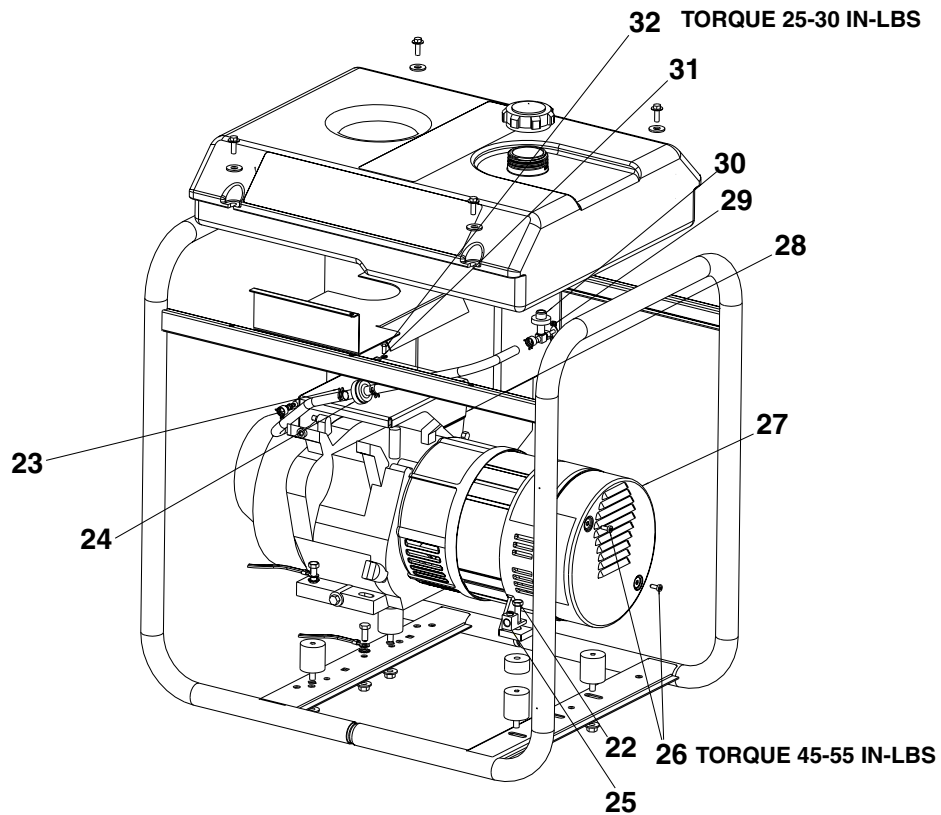
# GHV4250C



## KEY

KEY NO.	DESCRIPTION	PART NUMBER
1	FUEL TANK	GS-0795
2	FUEL TANK SCREWS	91895680
3	WASHER	SSN-632
4	FUEL CAP	GS-0443
5	FRAME ASSEMBLY	GS-0823
6	PANEL ASSEMBLY	GS-0844
7	SCREW 1/4-20 x 3/4	91895680
8	FUEL HOSE	GS-0225
9	HEAT SHIELD	GS-0432-1
10	ISOLATOR	GS-0033
10A	ISOLATOR	GS-0433
11	LOCK NUT 5/16-18	SSF-8150
12	SCREW 5/16-18 x 1	SSF-605
13	LOCK WASHER	SSN-1619-ZN
14	SCREW 5/16-18 x 3/4	SS-12-CD
15	GROUND STRAP	GS-0118
16	ENGINE (model # GX270VWN2)	-
17	HOSE CLAMP .301 ID	GS-0560
18	UNION REDUCER 1/4 TO 3/8	GS-0535
19	SCREW 1/4 x 5/8	39124607
20	LOCK WASHER	SS-1503-CD

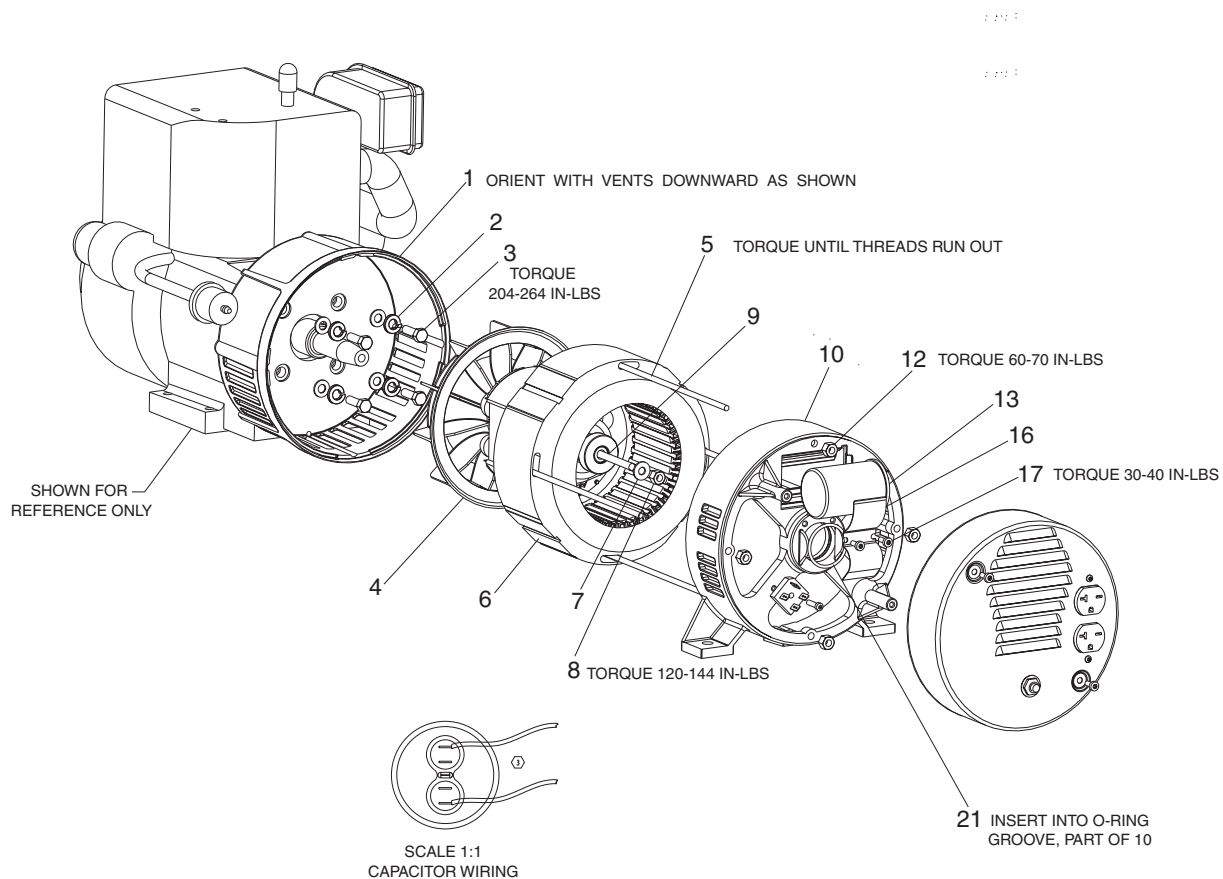
## GHV4250C (cont'd)



**KEY**

<b>KEY NO.</b>	<b>DESCRIPTION</b>	<b>PART NUMBER</b>
22	SCREW, HEX WASHER	SSF-928
23	FUEL CLAMP .50 ID	GS-0227
24	FUEL FILTER	GS-0459
25	GROUND LUG	GS-0117
26	SCREW 10-24 x 9/16	SSF-553-1
27	END COVER	GS-0077
28	ENGINE COVER	GS-0540
29	FUEL SHUT OFF VALVE	GS-0437
30	DRAINCOCK GROMMET	GS-0446
31	LOCK WASHER #10	SSN-626
32	SCREW M5 x 12HHCS	SSF-627

# GHV4250C (cont'd)



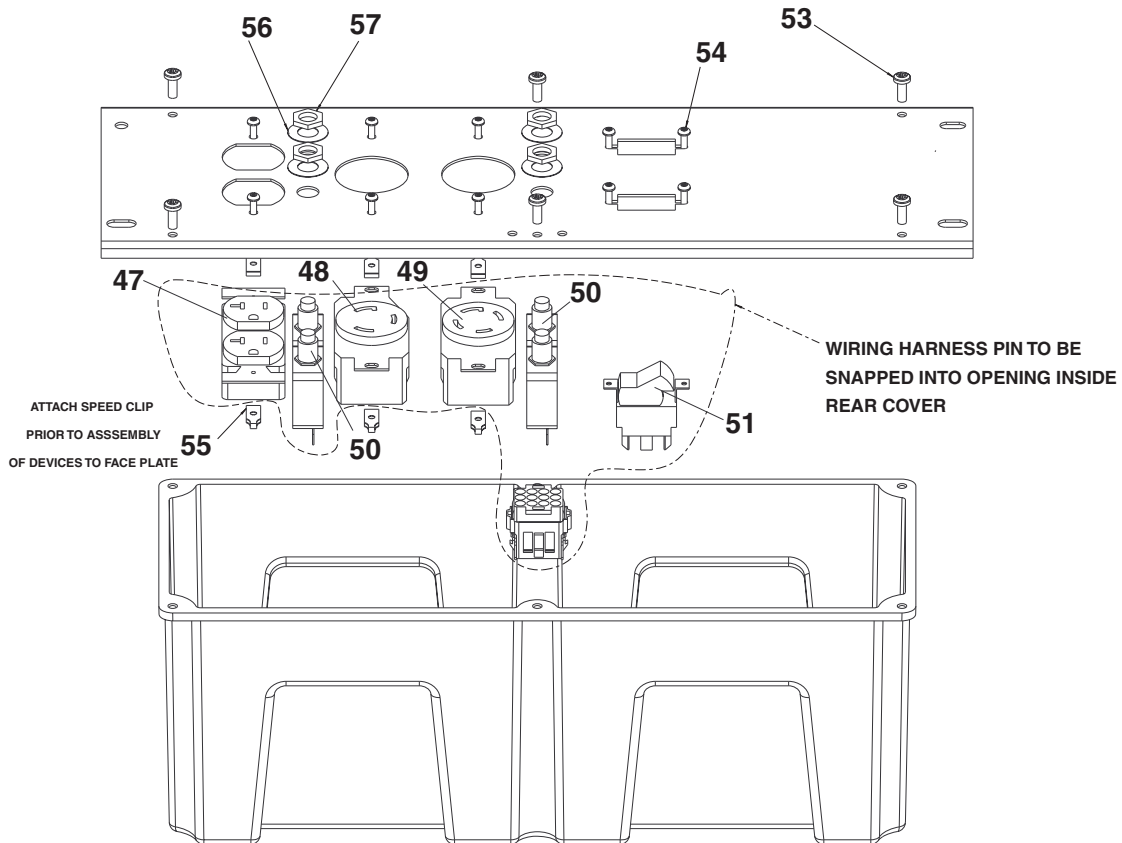
## KEY NO.

KEY NO.	DESCRIPTION	PART NUMBER
1	DRIVE END ADAPTER	GS-0076
2	LOCK WASHER 3/8	SSN-619
3	CAP SCREW 3/8-16 x 1	SSF-577
4	ROTOR ASSEMBLY	GS-0588
5	STATOR THRU BOLT	GS-0110
6	STATOR ASSEMBLY	GS-0589
7	WASHER 11/16OD x 11/32	SS-6506-CD
8	NUT 5/16-24	SSF-576
9	ROTOR THRU BOLT	GS-0091-1
10	BEARING SUPPORT	GS-0865
12	HEX NUT 1/4-20	SSF-575
13	CAPACITOR	GS-0592
16	CAPACITOR BRACKET	GS-0595
17	SCREW 10-32	SSF-553-1
21	O-RING	GS-0862

## ITEM NOT SHOWN

\*DIODES GS-0082

## GHV4250C (cont'd)



### KEY

<b>NO.</b>	<b>DESCRIPTION</b>	<b>PART NUMBER</b>
47	RECEPTACLE, DUPLES	GS-0804
48	3 PRONG TWISTLOCK	GS-0480
49	4 PRONG TWISTLOCK	GS-0445
50	CIRCUIT BREAKER	GS-0024
51	FULL POWER SWITCH	GS-0045
53	SCREW, 10-9 X .50 PLASTITE	SSF-3156
54	SCREW, #6-32 X .50 TORX	SSF-583
55	SPEED NUT, #6-32	SSF-584
56	SWITCH FACE PLATE RESET	GS-0207
57	HEX JAM NUT 7/16	SSF-595

### ***Not Shown***

MG-GENMAN-F	Operators Manual
GEN-GHV4250C	Parts Manual
GS-0525	Engine Manual