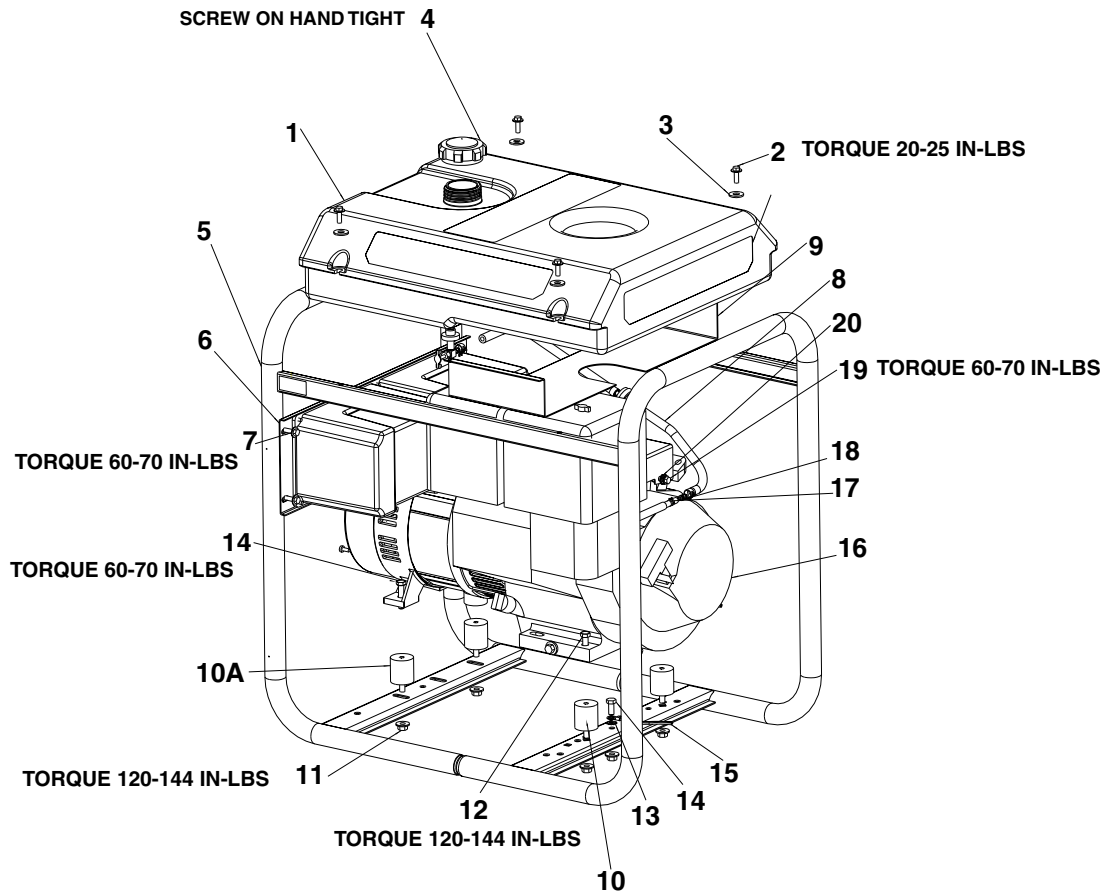


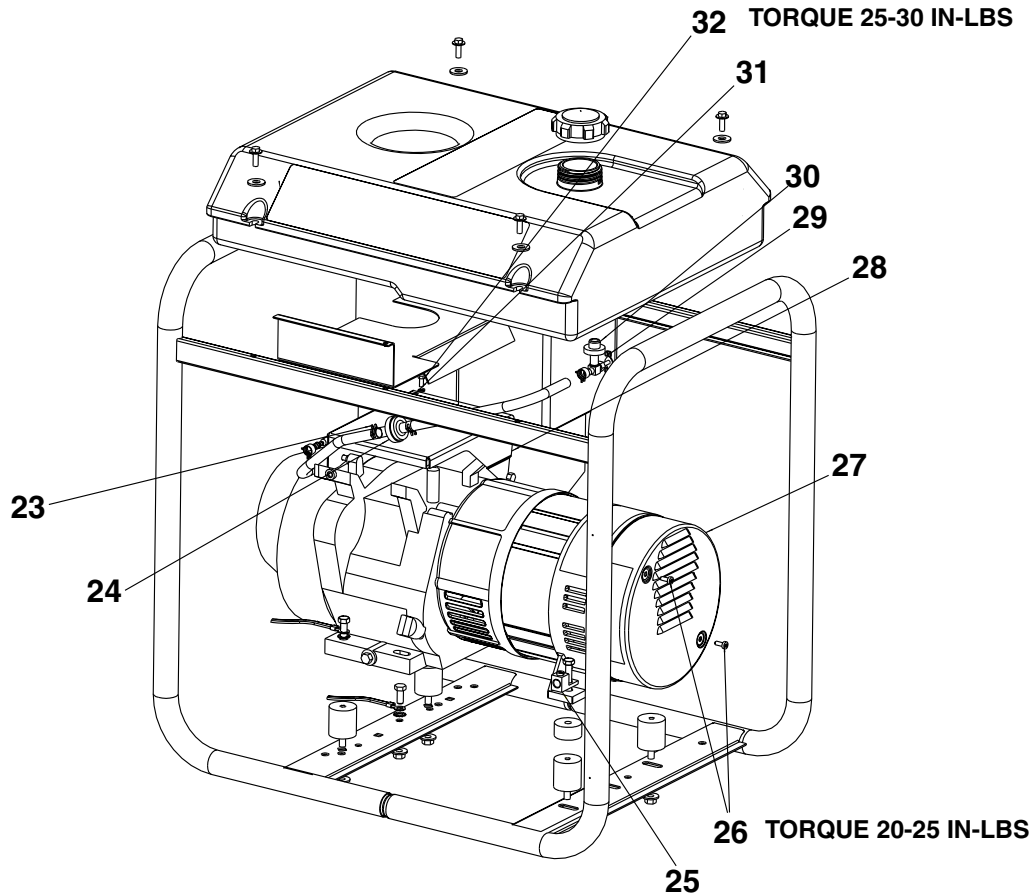
# GHV4500-4



## KEY

<u>KEY NO.</u>	<u>DESCRIPTION</u>	<u>PART NUMBER</u>
1	FUEL TANK	GS-0795
2	FUEL TANK SCREWS	91895680
3	WASHER	SSN-632
4	FUEL CAP	GS-0443
5	FRAME ASSEMBLY	GS-0823
6	PANEL ASSEMBLY	GS-0824
7	SCREW 1/4-20 x 3/4	91895680
8	FUEL HOSE	GS-0225
9	HEAT SHIELD	GS-0432-1
10	ISOLATOR	GS-0033
10A	ISOLATOR	GS-0433
11	LOCK NUT 5/16-18	SSF-8150
12	SCREW 5/16-18 x 1	SSF-605
13	LOCK WASHER	SSN-1619-ZN
14	SCREW 5/16-18 x 3/4	SS-12-CD
15	GROUND STRAP	GS-0118
16	ENGINE (model # GX270VWN2)	GS-0523
17	HOSE CLAMP .301 ID	GS-0560
18	UNION 1/4 TO 3/8	GS-0535
19	SCREW 1/4 x 5/8	39124607
20	LOCK WASHER	SS-1503-CD

## GHV4500-4 (cont'd)



**KEY**  
**NO.**

23  
24  
25  
26  
27  
28  
29  
30  
31  
32

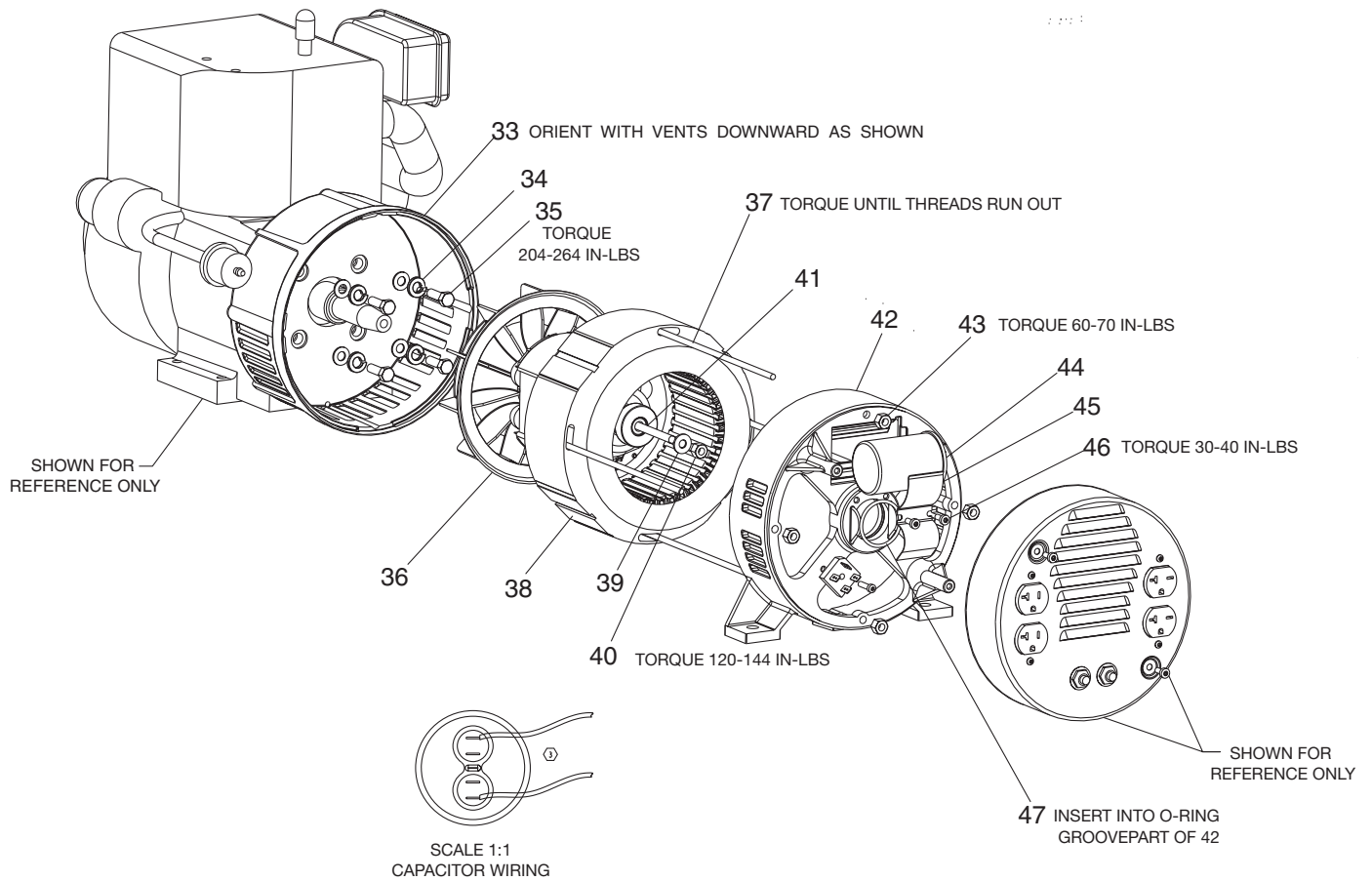
**DESCRIPTION**

FUEL CLAMP .50 ID  
FUEL FILTER  
GROUND LUG  
SCREW 10-24 x 9/16  
END COVER  
ENGINE COVER  
FUEL SHUTOFF VALVE  
DRAINCOCK GROMMET  
LOCK WASHER #10  
SCREW M5 x 12HHCS

**PART NUMBER**

GS-0227  
GS-0459  
GS-0117  
SSF-553-1  
GS-0077  
GS-0540  
GS-0437  
GS-0446  
SSN-626  
SSF-627

# GHV4500-4 (cont'd)

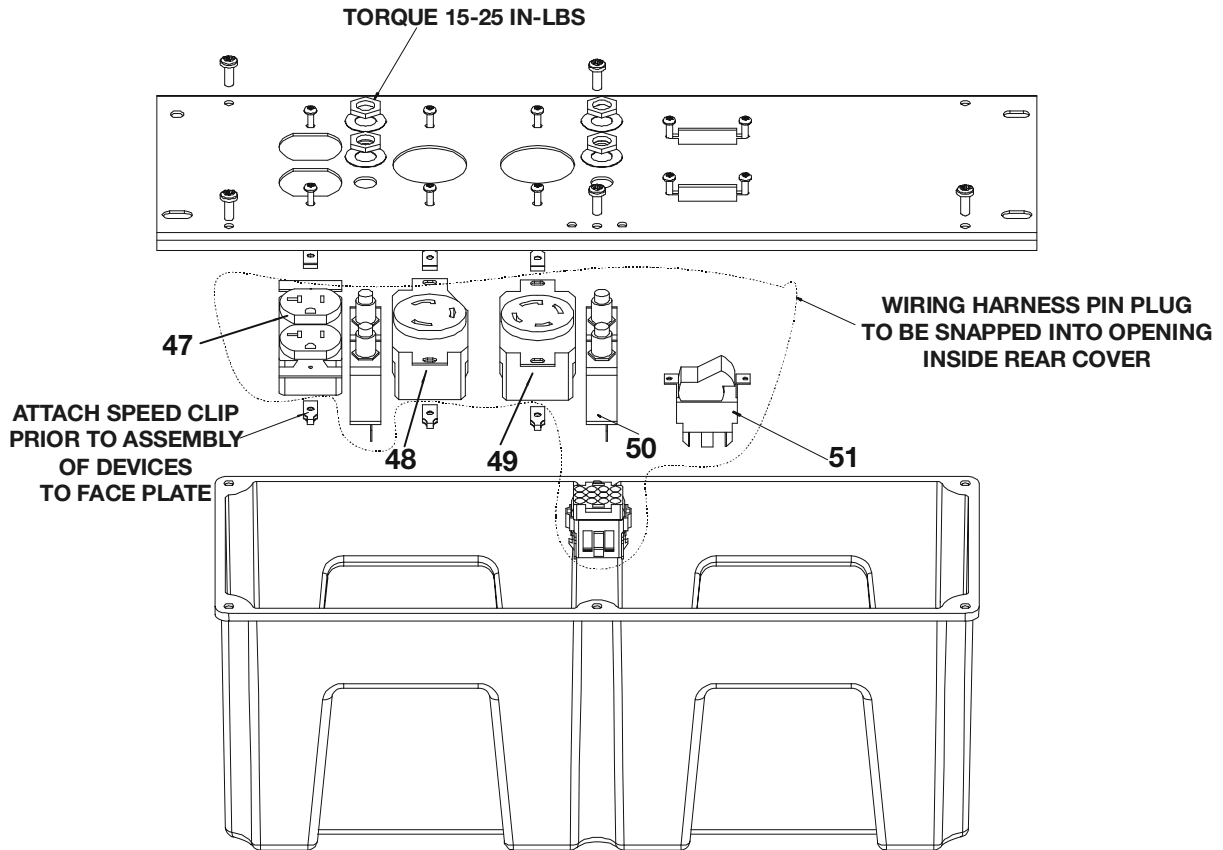


## KEY

KEY NO.	DESCRIPTION	PART NUMBER
33	DRIVE END ADAPTER	GS-0076
34	LOCK WASHER 3/8	SSN-619
35	CAP SCREW 3/8-16 x 1	SSF-577
36	ROTOR ASSEMBLY	GS-0883
37	STATOR THRU BOLT	GS-0110
38	STATOR ASSEMBLY	GS-0884
39	WASHER 11/16OD x 11/32	SS-6506-CD
40	NUT 5/16-24	SSF-576
41	ROTOR THRU BOLT	GS-0091-1
42	BEARING SUPPORT	GS-0681
43	HEX NUT 1/4-20	SSF-575
44	CAPACITOR	GS-0873
45	CAPACITOR BRACKET	GS-0595
46	SCREW 10-32	SSF-553-1
47	O-RING (included in GS-0861)	GS-0862

\*Refer to Page 4 in the Generator Repair Section for further **diode** information.

# GHV4500-4 (cont'd)



<b>KEY NO.</b>	<b>DESCRIPTION</b>	<b>PART NUMBER</b>
47	120V DUPL. RECEPTACLE	GS-0019
48	3 PRONG TWISTLOCK	GS-0480
49	4 PRONG TWISTLOCK	GS-0445
50	CIRCUIT BREAKER	GS-0024
51	FULL POWER SWITCH	GS-0045

***Not Shown***

MG-GENMAN-F	Operators Manual
GEN-HV4500-4	Parts Manual
GS-0525	Engine Manual