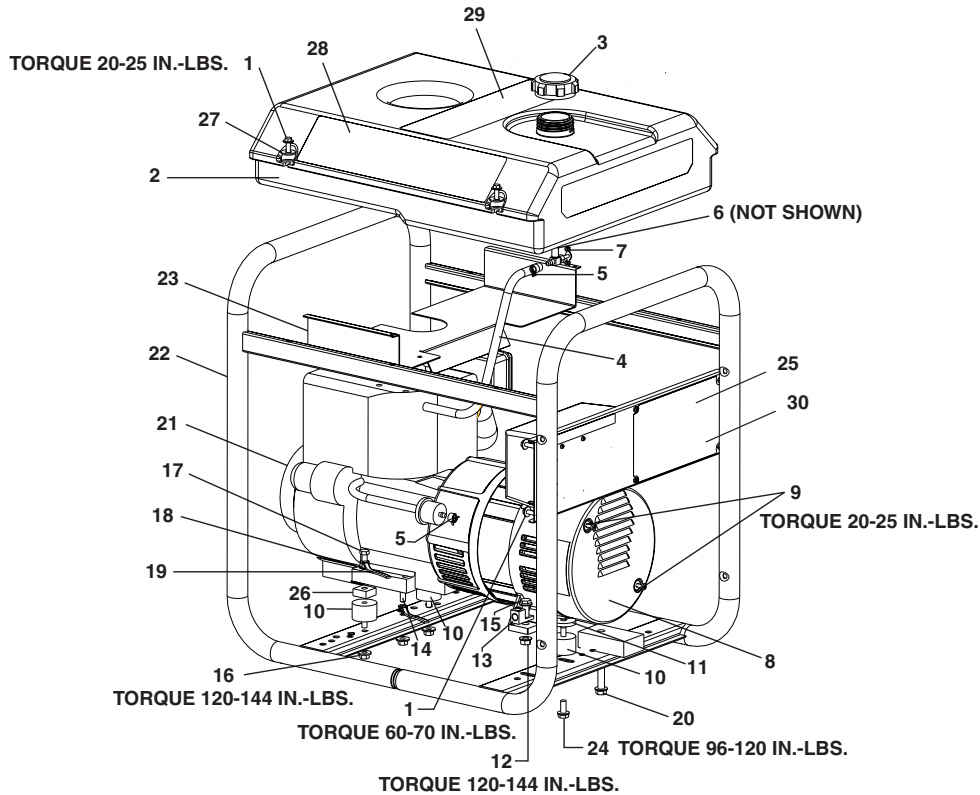
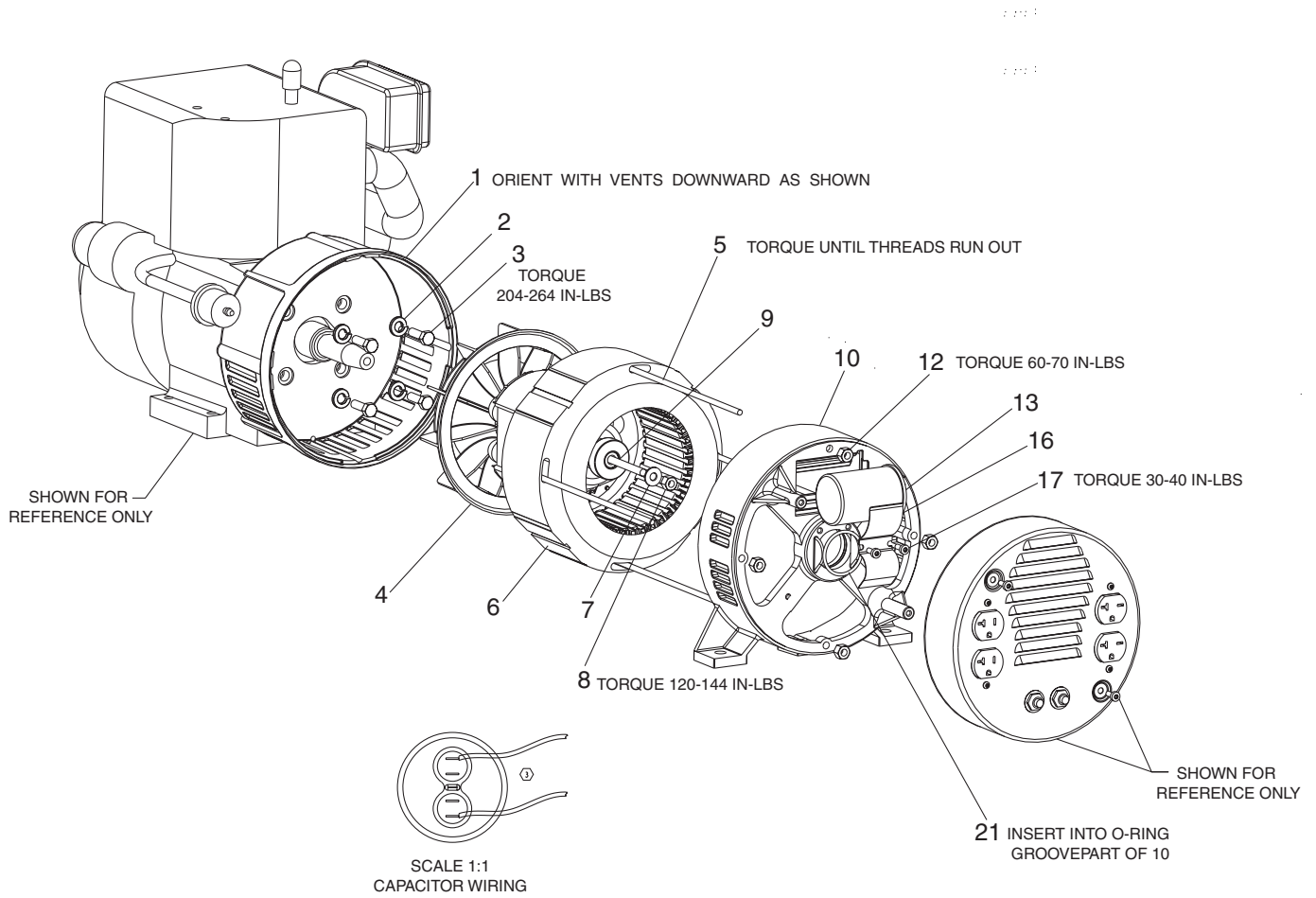


# T550



## KEY

NO.	PART NUMBER	DESCRIPTION
1	91895680	FUEL TANK SCREWS
2	GS-0795	FUEL TANK
3	GS-0443	FUEL CAP
4	GS-0225	FUEL HOSE
5	GS-0227	FUEL LINE CLAMP
6	GS-0446	DRAINCOCK GROMMET
7	GS-0437	TANK DRAINCOCK
8	GS-0077	ENDCOVER
9	SSF-553-1	SCREW #10-24 x 9/16
10	GS-0033	ISOLATOR
11	SSN-1014-ZN	WASHER 3/8
12	SSF-8111-ZN	LOCK NUT 3/8-16
13	GS-0117	GROUND LUG
14	SS-12-CD	SCREW 5/16-18 x 3/4
15	SSF-3140-ZN	SCREW 3/8-16 x 1
16	SSF-8150	LOCK NUT 5/16-18
17	SSF-999-1	SCREW, HEX HEAD 5/16-18
18	SSN-1619-ZN	LOCK WASHER
19	GS-0118	GROUND STRAP
20	SSF-628	HEX SCREW 3/8-16X2.5
21	-	ENGINE (model #HM100-159409P)
22	D20235	FRAME ASSEMBLY
23	GS-0432-1	HEAT SHIELD
24	SSF-549	SCREW 5/16-18 X .50
25	D21567	PANEL ASSEMBLY
26	GS-0746	SPACER
27	SSN-632	WASHER .8750D .375 ID .083 THK
28	D20609	LABEL, WARNING
29	LA-3029-2	LABEL, OPERATION
30	D21526	LABEL, PANEL CONTROL

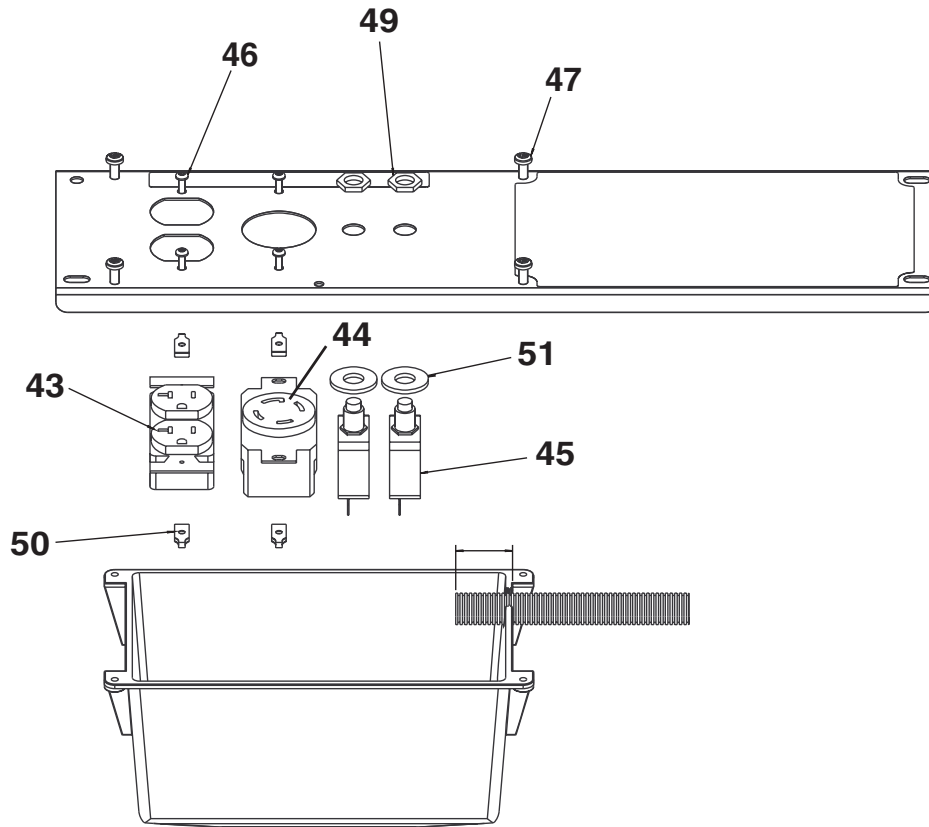


**KEY  
NO.**

**PART NUMBER**

**DESCRIPTION**

1	GS-0511	DRIVE END ADAPTER
2	SS-1503-CD	LOCK WASHER 3/8
3	SSF-616-ZN	CAP SCREW 5/16 - 24X1
4	GS-0883	ROTOR ASSEMBLY
5	GS-0110	STATOR THRU BOLT
6	GS-0884	STATOR ASSEMBLY
7	SS-6506-CD	WASHER 11/16OD x 11/32
8	SSF-576	NUT 5/16-24
9	GS-0091-1	ROTOR THRU BOLT
10	GS-0861	BEARING SUPPORT
12	SSF-575	HEX NUT 1/4-20
13	GS-0873	CAPACITOR
16	GS-0595	CAPACITOR BRACKET
17	SSF-553-1	SCREW 10 - 24 x 9/16
21	GS-0862	O-RING



**KEY  
NO.**

**PART NUMBER**

**DESCRIPTION**

43	GS-0019	120V/20A DUPLEX RECEPTACLE (20A)
44	GS-0455	4 PRONG TWISTLOCK
45	GS-0025	CIRCUIT BREAKER 125/250V/20A
46	SSF-3153	SCREW #6 - 32 x .5 TORX
47	SSF-3156	SCREW, 10 - 9 X .50 PLASTITE
49	SSF-595	NUT, HEX JAM 7/16
50	SSF-584	SPEED NUT #6 - 32
51	SS-1525-CD	WASHER 3/8