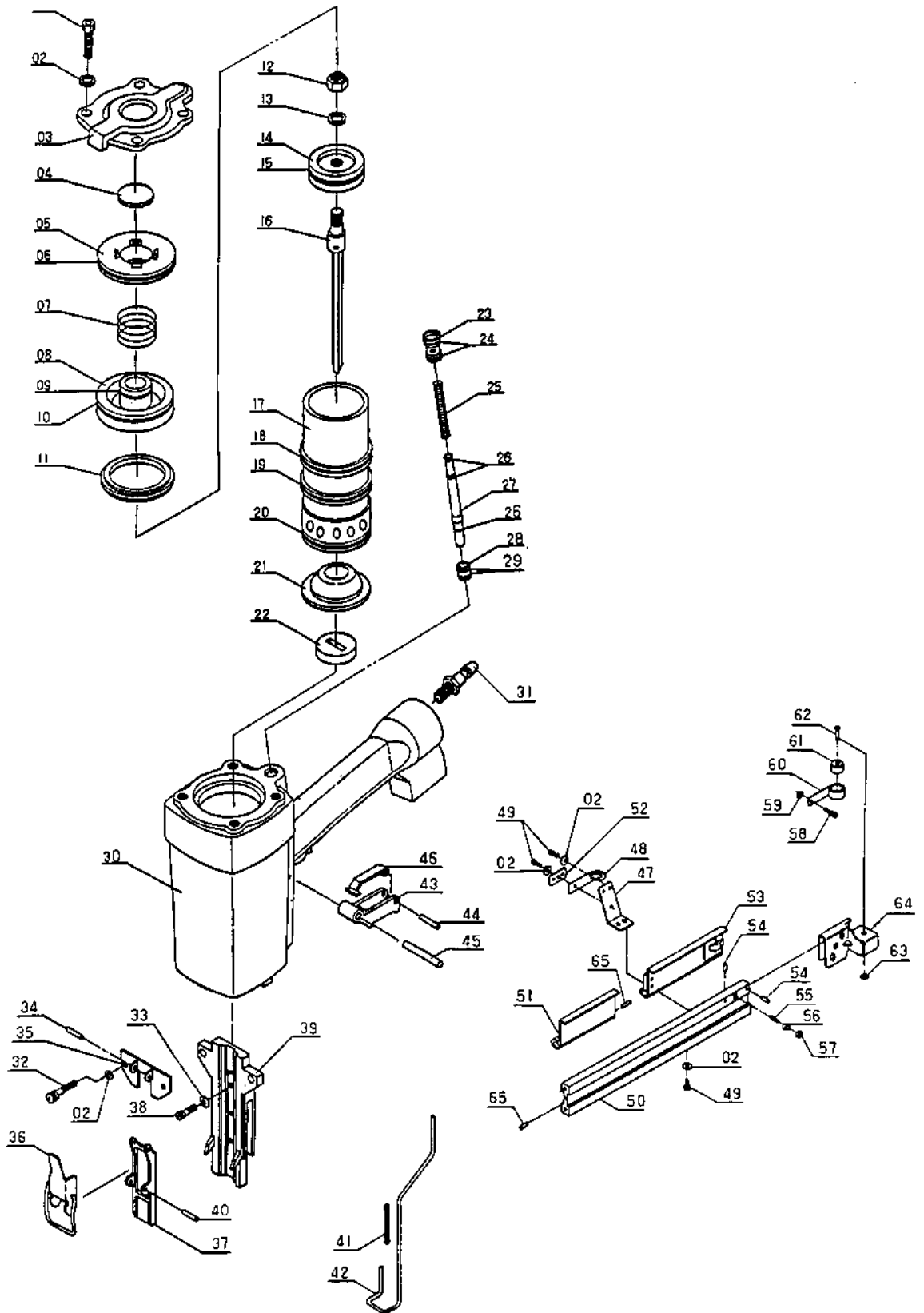


MCS3 - BREAKDOWN



MCS3 - PARTS LIST

| KEY NO. | PART NUMBER | DESCRIPTION | KEY NO. | PART NUMBER | DESCRIPTION |
|----------------|--------------------|-----------------------|----------------|--------------------|---------------------------------|
| 1 | NSP-120 | Screw | 34 | NSP-178 | Pin |
| 2 | NSP-182 | Washer | 35 | NSP-133 | Plate, Guide Body |
| 3 | NSP-034 | Exhaust Deflector | 36 | NSP-177 | Latch Assy. |
| * 4 | ----- | Seal | 37 | NSP-134 | Door |
| 5 | NSP-033 | Cap | 38 | NSP-132 | Screw |
| * 6 | ----- | Seal | 39 | NSP-038 | Guide Body |
| * 7 | ----- | Spring | 40 | NSP-183 | Pin |
| 8 | NSP-031 | Gasket Set | 41 | NSP-161 | Spring |
| * 9 | ----- | Seal | 42 | NSP-045 | Safety |
| * 10 | ----- | Seal | 43 | NSP-128 | Trigger |
| * 11 | NSP-041 | Seal | 44 | NSP-129 | Pin |
| + 12 | ----- | Nut | 45 | NSP-044 | Pin |
| + 13 | ----- | Washer | 46 | NSP-049 | Inner Trigger |
| + 14 | ----- | Main Piston | 47 | NSP-048 | Rail Bracket |
| + 15 | ----- | Seal | 48 | NSP-136 | Spring Plate |
| + 16 | ----- | Driver | 49 | NSP-181 | Screw |
| 17 | NSP-035 | Cylinder Sleeve Assy. | 50 | NSP-047 | Rail & Rail Cover Assy. |
| # 18 | ----- | Seal | 51 | NSP-137 | Front Pivoting Rail Cover Assy. |
| # 19 | ----- | Seal | 52 | NSP-138 | Washer |
| # 20 | ----- | Seal | 53 | NSP-139 | Pivoting Rail Cover Assy. |
| 21 | NSP-043 | Piston Stop | 54 | NSP-140 | Pin |
| + 22 | ----- | Joint Guide | 55 | NSP-042 | Spring |
| 23 | NSP-121 | Collar | 56 | NSP-050 | Latch, Follower Button |
| ✓ 24 | ----- | Seal | 57 | NSP-028 | Retaining Bushing |
| ✓ 25 | ----- | Spring | 58 | NSP-141 | Screw |
| ✓ 26 | ----- | Seal | 59 | NSP-142 | Lock Washer |
| 27 | NSP-125 | Shaft, Valve | 60 | NSP-143 | Spring |
| 28 | NSP-126 | Copper Cover | 61 | NSP-144 | Spring Roller |
| ✓ 29 | ----- | Seal | 62 | NSP-145 | Pin |
| 30 | NSP-029 | Main Body Assy. | 63 | NSP-146 | Retainer |
| 31 | NSP-176 | Air Plug | 64 | NSP-051 | Follower |
| 32 | NSP-116 | Screw | 65 | NSP-163 | Pin |
| 33 | NSP-131 | Washer | | | |

See next page for Repair Kit contents

MCS3 - REPAIR KITS

- * Key Numbers 4, 6, 7, 9, 10, and 11 can only be purchased as part of **NSK-006** Top Repair Kit.



- + Key Numbers 12, 13, 14, 15, 16, and 22 can only be purchased as part of **NSK-003** Driver Blade Kit.



- # Key Numbers 18, 19, and 20 can only be purchased as part of **NSK-008** Bottom Repair Kit.



- ✓ Key Numbers 24, 25, 26, and 29 can only be purchased as part of **NSK-018** Trigger Repair Kit.

