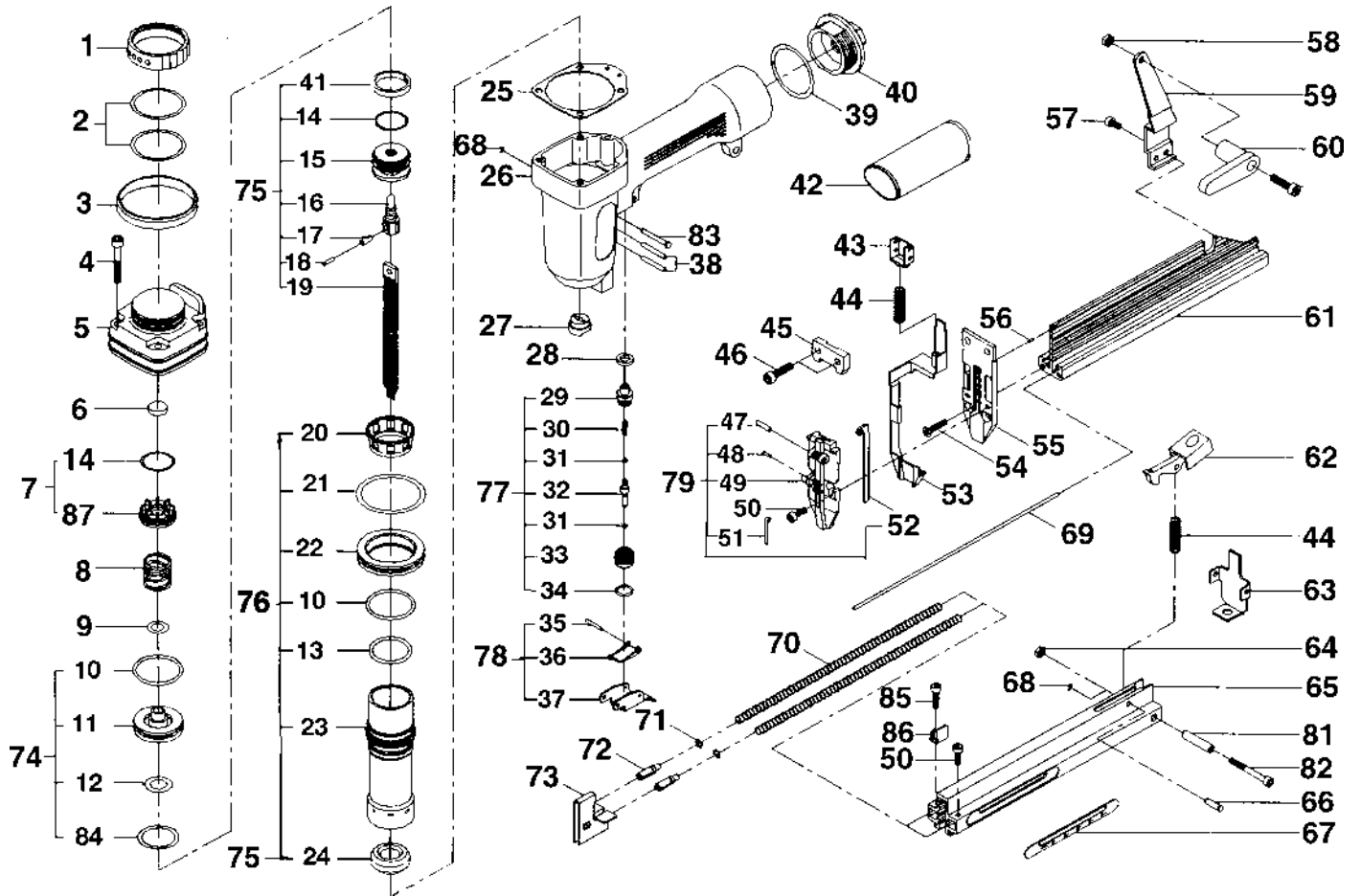


# NBSNC2X4- BREAKDOWN



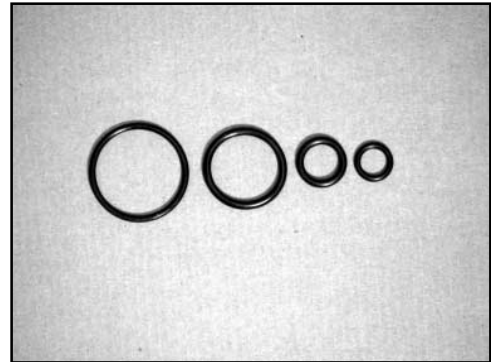
# NBSNC2X4 - PARTS LIST

<b>KEY NO</b>	<b>PART NO</b>	<b>DESCRIPTION</b>	<b>KEY NO</b>	<b>PART NO</b>	<b>DESCRIPTION</b>
1	A346-07	Exhaust Valve Collar	45	A290-18	Spacer
2	A311-OK	O-ring 35.5 x 1.8	46	A200-09	Screw 5x20
3	A312-03	Body Guard	47	A206-19	Spring Pin 3x14
4	A200-20	Screw 5-35	48	A206-62	Spring Pin 1.5 x 10
5	I230-NO	Exhaust Cover	49	A295-53	Driver Guide Cover
6	A343-29	Seal, Air	50	A200-23	Screw 4x12
7	B346-06	Exhaust Valve Assy.	51	A211-07	Spring Plate
8	A210-25	Spring	52	A275-1A	Plate
9	A311-0P	O-ring 9.8 x 2.4	53	A280-69	Release Catch
10	* #	O-ring 32 x 2.5	54	A201-03	Screw 4x18
11	*	Head Valve Piston Set	55	A291-97	Driver Guide
12	*	O-ring 13 x 3	56	A206-61	Spring Pin 1.5 x 10
13	#	O-ring 26.59 x 2.96	57	A200-01	Screw 4x8
14	+	O-ring 22 x 1.5	58	A204-02	Nylon Nut M5
15	+	Piston Head	59	A274-07	Support
16	+	Driver Blade Pin	60	A349-06	Belt Hook
17	+	Outer Spring Pin 4x10	61	A271-A2	Lower Magazine
18	+	Inner Spring Pin 2.5 x 10	62	A377-00	Click Lever
19	+	Driver Blade	63	A235-07	Tail Cover
20	#	Sleeve Retainer	64	A204-01	Nylon Nut M4
21	#	O-ring 44.8 x2.6	65	A270-69	Upper Magazine
22	#	Spacer	66	A206-60	Step Pin 5x14
23	#	Cylinder	67	A349-07	Scaleboard
24	# +	Bumper	68	A205-04	E-Ring 2.5
25	A343-24	Gasket	69	A276-21	Steel Bar
26	I22N-0S	Body	70	A210-1A	Feeder Spring
27	A342-01	Nozzle	71	A311-0W	O-Ring 4 x1.25
28	A343-28	Seal, Air	72	A374-04	Spring Holder
29	✓	Trigger Valve Head	73	A275-63	Pusher
30	✓	Spring	74	B340-06	Top Repair Kit
31	✓	O-Ring 1.9 x 1.2	75	BN2B-10	Driver Blade Repair Kit
32	✓	Trigger Valve Stem	76	B232-23	Bottom Repair Kit
33	✓	Trigger Valve Guide	77	B251-02	Trigger Repair Kit
34	✓	O-ring 9.8 x1.9	78	B250-23	Trigger Set
35	A206-10	Spring Pin 2 x 16	79	B295-53	Driver Guide Cover Assembly
36	A250-06	Releasing Blade	80	B271-84	Magazine Assembly
37	A250-23	Trigger	81	A278-27	Spacer
38	A206-29	Spring Pin 2 x 24	82	A200-27	Screw 4x37
39	A311-U	O-Ring 37.5 x 3.5	83	A206-65	Step Pin 5x27.3
40	H235-NO	Tail Cover	84	*	O-ring 24.5x3
41	+	Teflon Ring	85	A200-02	Screw 4x16
42	A312-12	Handle Grip	86	A285-79	End Stopper
43	A281-31	Block	87	A346-06	Exhaust Valve Site
44	A210-96	Spring			

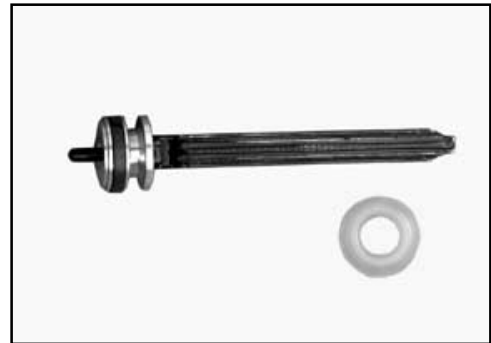
**See next page for Repair Kit contents**

# NBSNC2X4 - REPAIR KITS

- \* Key numbers 10, 11, 12, and 84 can only be purchased as part of B340-06 Top Repair Kit (Key # 74).



- + Key numbers 14, 15, 16, 17, 18, 19, 24, and 41 can only be purchased as part of BN2B-10 Driver Blade Repair Kit (Key #75).



- # Key numbers 10, 13, 20, 21, 22, 23, and 24 can only be purchased as part of B232-23 Bottom Repair Kit (Key #76).



- ✓ Key numbers 29, 30, 31, 32, 33, and 34 can only be purchased as part of B251-02 Trigger Repair Kit (Key #77).

