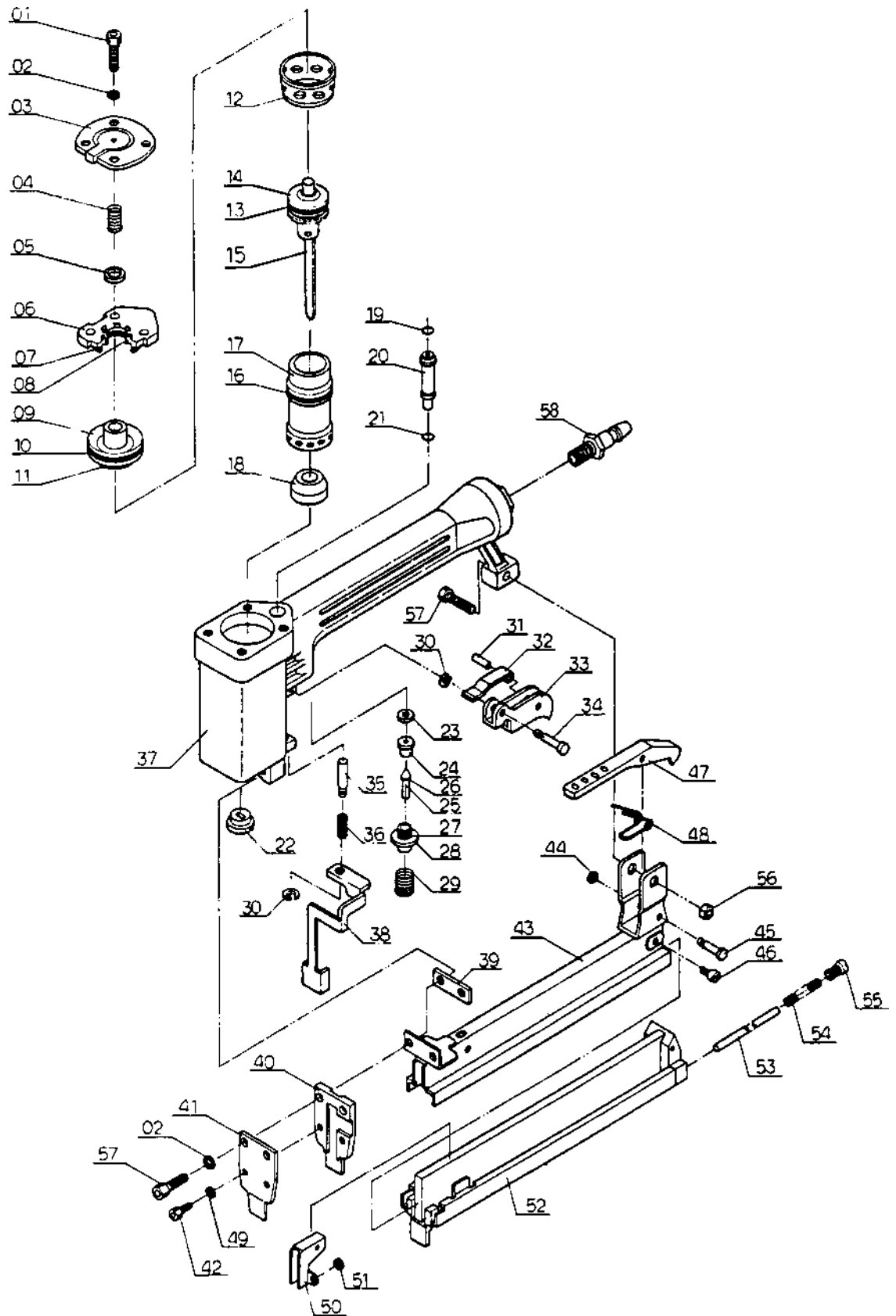


NCS2 - BREAKDOWN



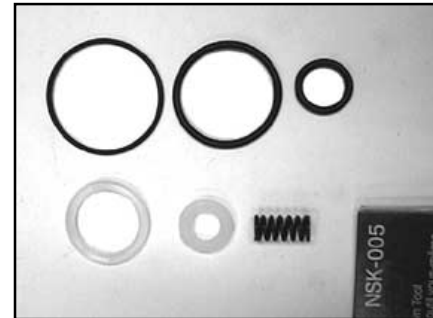
NCS2 - PARTS LIST

KEY NO.	PART NUMBER	DESCRIPTION	KEY NO.	PART NUMBER	DESCRIPTION
1	NSP-154	Screw	30	NSP-146	Retainer
2	NSP-182	Washer	31	NSP-163	Pin
3	NSP-074	Exhaust Deflector	32	NSP-093	Inner Trigger
* 4	----	Spring	33	NSP-095	Trigger
* 5	----	Seal	34	NSP-096	Pin
6	NSP-077	Cylinder Cap Assy.	35	NSP-065	Shaft
* 7	----	Seal	36	NSP-094	Spring
* 8	----	Seal	37	NSP-097	Main Body Assy.
9	NSP-079	Firing Valve Assy.	38	NSP-066	Safety
* 10	----	Seal	39	NSP-119	Spacer
* 11	----	Seal	40	NSP-073	Guide Body
12	NSP-082	Collar	41	NSP-058	Door
+ 13	----	Seal	42	NSP-052	Screw
+ 14	----	Main Piston	43	NSP-062	Magazine Unit
+ 15	----	Driver (Regular)	44	NSP-056	Retainer
# 16	----	Seal	45	NSP-057	Pin
17	NSP-085	Cylinder Sleeve Assy.	46	NSP-055	Screw
# 18	----	Piston Stop	47	NSP-067	Click Lever
✓ 19	----	Seal	48	NSP-063	Coil Spring
20	NSP-088	Tube	50	NSP-054	Pusher
✓ 21	----	Seal	52	NSP-053	Staple Guide Unit
# 22	----	Joint Guide	53	NSP-059	Spring Guide
✓ 23	----	Seal	54	NSP-068	Spring
25	NSP-072	Trigger Valve Assy.	55	NSP-064	Screw
+✓ 26	----	Seal	56	NSP-115	Nut
✓ 27	----	Seal	57	NSP-116	Screw
28	NSP-071	Trigger Valve Guide	58	NSP-176	Air Plug
✓ 29	NSP-092	Spring			

See next page for Repair Kit contents

NSC2 - REPAIR KITS

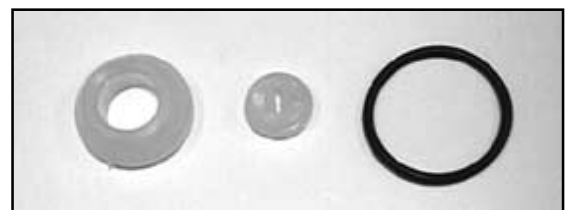
* Key Numbers 4, 5, 7, 8, 10, and 11 can only be purchased as part of **NSK-005** Top Repair Kit.



+ Key Numbers 13, 14, 15, and 22 can only be purchased as part of **NSK-002** Driver Blade Kit.



Key Numbers 16, 18, and 22 can only be purchased as part of **NSK-007** Bottom Repair Kit.



✓ Key Numbers 19, 21, 23, 26, 27, and 29 can only be purchased as part of **NSK-019** Trigger Repair Kit.

