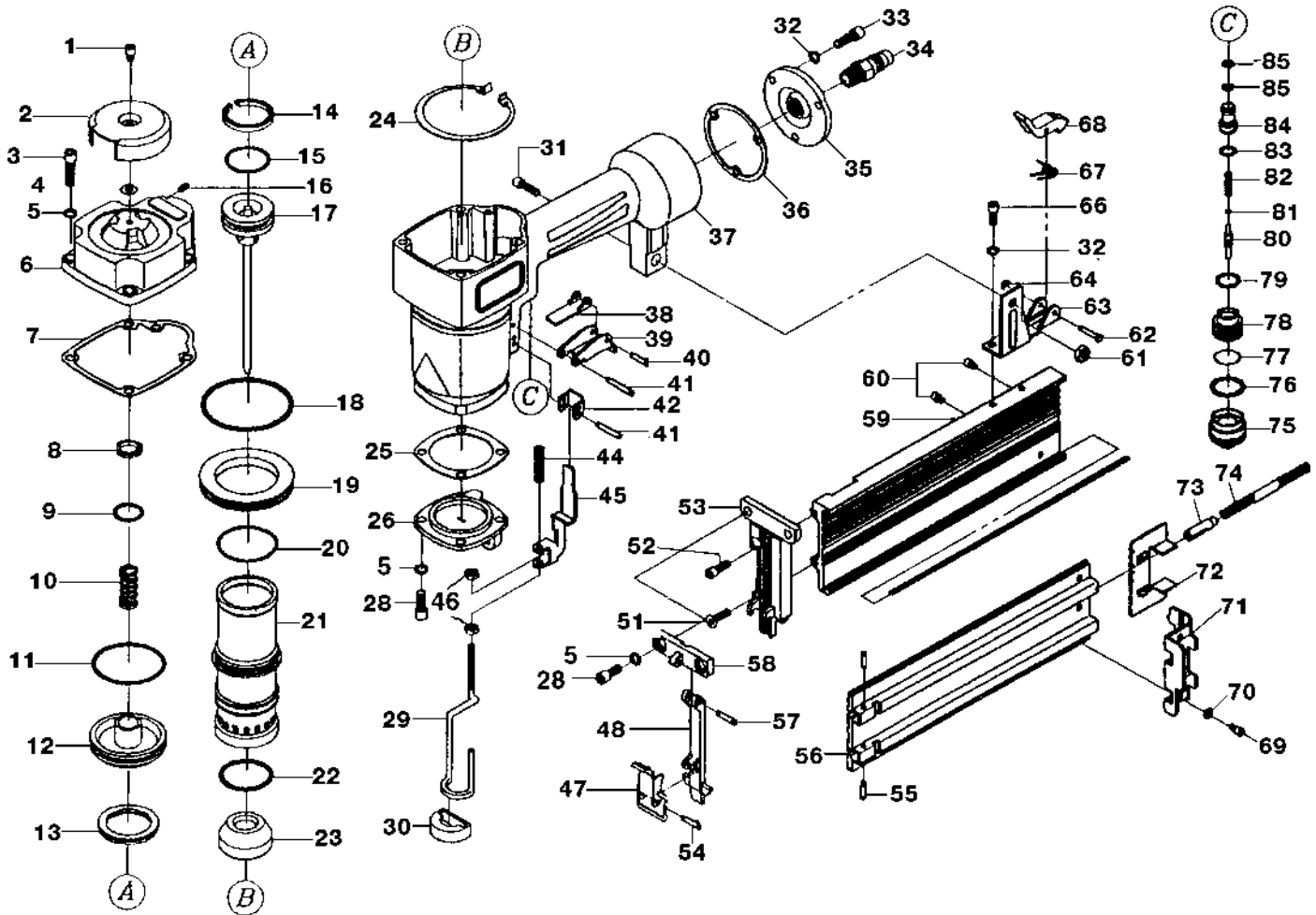


# NF2502X4 - BREAKDOWN



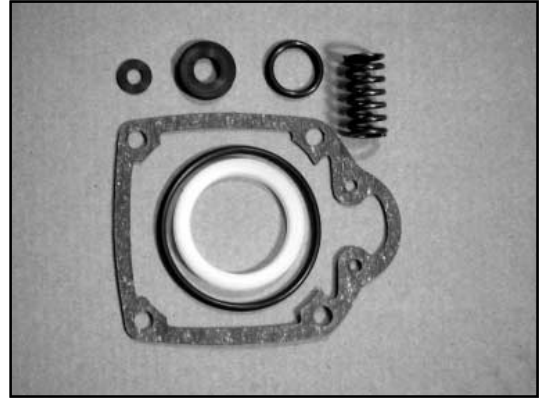
# NF2502X4 - PARTS LIST

<b>KEY NO</b>	<b>PART NO</b>	<b>DESCRIPTION</b>	<b>KEY NO</b>	<b>PART NO</b>	<b>DESCRIPTION</b>
1	NM-88006	Hex. Soc. But. HD. Screw	44	NM-15018	Spring
2	NM-15400	Deflector	45	NM-15590	Safety B
3	NM-99015	Hex. Soc. HD. Screw	46	NM-92001	Lock nut
4	*	Seal	47	NM-15680	Nose Cover Latch
5	NM-97003	Spring Washer	48	NM-26450	Nose Cover A
6	NM-26420	Cap	51	NM-91001	Hex. Soc. FT. HD. Screw
7	*	Cap Gasket	52	NM-99012	Hex. Soc. Screws
8	*	Seal	53	NM-26430	Nose
9	*	O-ring	54	NM-93010	Spring Pin
10	*	Spring	55	NM-93005	Spring Pin
11	*	O-ring	56	NM-26470	Magazine Cover
12	NM-15004	HD. Valve Piston	57	NM-93006	Spring Pin
13	*	Collar	58	NM-15530	Nose Cover B
14	+	Piston O-ring	59	NM-26440	Magazine
15	+	O-ring	60	NM-99010	Hex. Soc. HD. Screw
16	NM-90001	Hex. Soc. HD. Set Screw	61	NM-9200	Lock Nut
17	+	Piston Ram Assy.	62	NM-10660	Pin
18	#	O-ring	63	NM-26500	Latch Bracket
19	NM-15008	Cylinder spacer	64	NM-95001	E-ring
20	#	O-ring	66	NM-99016	Hex. Soc. HD. Screw
21	NM-26410	Cylinder	67	NM-15460	Spring
22	#	O-ring	68	NM-10640	Latch
23	# +	Bumper	69	NM-99002	Hex. Soc. HD. Screw
24	NM-15660	C-ring	70	NM-97001	Spring Washer
25	#	Bottom Gasket	71	NM-26490	Latch Plate
26	NM-15520	Bottom Cap	72	NM-26480	Pusher
28	NM-99014	Hex. Soc. HD. Screw	73	NM-15017	Shaft
29	NM-26510	Safety A	74	NM-15015	Spring
30	NM-15016	Rubber	75	NM-15013	Trigger Valve Guide
31	NM-99017	Hex. Soc. HD. Screw	76	✓	O-ring
32	NM-97002	Spring Washer	77	✓	O-ring
33	NM-99006	Hex. Soc. HD. Screw	78	NM-15010	Trigger Valve head
34	NM-94001	Air Plug	79	✓	O-ring
35	NM-15500	End Cap	80	NM-15440	Trigger Valve Stem
36	NM-15023	Inlet Cap Gasket	81	✓	O-ring
37	NM-15480	Gun Body	82	✓	Spring
38	NM-15470	Secondary Trigger	83	✓	O-ring
39	NM-15450	Primary Trigger	84	NM-15011	Trigger Valve
40	NM-93008	Spring Pin	85	✓	O-ring
41	NM-93004	Spring Pin	86	✓	O-ring
42	NM-15600	Safety Guide			

**See next page for Repair Kit contents**

# NF2502X4 - REPAIR KITS

- \* Key numbers 4, 7, 8, 9, 10, 11, and 13 can only be purchased as part of K-0521 Top Repair Kit.



- + Key numbers 14, 15, 17, and 23 can only be purchased as part of K-1664 Driver Blade Kit.



- # Key numbers 18, 20, 22, 23, and 25 can only be purchased as part of K-0522 Bottom Repair Kit



- ✓ Key numbers 76, 77, 79, 81, 82, 83, 85, and 86 can only be purchased as part of K-0523 Trigger Repair Kit.

