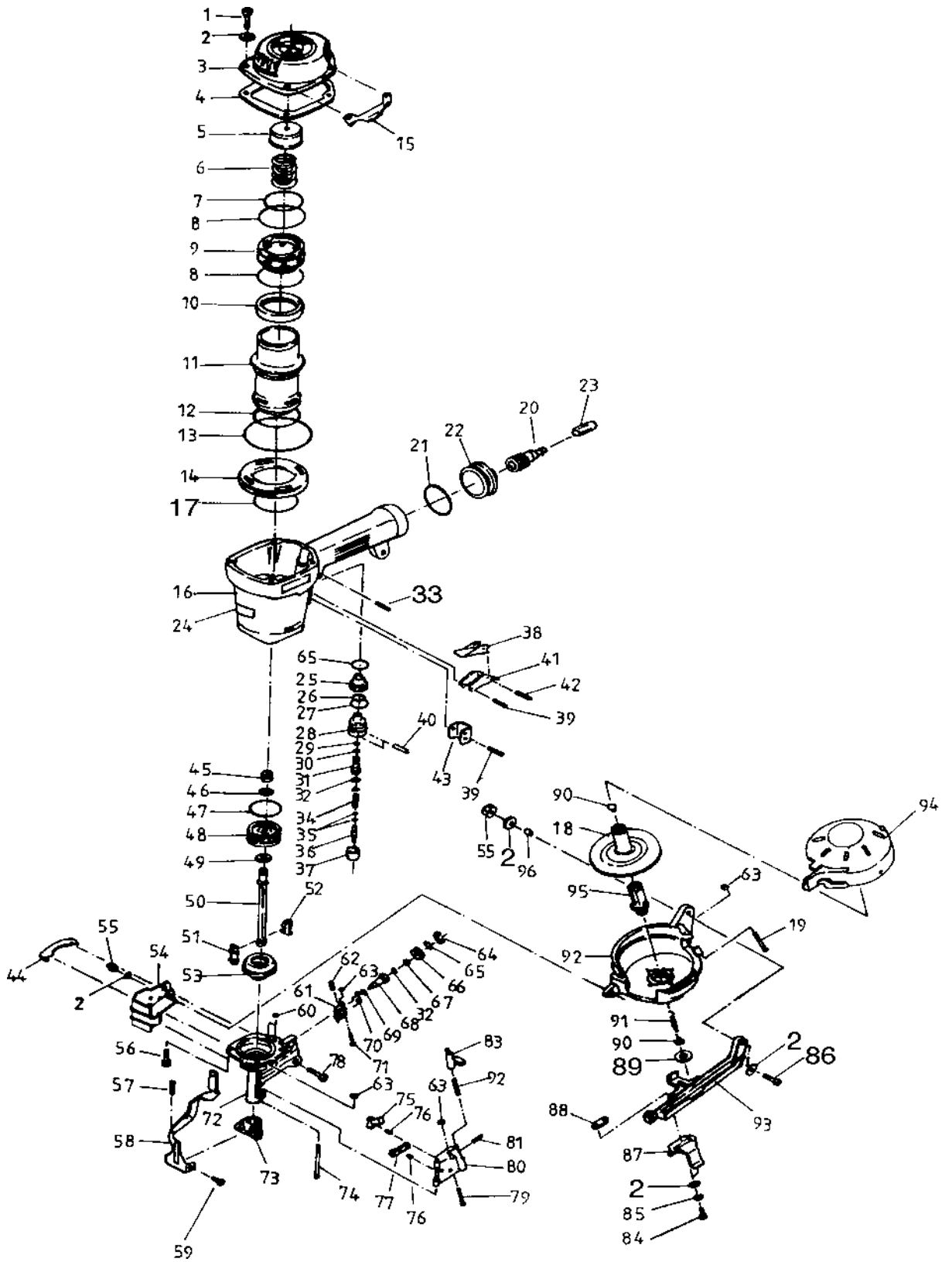


# RCN8 - BREAKDOWN



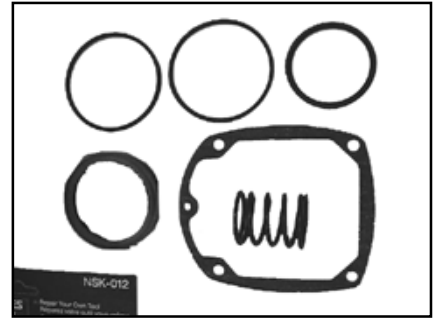
# RCN8 - PARTS LIST

KEY NO.	PART NO.	DESCRIPTION	KEY NO.	PART NO.	DESCRIPTION
1.	NSP-263	SCREW	51.	NSP-313	DRIVER GUIDE FRONT
2.	NSP-264	PLAIN WASHER	52.	NSP-314	DRIVER GUIDE BACK
3.	NSP-265	CAP ASSEMBLY	\ 53.	----	DRIVE BUMPER
* 4.	----	GASKET	54.	NSP-316	TRIP COVER
5.	NSP-267	EXHAUST BUMPER	55.	NSP-317	ELASTIC STOP NUT
* 6.	----	HEAD VALVE SPRING	56.	NSP-318	SCREW
* 7.	----	O-RING H.V.1.D.	57.	NSP-319	TRIP LEVER SPRIN
* 8.	----	O-RING H.V.0.D.	58.	NSP-320	TRIP LEVER
9.	NSP-271	HEAD VALVE	59.	NSP-321	SCREW
* 10.	----	HEAD VALVE SEAL	60.	----	O-RING NOSE PORT
11.	NSP-273	CYLINDER SLEEVE	^ 61.	----	FEED PAWL
\ 12.	----	O-RING SLEEVE O.D.	^ 62.	----	ROLL PIN
\ 13.	----	O-RING BULKHEAD O.D.	^ 63.	----	HINGE PIN RETAINER
14.	NSP-276	BULKHEAD RING	^ 64.	----	RETAINING RING
15.	NSP-277	WEAR PLATE	^ 65.	----	O-RING FEED PISTON CAP
16.	NSP-278	FRAME	^ 66.	----	FEED PISTON CAP
\ 17.	----	O-RING SLEEVE LOWER	^ 67.	----	FEED PISTON BUMPER
18.	NSP-280	PLATFORM ASSEMBLY	68.	NSP-330	FEED PISTON
19.	NSP-281	COVER HINGE PIN	^ 69.	----	O-RING PISTON STEM
20.	NSP-282	COUPLING PLUG	^ 70.	----	FEED PAWL SPRING
21.	NSP-283	O-RING END CAP	^ 71.	----	FEED PAWL PIN
22.	NSP-284	HANDLE END CAP	72.	NSP-334	NOSE
23.	NSP-285	PRETECTIVE CAP	73.	NSP-335	TRIP FOOT ASSEMBLY
25.	NSP-287	TRIGGER VALVE CAP	74.	NSP-336	DOOR HINGE PIN
26.	NSP-288	O-RING	75.	NSP-337	HOLDING PAWL
x 27.	----	O-RING VALVE BODY	76.	NSP-338	COMPRESSION SPRING
28.	NSP-290	TRIGGER VALVE HOUSING	77.	NSP-339	KICKBACK PAWL
x 29.	----	O-RING	78.	NSP-340	SCREW
x 30.	----	O-RING	79.	NSP-341	PAWL PIVOT PIN
31.	NSP-293	PILOT VALVE	80.	NSP-342	DOOR
x^ 32.	----	O-RING	81.	NSP-343	LATCH RETAINER PIN
33.	NSP-295	ROLL PIN	82.	NSP-344	LATCH SPRING
x 34.	----	COMPRESSION SPRING	83.	NSP-345	DOOR LATCH
x 35.	----	O-RING	84.	NSP-346	SCREW
36.	NSP-298	TRIGGER STEM	85.	NSP-347	LOCK WASHER
37.	NSP-299	TRIGGER VALVE CAP	86.	NSP-348	SCREW
38.	NSP-300	ROCKER	87.	NSP-349	GAGE
39.	NSP-301	ROLL PIN	88.	NSP-350	GAGE NUT PLATE
40.	NSP-302	STRIGHT PIN	89.	NSP-351	POST RETAINER
41.	NSP-303	TRIGGER	90.	NSP-352	SPRING RECEIVER
42.	NSP-304	ROLL PIN	91.	NSP-353	SPRING
43.	NSP-305	TRIP LEVER GUIDE	92.	NSP-354	MAGAZINE
44.	NSP-306	TOOLS SUPPORT	93.	NSP-355	GAGE BRACKET
+ 45.	----	NUT	94.	NSP-356	MAGAZINE COVER
+ 46.	----	UPPER PISTON WASHER	95.	NSP-357	MAGAZINE POST
+ 47.	----	O-RING	96.	NSP-358	MAGAZINE BUSHING
+ 48.	----	PISTON			
+ 49.	----	LOWER PISTON WASHER			
+ 50.	----	DRIVER			

**See next page for Repair Kit contents**

# RCN8 - REPAIR KITS

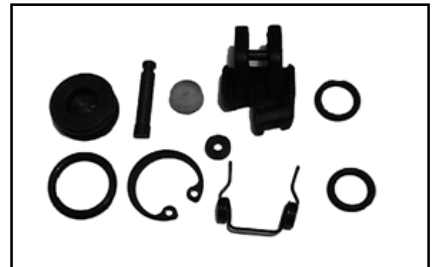
\* Key Numbers 4, 6, 7, 8, and 10 can only be purchased as part of **NSK-012** Top Repair Kit.



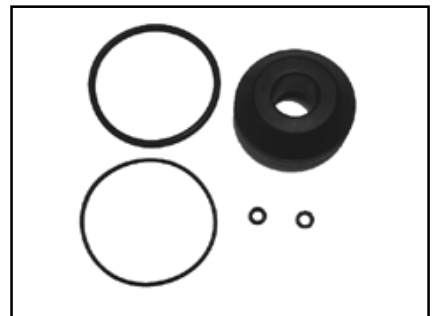
+ Key Numbers 45, 46, 47, 48, 49, and 50 can only be purchased as part of **NSK-013** Driver Blade Kit.



^ Key Numbers 32, 61, 62, 63, 64, 65, 66, 67, 69, 70 and 71 can only be purchased as part of **NSK-014** Feed System Repair Kit.



\ Key Numbers 12, 13, 17, and 53, can only be purchased as part of **NSK-015** Bottom Repair Kit.



x Key Numbers 27, 29, 30, 32, 34, and 35 can only be purchased as part of **NSK-016** Trigger Valve Repair Kit.

