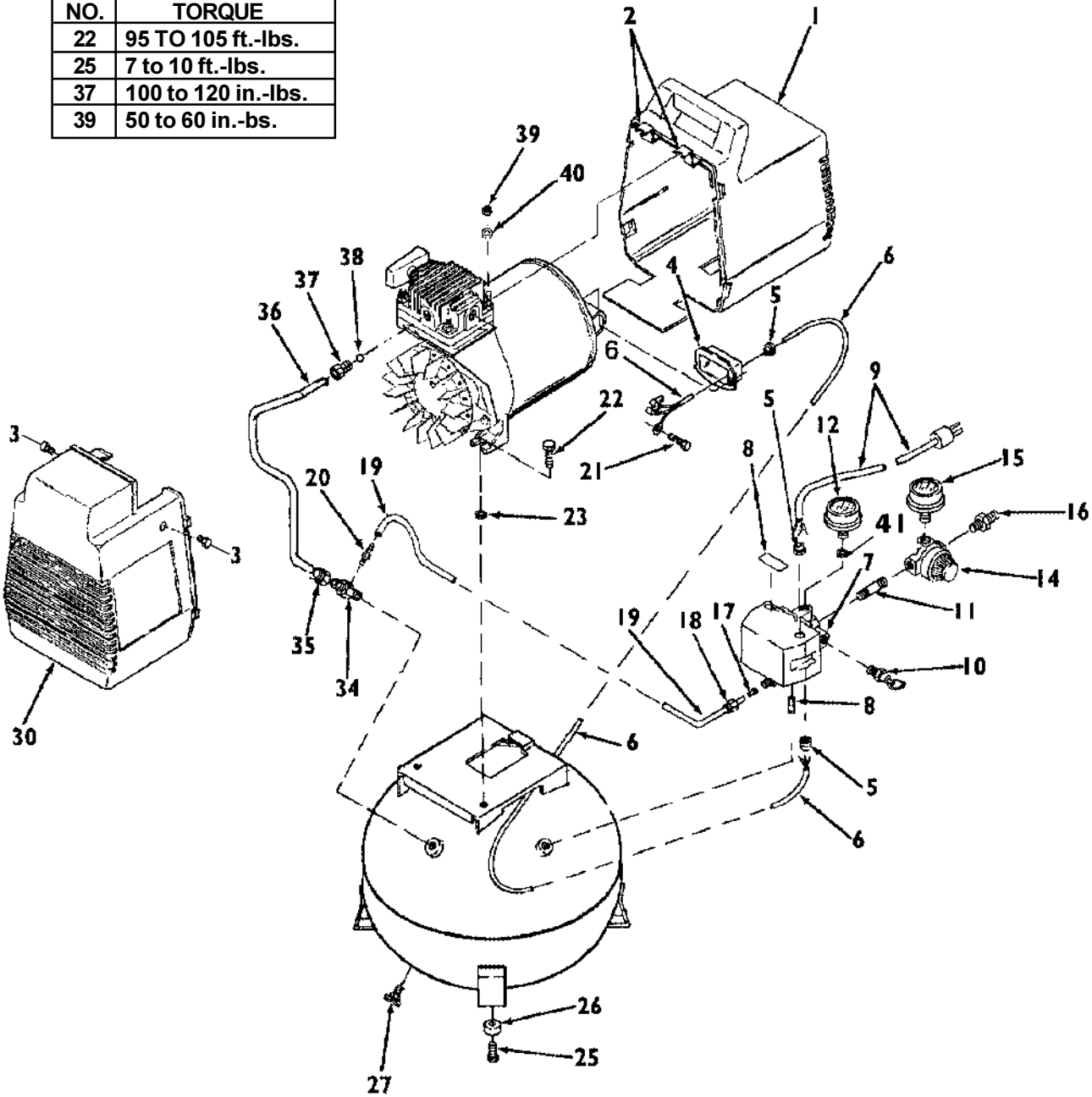


100E4D-1

KEY NO.	TORQUE
22	95 TO 105 ft.-lbs.
25	7 to 10 ft.-lbs.
37	100 to 120 in.-lbs.
39	50 to 60 in.-bs.

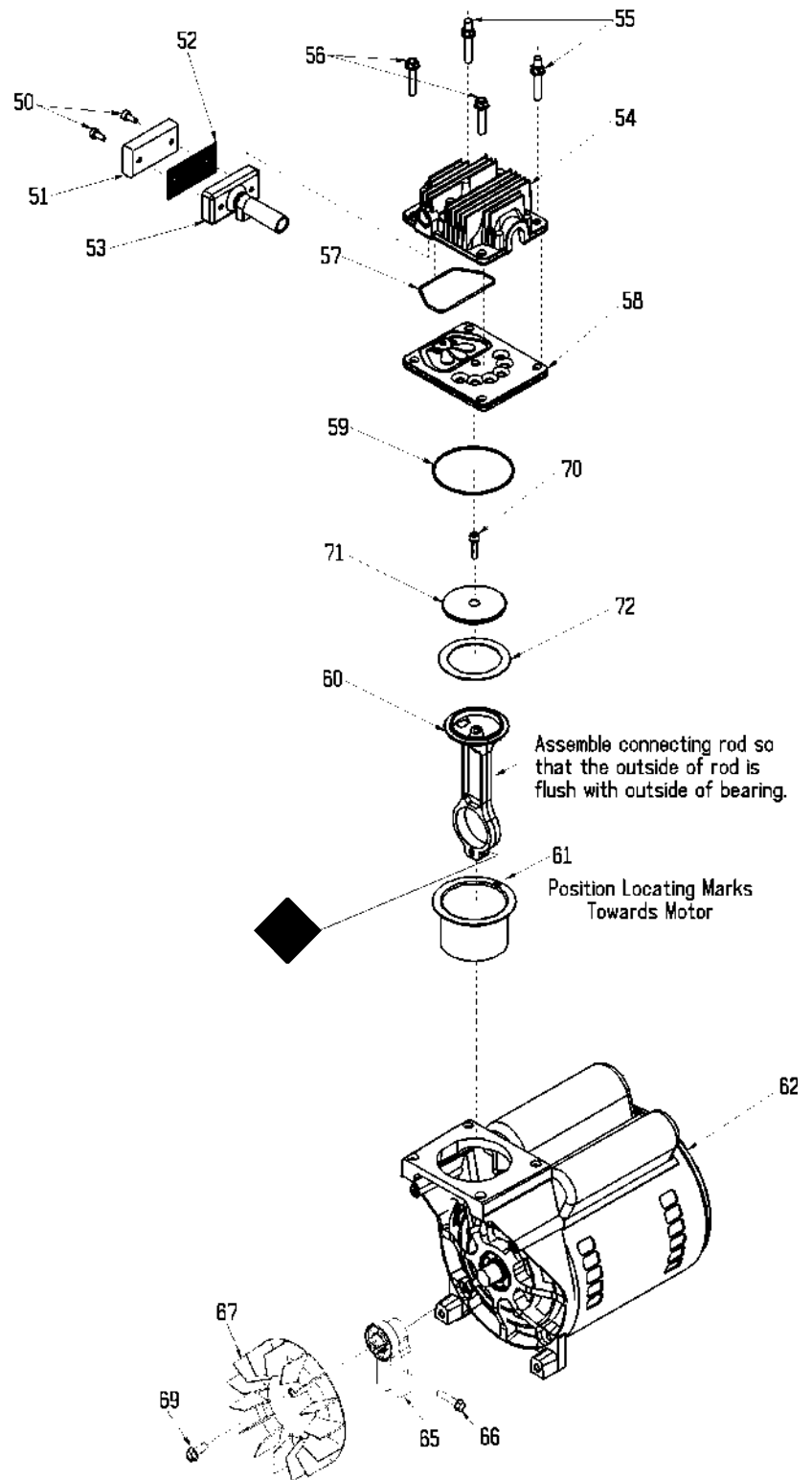


100E4D-1 (cont'd)

<u>KEY NO.</u>	<u>PART NUMBER</u>	<u>DESCRIPTION</u>
1	DAC-488-1	Rear shroud assembly (includes two #2)
2	CAC-1121	Bracket (2 used)
3	KK-4315	Pressure relief valve
4	CAC-1423	Terminal box
5	SSW-7367	Strain relief (3 used)
6	CAC-4205	Cord assembly - motor
7	CAC-4332-1	Pressure switch/manifold
8	SS-1286	Nipple
9	SUDL-403-1	Cord assembly - line
10	TIA-4150	Safety valve
11	SSP-480	Nipple
12	GA-369	Tank pressure gauge, 1/4 NPT thread
14	CAC-4296-1	Regulator
15	GA-369	Regulated pressure gauge, 1/8 NPT thread
16	H-2099	Adapter
17	SSP-9013	Tube insert
18	SSP-7811	Nut sleeve assembly (1/4")
19	CAC-1085-1	Pressure relief tube
20	SSP-6088	Barbed fitting
21	SUDL-9-1	Ground screw
22	SSF-928	Screw (2 used)
23	SSW-7462	Spacer
25	SSF-925	Screw (4 used)
26	SST-5314-1	Rubber foot (4 used)
27	SS-2707	Drain valve
30	DAC-246-1	Front shroud
34	CAC-4290-3	Check valve
35	SSP-7813	Nut sleeve assembly (for 3/8" O.D. tube)
36	AC-0128	Outlet tube
37	SSP-7821-1	Nut
38	CAC-3105	Sleeve
39	SS-655-ZN	Locknut (2 used)
40	SSN-60-ZN	Washer (2 used)
41	CAC-1178	Hold-down strip (2 used)

100E4D-1 (cont'd)

KEY NO.	TORQUE
55	7 to 10 Ft. Lbs.
56	7 to 10 Ft. Lbs.
66	100 to 120 In. Lbs.
69	80 to 100 In. Lbs.
◆	42 to 48 In. Lbs.



100E4D-1 (cont'd)

KEY	NO.	PART NUMBER	DESCRIPTION
	+ 50	---	Air filter fastener (2 used)
	51	DAC-143	Air filter
	+ 52	---	Muffler screen
	+ 53	---	Intake muffler
	54	AC-0037	Head
	55	SSF-589	Stud 1/4"-20 x 1 1/4"
	56	SSF-927	Screw 1/4-20 x 1 1/4"
	*✓ 57	ACG-45	O-Ring
	58	AC-0032	Valve plate assembly (includes valves, restrictors & screws)
	*✓ 59	SSG-8156	O-ring
	* 60	---	Connecting rod assembly
	*✓ 61	---	Cylinder sleeve (position locating mark toward motor)
	62	M0-3025-2	Motor
	65	AC-0107	Eccentric Flywheel Bearing Assy.
	66	SSF-615	Screw 1/4-20 unc-2A
	67	AC-0108	Fan
	69	SSF-615	Screw 1/4-20 unc x .75
	*✓ 70	SSF-3158-1	Screw 10-24 X .75 T25 Torx
	* 71	---	Connecting Rod Cap
	*✓ 72	---	Compression Ring

NOT ILLUSTRATED

KK-4315	Pressure Relief Valve Kit
MG2-OFTANK-4A	Owners Manual
MP2-100E4D-1B	Parts Manual

- + Keys 50, 52 and 53 can only be purchased as part of KK-4977 (also includes Key #51).
- * Keys 57, 59, 60, 61, 70, 71, and 72 are purchased as part of KK-4835 piston/cylinder kit.
- ✓ Keys 57, 59, 61, 70 and 72 can be purchased as part of K-0058 cylinder sleeve/ compression ring kit.