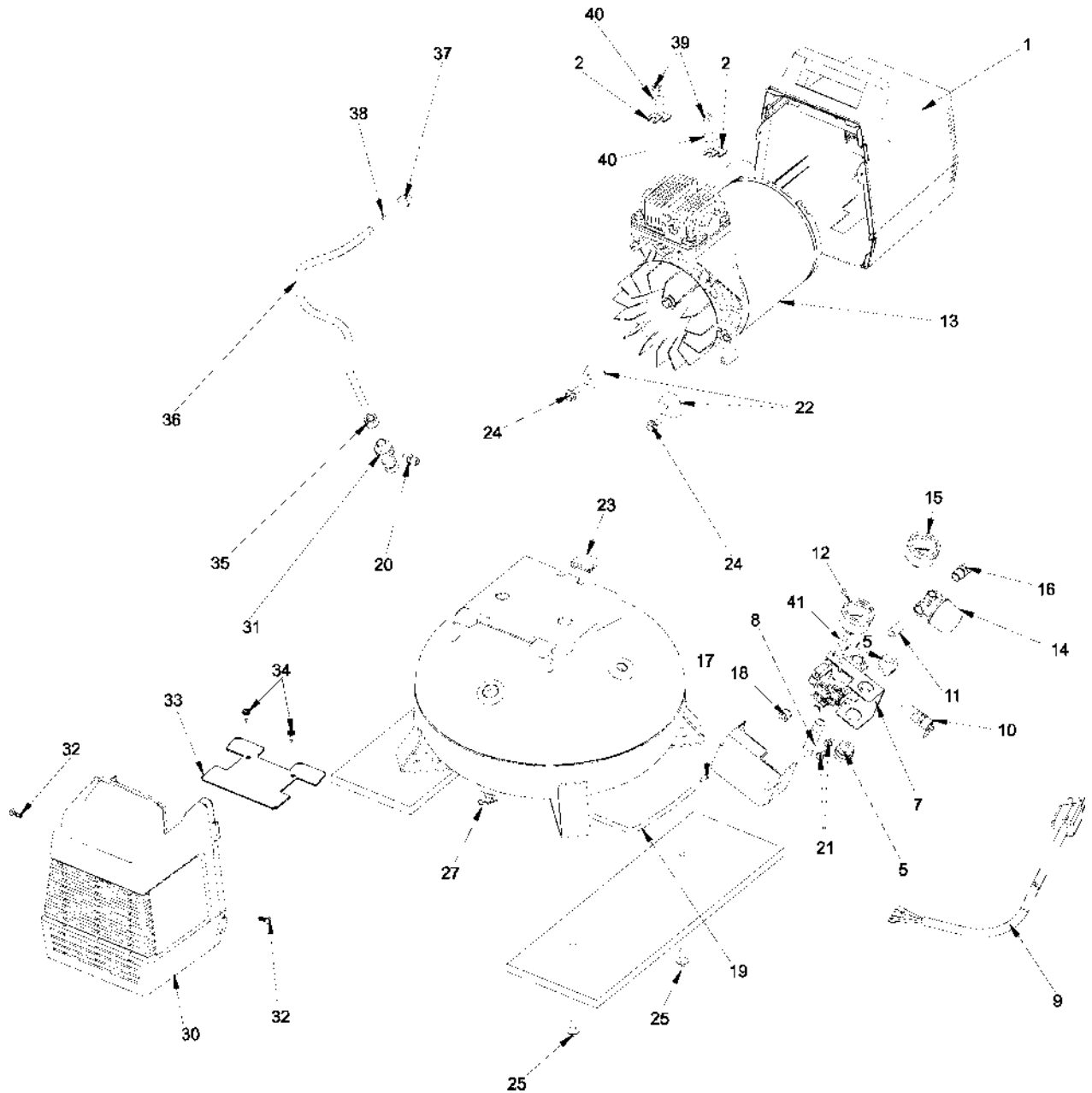


# 100E4D-2

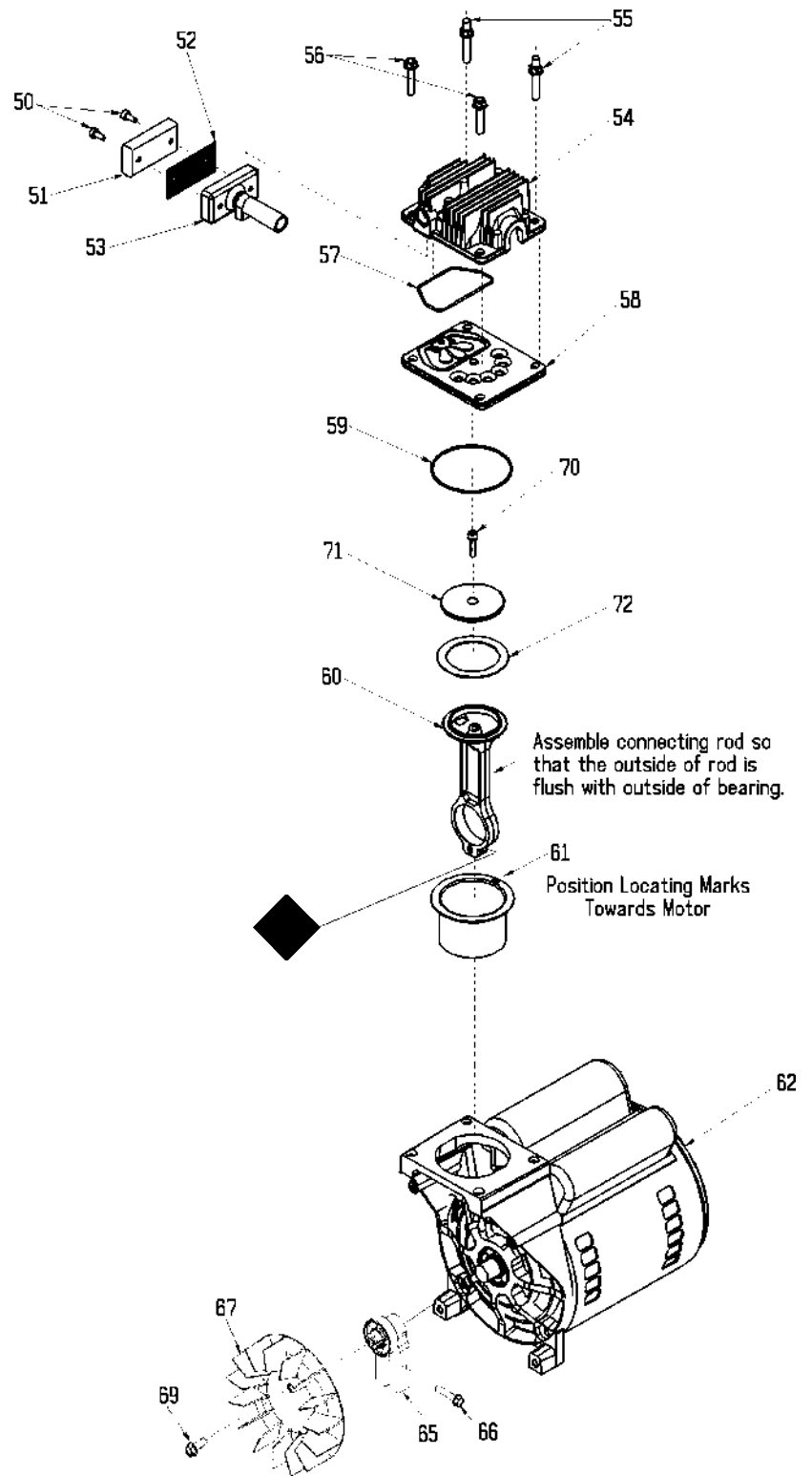


# 100E4D-2 (cont'd)

<b>KEY NO.</b>	<b>PART NUMBER</b>	<b>DESCRIPTION</b>
1	AC-0402	Rear shroud assembly
2	CAC-1121	Bracket (2 used)
5	SSW-7367	Strain relief (3 used)
7	AC-0439-1	Pressure switch/manifold
8	SSP-480	Nipple
9	SUDL-403-1	Power cord assembly
10	TIA-4150	Safety valve
11	SS-1286	Nipple
12	GA-369	Tank pressure gauge, 1/4 NPT thread
13	-----	Pump Assembly
14	CAC-4296-1	Regulator
15	GA-369	Regulated pressure gauge, 1/8 NPT thread
16	H-2099	Adapter
17	SSP-9013	Tube insert
18	SSP-7811	Nut sleeve assembly (1/4")
19	CAC-1085-1	Pressure relief tube
20	SSP-6088	Barbed fitting
21	SUDL-9-1	Ground screw (2 used)
22	ACG-18	Cup saddle mount (2 used)
23	ACG-19	Isolator (3 used)
24	91895680	Screw (2 used)
25	91895680	Screw (4 used)
27	SS-2707	Drain valve
28	-----	-----
29	-----	-----
30	AC-0401	Front shroud
31	CAC-4290-3	Check valve
32	SSF-3156	Screw (2 used)
33	AC-0397	Fan guard
34	SSF-953-ZN	Fan guard screw (2 used)
35	SSP-7813	Nut sleeve assembly (for 3/8" O.D. tube)
36	AC-0405	Outlet tube
37	SSP-7821-1	Nut
38	SSG-3105	O-Ring
39	SS-655-ZN	Locknut (2 used)
40	SSN-60-ZN	Washer (2 used)
41	SSP-6021	Reducer bushing

# 100E4D-2 (cont'd)

KEY NO.	TORQUE
55	7 to 10 Ft. Lbs.
56	7 to 10 Ft. Lbs.
66	100 to 120 In. Lbs.
69	80 to 100 In. Lbs.
◆	42 to 48 In. Lbs.



# 100E4D-2 (cont'd)

<b>KEY</b>		
<b>NO.</b>	<b>PART NUMBER</b>	<b>DESCRIPTION</b>
+ 50	---	Air filter fastener (2 used)
+ 51	DAC-143	Air filter
+ 52	---	Muffler screen
+ 53	---	Intake muffler
54	AC-0037	Head
55	SSF-589	Stud 1/4"-20 x 1 1/4"
56	SSF-927	Screw 1/4-20 x 1 1/4"
*✓ 57	ACG-45	O-Ring
58	AC-0032	Valve plate assembly (includes valves, restrictors & screws)
*✓ 59	SSG-8156	O-ring
* 60	---	Connecting rod assembly
* 61	---	Cylinder sleeve (position locating mark toward motor)
62	M0-9047-1	Motor
65	AC-0107	Eccentric Flywheel Bearing Assy.
66	SSF-586	Screw 1/4-20 unc-2A
67	AC-0108	Fan
69	SSF-586	Screw 1/4-20 unc x .75
*✓ 70	SSF-3158-1	Screw 10-24 X .75 T25 Torx
* 71	---	Connecting Rod Cap
*✓ 72	---	Compression Ring

## **NOT ILLUSTRATED**

KK-4315	Pressure Relief Valve Kit
MG2-OFTANK-4A	Owners Manual
MP2-100E4D-2B	Parts Manual

- + Keys 50, 52 and 53 can only be purchased as part of KK-4977 (also includes Key #51).
- \* Keys 57, 59, 60, 61, 70, 71, and 72 are purchased as part of KK-4835 piston/cylinder kit.
- ✓ Keys 57, 59, 61, 70 and 72 can be purchased as part of K-0058 cylinder sleeve/ compression ring kit.