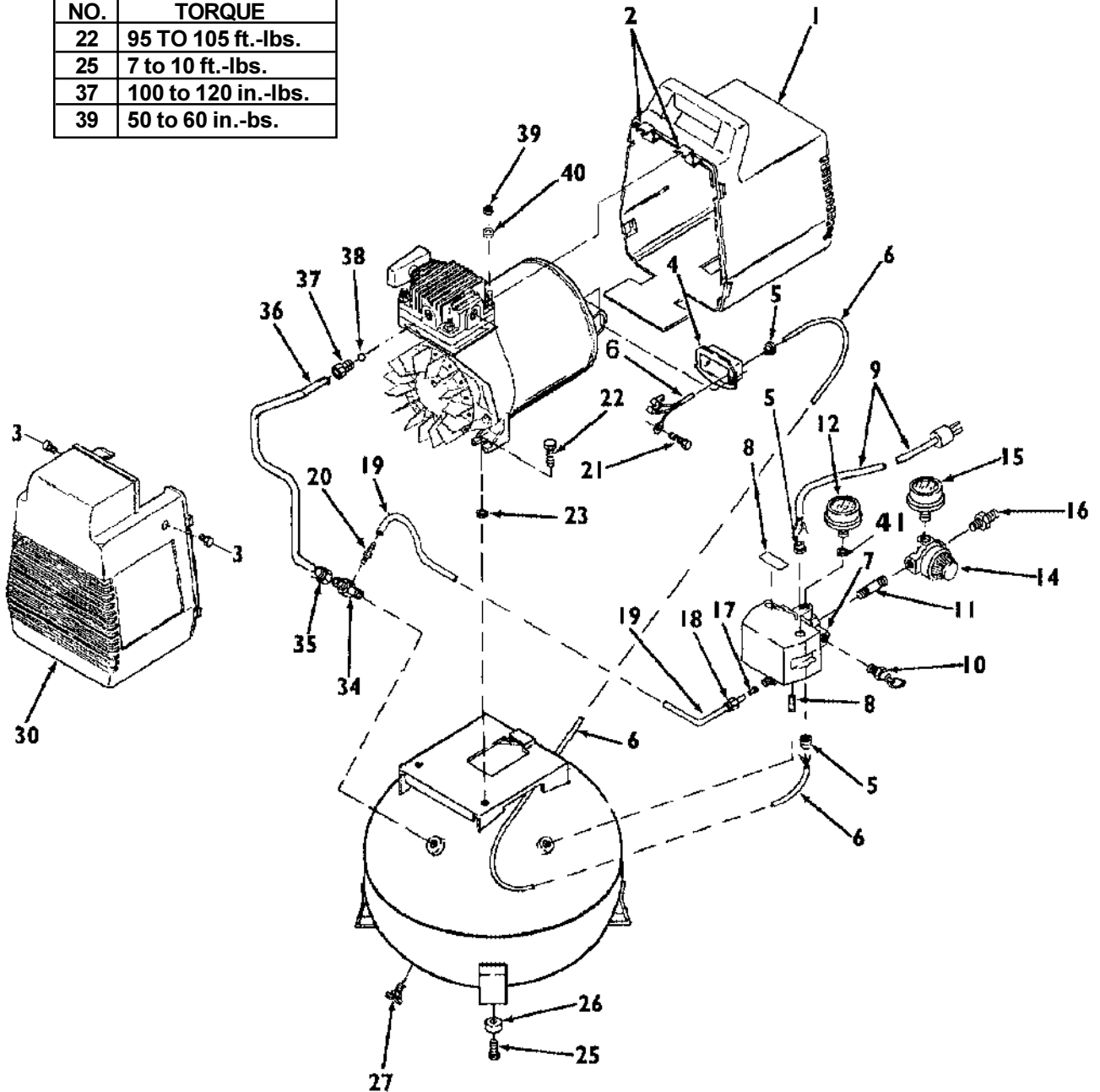


# 100E4D

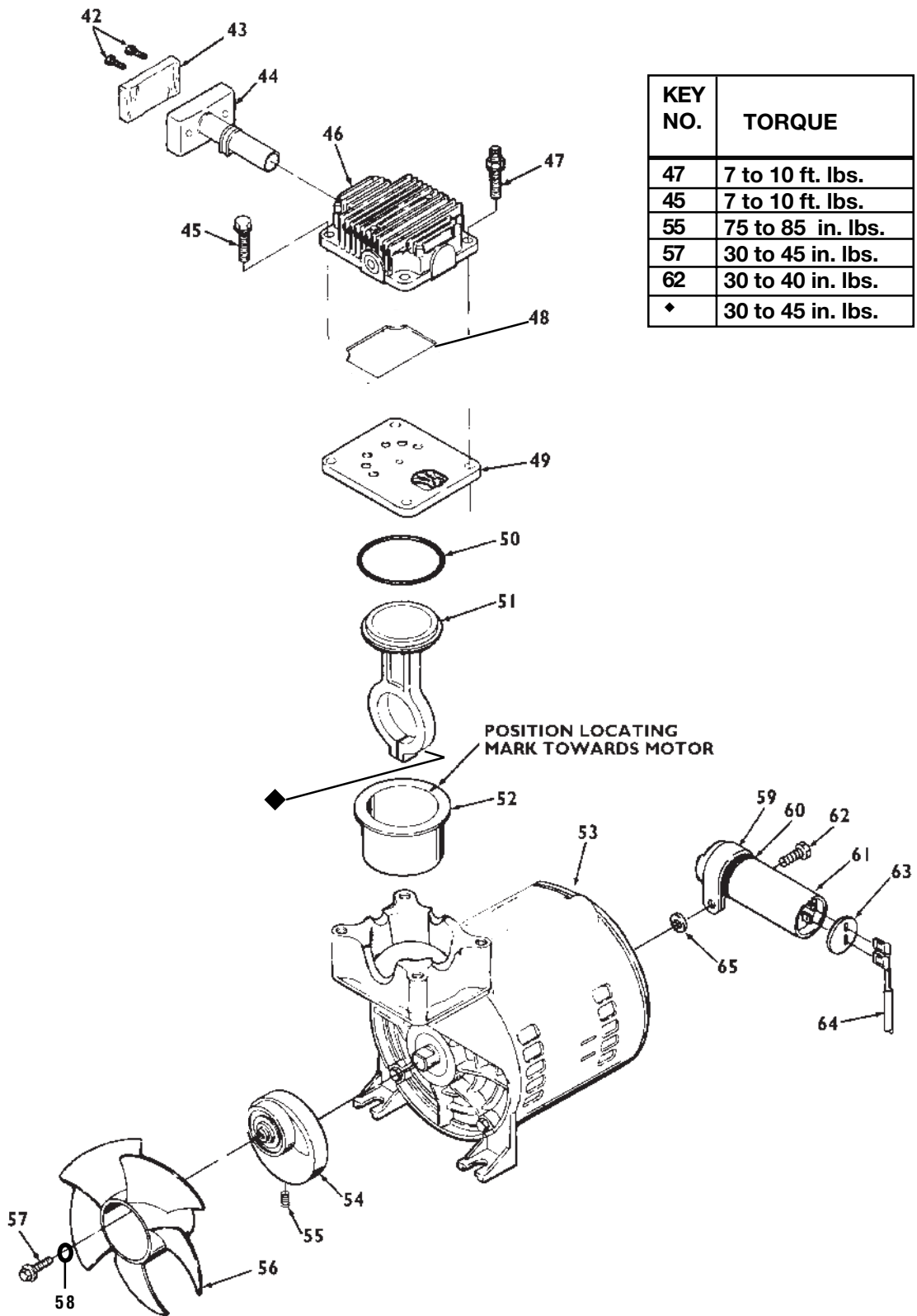
KEY NO.	TORQUE
22	95 TO 105 ft.-lbs.
25	7 to 10 ft.-lbs.
37	100 to 120 in.-lbs.
39	50 to 60 in.-bs.



# 100E4D (cont'd)

<b><u>KEY NO.</u></b>	<b><u>PART NUMBER</u></b>	<b><u>DESCRIPTION</u></b>
1	DAC-488-1	Rear shroud assembly (includes two #2)
2	CAC-1121	Bracket (2 used)
3	KK-4315	Pressure relief valve
4	CAC-1423	Terminal box cover
5	SSW-7367	Strain relief (3 used)
6	CAC-4205	Cord assembly - motor
7	CAC-4332-1	Pressure switch/manifold
8	SS-1286	Nipple
9	SUDL-403-1	Cord assembly - line
10	TIA-4150	Safety valve
11	SS-2071	Nipple
12	C-GA-346	Tank pressure gauge, 1/4 NPT thread
13	CAC-1279	Reducer
14	CAC-4296-1	Regulator
15	C-GA-345	Regulated pressure gauge, 1/8 NPT thread
16	H-2099	Adapter
17	SSP-9013	Tube insert
18	SSP-7811	Nut sleeve assembly (1/4")
19	CAC-1085	Pressure relief tube
20	SSP-6088	Barbed fitting
21	SSF-993	Ground screw
22	SSF-928	Screw (2 used)
23	SSW-7462	Spacer
25	SSF-925	Screw (4 used)
26	SST-5314-1	Rubber foot (4 used)
27	SS-2707	Drain valve
30	DAC-246-1	Front shroud
34	CAC-4290-3	Check valve
35	SSP-7813	Nut sleeve assembly (for 3/8" O.D. tube)
36	CAC-1168	Outlet tube
37	SSP-7821-1	Nut
38	CAC-1120	Sleeve
39	SS-655-ZN	Locknut (2 used)
40	SSN-60-ZN	Washer (2 used)
41	SSP-6021	Reducer bushing 1/8" - 1/4" NPT

# 100E4D (cont'd)



KEY NO.	TORQUE
47	7 to 10 ft. lbs.
45	7 to 10 ft. lbs.
55	75 to 85 in. lbs.
57	30 to 45 in. lbs.
62	30 to 40 in. lbs.
♦	30 to 45 in. lbs.

# 100E4D (cont'd)

<b>KEY</b>	<b>NO.</b>	<b>PART NUMBER</b>	<b>DESCRIPTION</b>
●	42	-----	Intake Filter Fasteners (2 used)
●	43	DAC-143	Air filter
●	44	-----	Intake muffler
	45	SSF-990	Screw 1/4"-20 x 1 1/4" (2 used)
	46	ACG-26	Head
	47	SSF-6640	Stud 1/4"-20 x 1 1/4" (2 used)
	48	ACG-45	O-ring
	49	ACG-402	Valve plate assembly (includes valves, restrictors & screws)
	50	SSG-8156	O-ring
+	51	-----	Connecting rod assembly
+	52	-----	Cylinder sleeve ( position locating mark towards motor)
	53	MO-3025-2	Motor 1 HP
	54	CAC-4306-2	Eccentric/flywheel & bearing assembly
	55	SSF-3153	Screw
	56	CAC-1055-1	Fan
	57	SSF-3157	Screw #10-24 x 3/8"
	58	SS-6505-CD	Washer
	59	DAC-118	Capacitor bracket
	60	-----	Electrical tape
	61	SSE-3106	Capacitor - 2 terminal
	62	SSF-1320	Screw
	63	DAC-120	Capacitor insulator
	64	CAC-1177	Capacitor wire assy.
	65	SSN-1024-ZN	Lock washer
		<b><u>NOT ILLUSTRATED</u></b>	
		MG2-OFTANK-4A	Owners Manual
		MP2-100E4D	Parts Manual

† Keys #51 & 52 can only be purchased as part of KK-4835 Connecting Rod Kit.

● Keys 42, 43 & 44 can only be purchased as part of KK-4977 Service Kit.