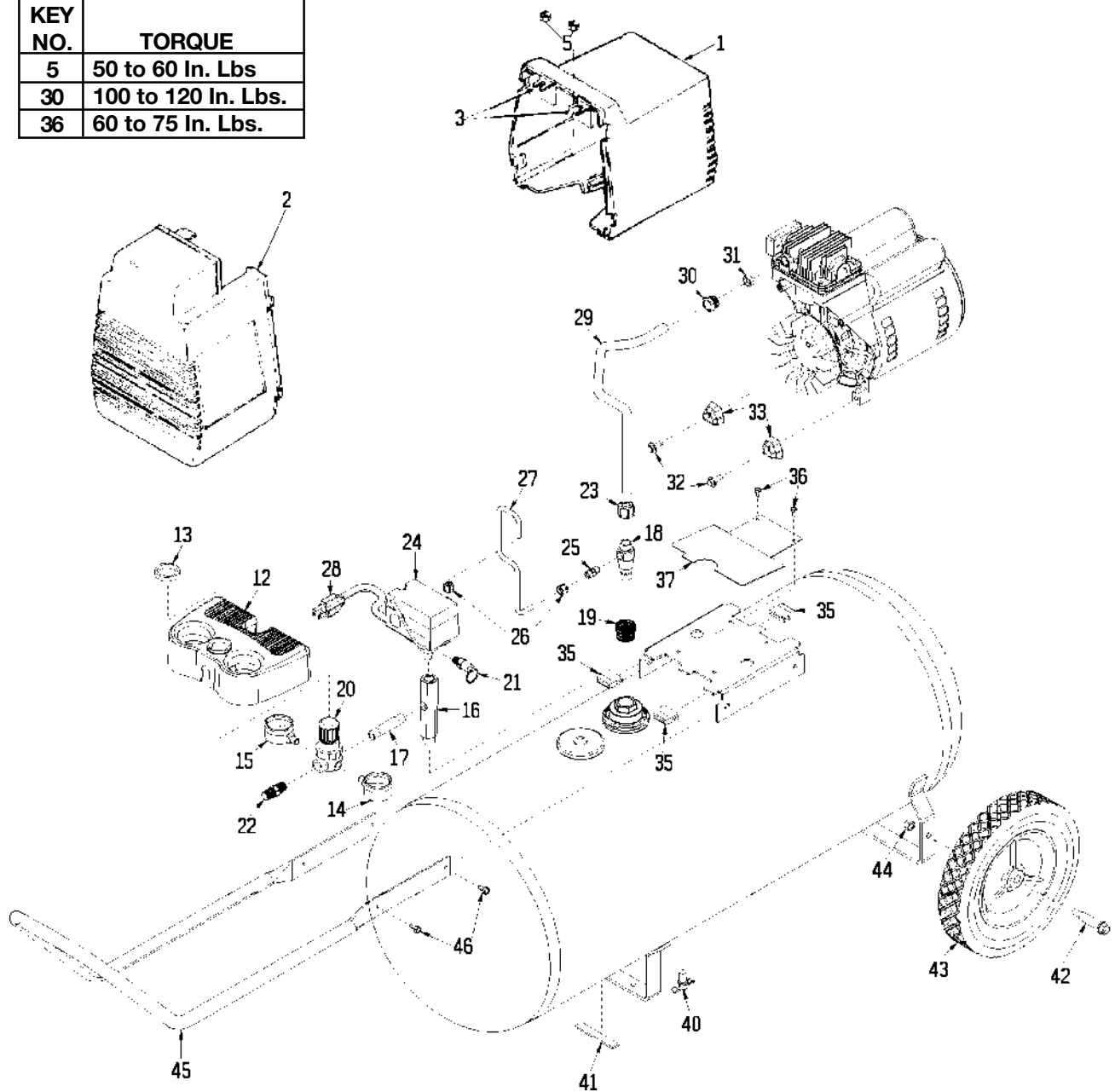


100E8AD-3

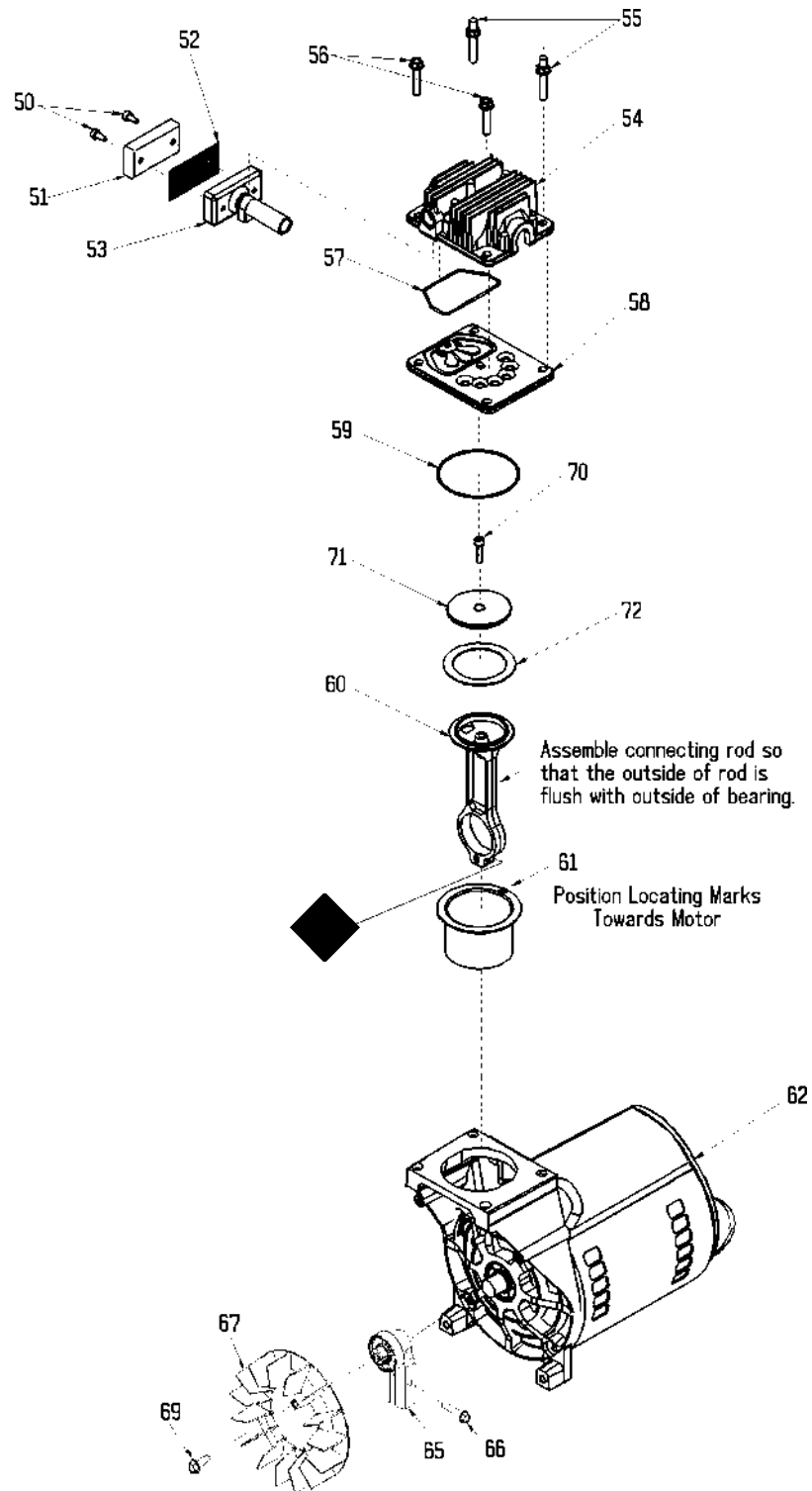
KEY NO.	TORQUE
5	50 to 60 In. Lbs
30	100 to 120 In. Lbs.
36	60 to 75 In. Lbs.



100E8AD-3 (cont'd)

KEY NO.	PART NUMBER	DESCRIPTION
1	AC-0054	Shroud, Rear
2	AC-0077	Shroud, Front
3	CAC-1121	Bracket (2 used)
5	SS-655-ZN	Hex Nut 1/4" - 20 (2 used)
12	AC-0011	Console, Cover
13	CAC-61	Ring, Panel Mounting
14	AC-0009-1	Gaugle, RT Hand
15	AC-0010-1	Gauge, LT Hand
16	AC-0027-1	Manifold
17	SSP-480	Nipple, 1/4 x 2.5"
18	CAC-4290-3	Check Valve
19	SSP-490	Reducer
20	AC-0007	Regulator
21	97503734	Safety Valve
22	H-2101	Adaptor
23	SSP-7813	Nut/Sleeve Assy.
24	AC-0008-2	Pressure Switch
25	SS-8553	Connector Body
26	SSP-7811	Nut/Sleeve Assy. (2 used)
27	AC-0160	Pressure Relief Tube
28	SUDL-403-1	Cord Assembly
29	AC-0125	Outlet Tube
30	SSP-7821-1	Nut Brass Compression (3 used)
31	SSG-3105	O-Ring
32	91895680	Screw, 1/4 - 20 X .75
33	ACG-18	Cup, Saddle Mount (2 used)
35	ACG-19	Isolator (3 used)
36	SSF-953-ZN	Screw 10 x 5/8 (2 used)
37	AC-0047	Fan Guard
40	SS-2707	Drain Valve
41	SUDL-6-1	Strip, Rubber Foot
42	CAC-60	Shoulder Bolt (2 used)
43	CAC-4299	Wheel - 6" (2 used)
44	SSF-8080-ZN	Nut, Hex 3/8" (2 used)
45	AC-0001	Handle
46	SSF-981	Screw (4 used)

100E8AD-3 (cont'd)



100E8AD-3 (cont'd)

KEY		
<u>NO.</u>	<u>PART NUMBER</u>	<u>DESCRIPTION</u>
+ 50	---	Air filter fastener (2 used)
51	DAC-143	Air filter
+ 52	---	Muffler screen
+ 53	---	Intake muffler
54	AC-0037	Head
55	SSF-589	Stud 1/4"-20 x 1 1/4"
56	SSF-927	Screw 1/4-20 x 1 1/4"
*✓ 57	ACG-45	O-Ring
58	Z-AC-0032	Valve plate assembly (includes valves, restrictors & screws)
*✓ 59	SSG-8156	O-ring
* 60	---	Connecting rod assembly
*✓ 61	---	Cylinder sleeve (position locating mark toward motor)
62	Z-M0-9047	Motor
65	Z-AC-0140	Eccentric Flywheel Bearing Assy.
66	SSF-990	Screw 1/4-20 unc-2A
67	AC-0108	Fan
69	SSF-586	Screw 1/4-20 unc x .75
*✓ 70	SSF-3158-1	Screw 10-24 X .75 T25 Torx
* 71	---	Compression Ring Connecting Rod Cap
*✓ 72	---	Compression Ring

NOT ILLUSTRATED

KK-4315	Valve Replacement Kit
MG2-OFTANK-4A	Owners Manual
MP2-100E8D-3	Parts Manual

- + Keys 50, 52 and 53 can only be purchased as part of KK-4977 (also includes Key #51).
- * Keys 57, 59, 60, 61, 70, 71, and 72 are purchased as part of KK-4835 piston/cylinder kit.
- ✓ Keys 57, 61, 70 and 72 can be purchased as part of K-0058 cylinder sleeve/compression ring kit.