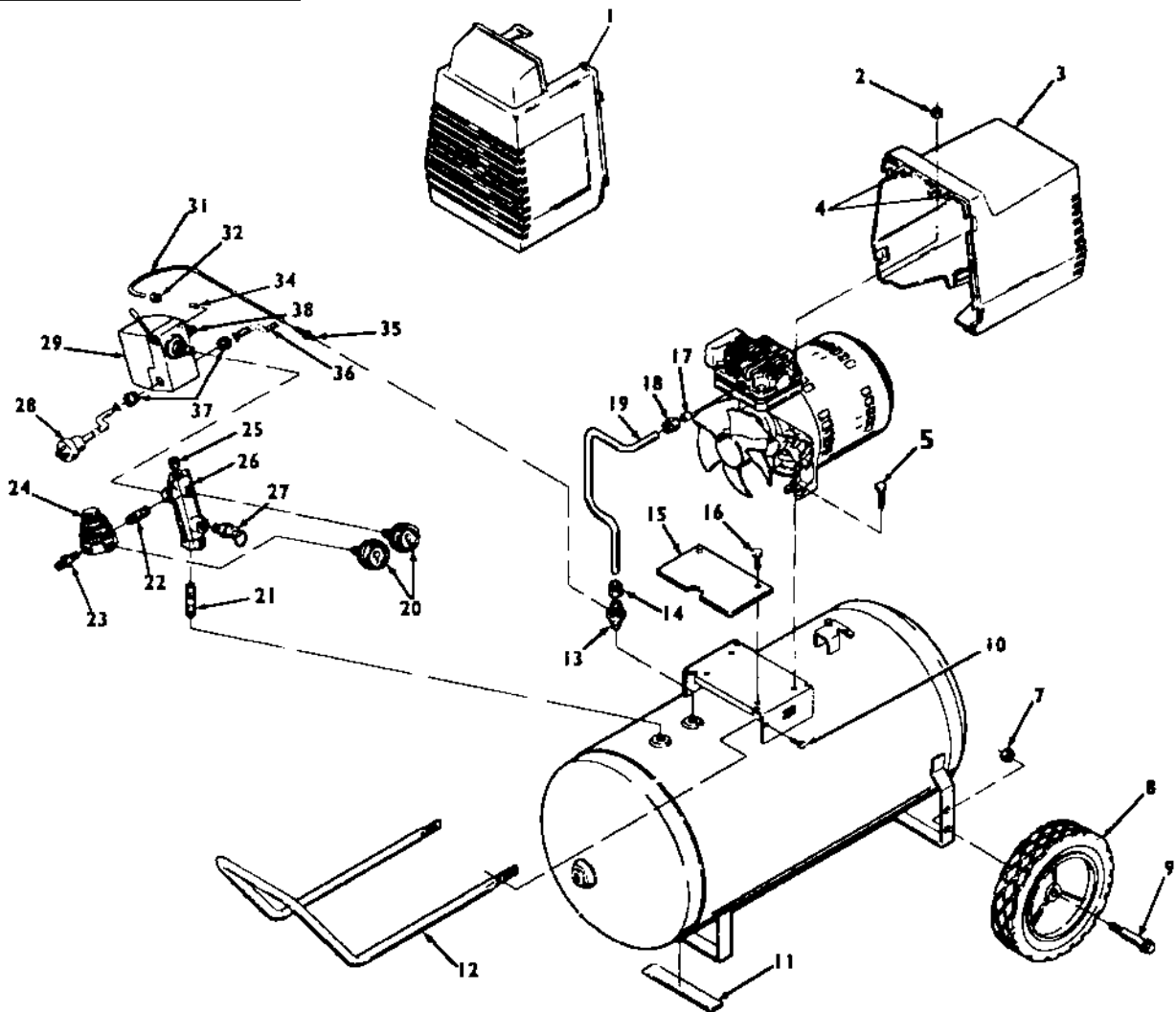


100E8AD

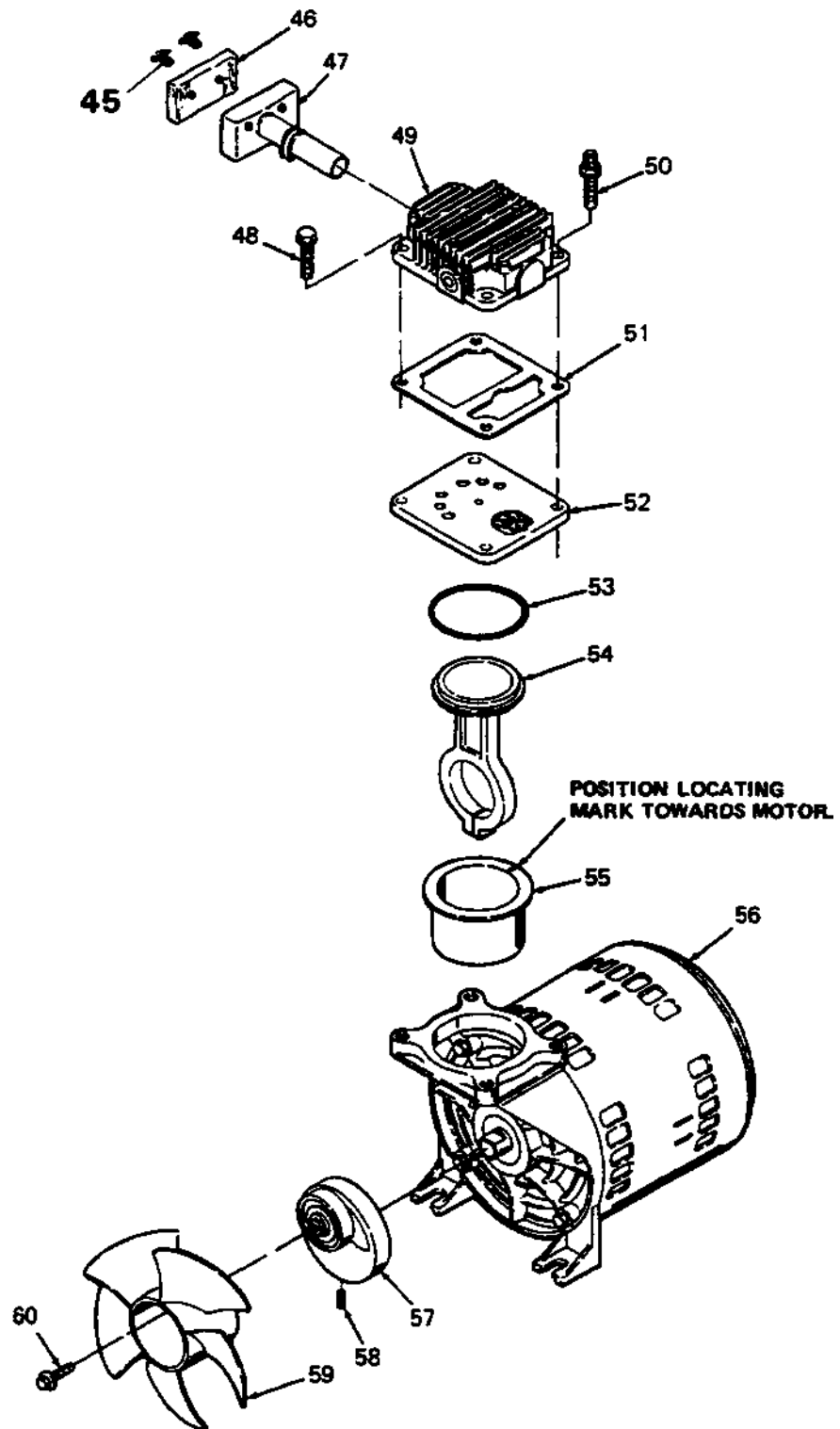
KEY NO.	TORQUE
2	50 to 60 In.-Lbs
5	100 to 120 In.-Lbs.
18	60 to 75 In.-Lbs.



100E8AD (cont'd)

Key		
No.	Part Number	Description
1	DAC-157	Shroud - front
2	SS-655-ZN	Hex nut 1/4" - 20 (2 used)
3	DAC-485	Shroud - rear assembly (includes 2 ea. #4)
4	CAC-1121	Shroud bracket (2 used)
5	SSF-928	Screw (2 used)
7	SSF-8080-ZN	Nut 3/8" - 16 (2 used)
8	CAC-4299	Wheel (2 used)
9	CAC-60	Shoulder bolt 3/8" - 16 x 2 1/4" (2 used)
10	SSF-981	Sheet metal screw 1/4" x 3/4" long (2 used)
11	SUDL-6-1	Rubber foot strip
12	CAC-1304-1	Handle
13	CAC-4290-3	Check valve
14	SSP-7813	Nut sleeve assembly (for O.D. Tube)
15	DAC-115	Shroud plate
16	SSN-8001	Ratchet fastener (2 used)
17	CAC-1120	Silicone sleeve
18	SSP-7821	Nut (torque 60-70 in.-lbs.)
19	CAC-1083-1	Outlet tube
20	C-GA-345	Pressure gauge (2 used)
21	SS-2072	Nipple (3/8 NPT x 1 1/2" long)
22	SS-2071	Nipple (1/4" NPT x 1 1/2" long)
23	H-2099	Adapter
24	CAC-4296	Regulator
25	SS-3222-CD	Pipe plug 1/4" NPT
26	CAC-280	Manifold
27	TIA-4125	Safety Valve
28	SUDL-403-1	Cord Assembly - line (100E8AD)
	SUDL-413-1	Cord Assembly - line (C100E8AD)
29	CAC-4220-2	Pressure switch
31	CAC-1085	Pressure relief tube (warm tube before installing on #42)
32	SSP-7811	Nut sleeve assembly (1/4")
33	SSW-7385	Strain relief (C100E8AD only)
34	SSP-9013	Tube insert
35	SSP-6088	Barbed fitting
36	CAC-4215-1	Cord assembly - motor
37	SSW-7367	Strain relief (2 used 10038AD) (1 used C100E8AD)
38	KK-4315	Pressure release valve and mounting nut (included with #29)

100E8AD (cont'd)



100E8AD (cont'd)

KEY NO.	<u>PART NUMBER</u>	<u>DESCRIPTION</u>
+ 45	-----	Fastener, Filter
+ 46	DAC-143	Air Filter
+ 47	-----	Intake Muffler
48	SSF-990	Screw 1/4"-20 x 1 1/4" (6 used, torque 7-10 ft./lbs.)
49	KK-5040	Head
50	SSF-6640	Stud 1/4"-20 x 1 1/4" (2 used, torque 7-10 ft./lbs.)
51	CAC-1066	Gasket
52	KK-5040	Valve Plate Assembly (includes valves, restrictors & screws)
* 53	SSG-8156	O-ring
* 54	-----	Connecting Rod Assembly (torque screw 30-35 in./lbs.)
* 55	-----	Cylinder Sleeve (position locating mark towards motor)
56	C-M0-3005-2-B	Motor 1 HP
57	Z-CAC-4306-2	Eccentric Bearing Assy.
58	SSF-2043	Screw (eccentric/flywheel, torque 50-60 in./lbs.)
59	CAC-1055-1	Fan
60	SSF-3101	Screw 1/4-28 UNF long (torque 30-35 in./lbs.)
<u>NOT ILLUSTRATED</u>		
	H-7038	Air Hose Assembly (1/4" I.D. x 15')
	SSH-20	Air Chuck
	SS-2707	Drain Valve
	MG2-OFTANK-4A	Owners Manual
	MP2-100E8D-1	Parts Manual

* Keys 54 & 55 can only be purchased as part of KK-4835 connecting rod kit.

+ Keys 45, 46 and 47 can only be purchased as part of KK-4977.