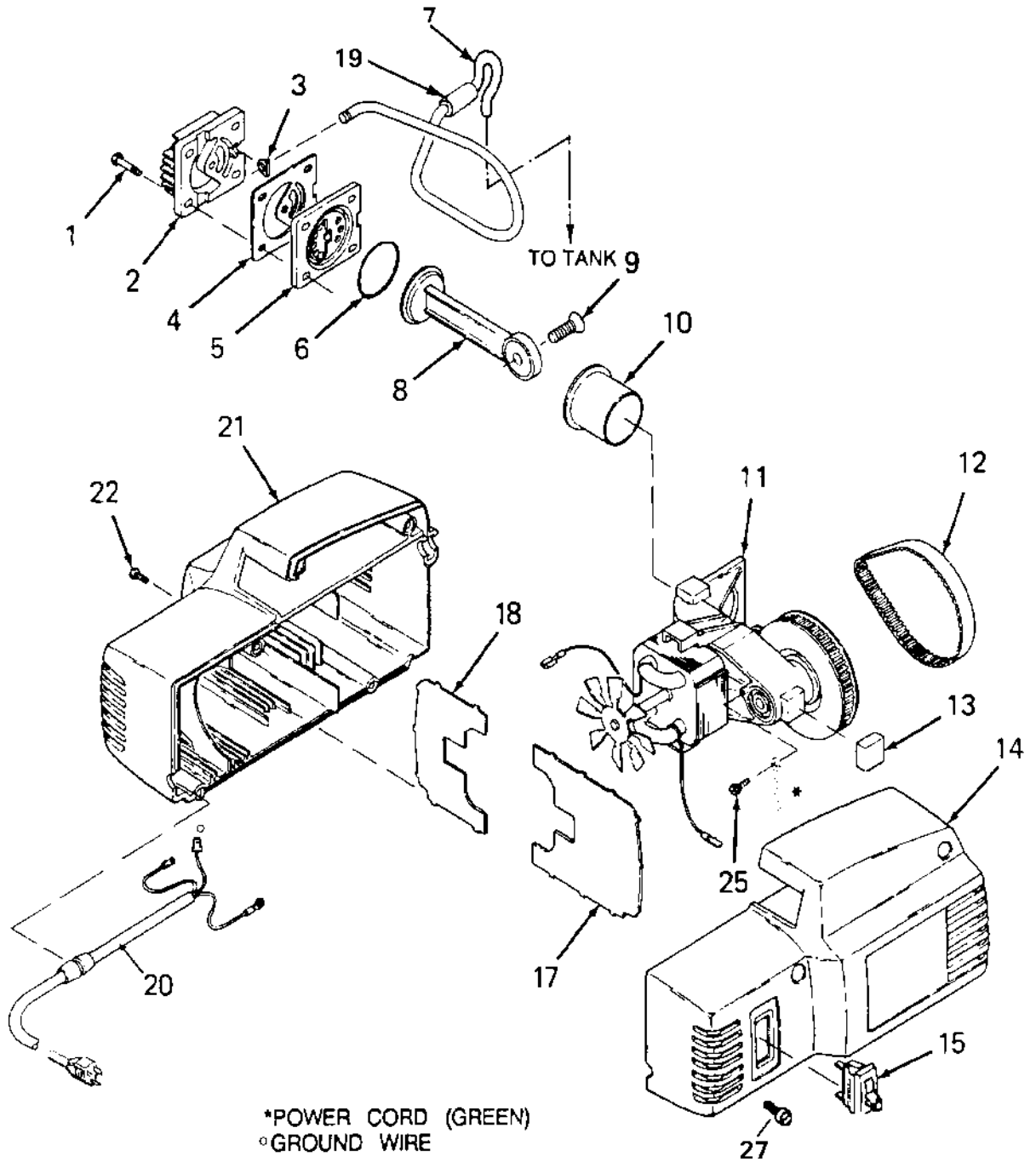


# 102D-1



# 102D-1 (cont'd)

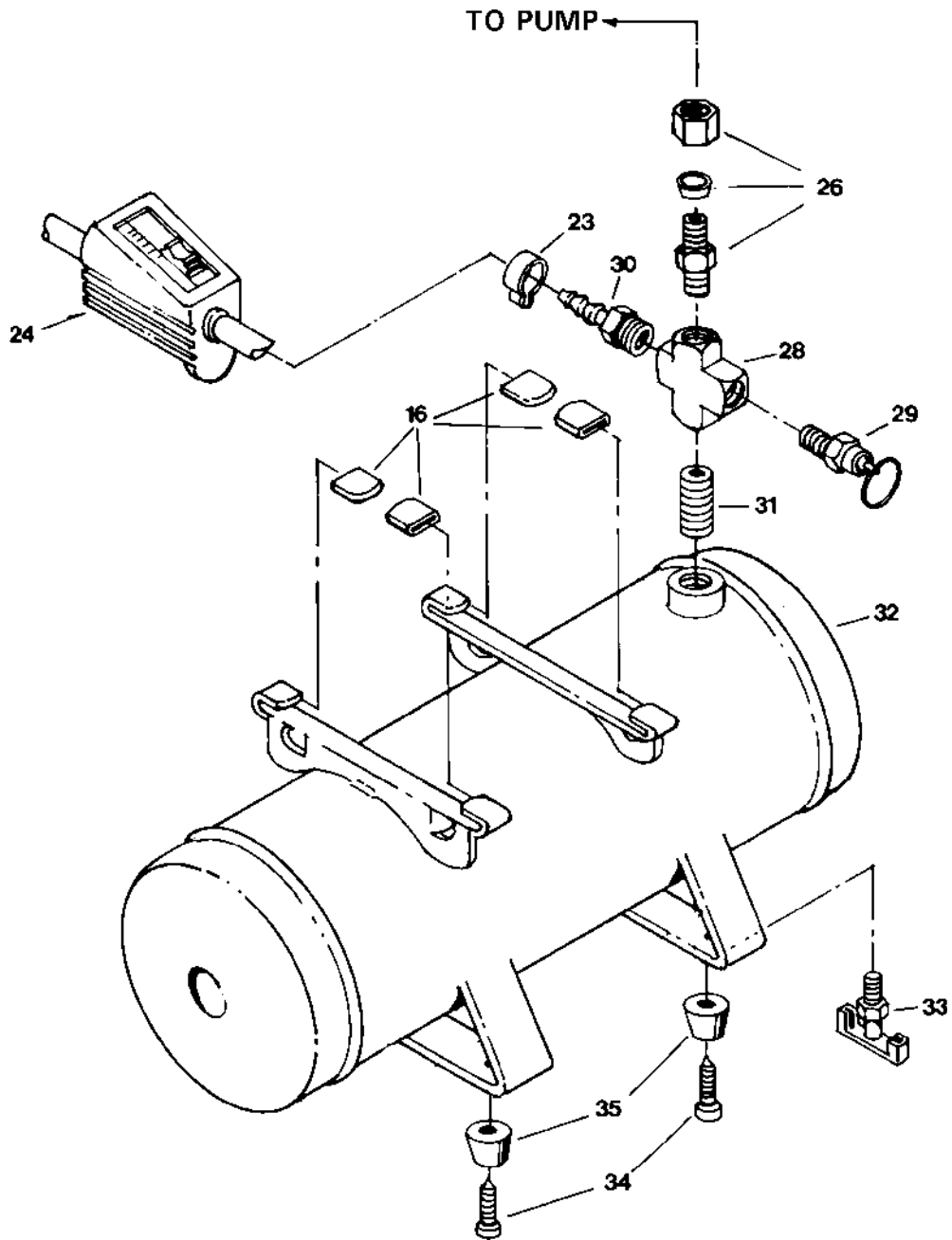
<b>KEY NO.</b>	<b>PART NUMBER</b>	<b>DESCRIPTION</b>
<b>X</b> 1	-----	Screw #10-24 x 7/8 LG. hex head thd forming (4 used)
2	CAC-1196	Cylinder head
* 3	-----	Tube seal
* 4	-----	Head gasket
5	CAC-4323	Valve plate assembly
* 6	-----	"O" ring
7	CAC-1289	Outlet tube
● 8	-----	Rod assembly
<b>X</b> 9	-----	Screw 3/8-16 x 1.25 LG. hex socket flat head
● 10	-----	Cylinder sleeve
11	-----	Endbell assembly
12	CAC-1342	Timing belt
* 13	-----	Pump isolator (5 required)
14	DAC-163	Shroud (right) for 102D-1
	DAC-168	Shroud (right) for C102D-1
* 15	SSS-16	Switch
<b>+</b> 16	-----	Tank isolator (4 required)
<b>+</b> 17	-----	Motor baffle (right)
18	-----	Motor baffle (left)
19	AC-0206	Isolator (tube)
20	CAC-4074	Cord assembly
21	DAC-162	Shroud (left) 102D-1
	DAC-162	Shroud (left) C102D-1
<b>X</b> 22	-----	Screws (5 used)
<b>X</b> 25	SUDL-9-1	Screws, ground #8-32 x 3/8 LG. Slotted hex head, thd forming

## **NOT ILLUSTRATED**

MGP-102D-2 Owners Manual

- \* KK-4930 Isolator Kit includes items 3, 4, 6, 13, 16.
- X KK-4929 Fastener Kit includes items 1, 9, 22, 25.
- + KK-4980 Baffle Kit includes items, 17, 18.
- KK-4964 Connecting Rod Kit includes items 8, 10.

# 102D-1 (cont'd)



# 102D-1 (cont'd)

## KEY

<u>NO.</u>	<u>PART NUMBER</u>	<u>DESCRIPTION</u>
23	CAC-1206	Clamp(2 used)
24	CAC-4324	Pressure Valve Assembly for 102D-1
	CAC-4076	Pressure Valve Assembly for C102D-1
26	SSP-6102	Male Connector
* 27	-----	Screw (tank retention) (as required)
28	SSP-3305-NI	Pipe Cross
29	TIA-4150	Safety Valve
30	H-2105	Hose Connection
31	SS-1286	Nipple
33	SS-2707	Drain Cock
* 34	—	Screw, self tapping
* 35	—	Recess Bumper

## NOT ILLUSTRATED

SSH-8	Air Chuck
H-2099	Adapter

\* KK-4949 Isolator Kit includes items 3, 4, 6, 13, 16, 34, 35, 27