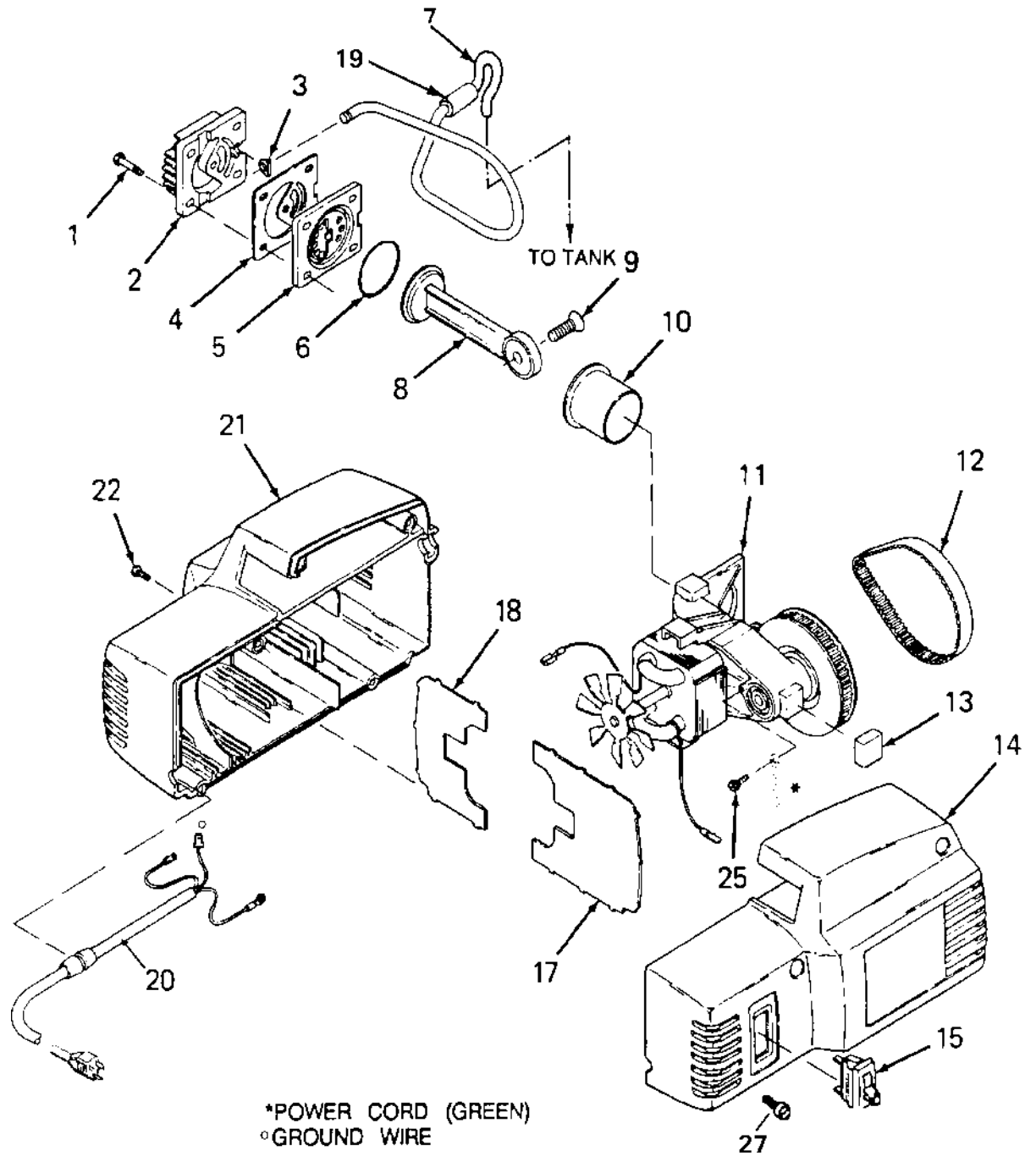


102D-2



102D-2 (cont'd)

KEY NO.	PART NUMBER	DESCRIPTION
X 1	-----	Screw #10-24 x 7/8 LG. hex head thd forming (4 used)
2	CAC-1196	Cylinder head
* 3	-----	Tube seal
* 4	-----	Head gasket
5	CAC-4323	Valve plate assembly
* 6	-----	"O" ring
7	CAC-1289	Outlet tube
● 8	-----	Rod assembly
X 9	-----	Screw 3/8-16 x 1.25 LG. hex socket flat head (torque to 350 In/Lb)
● 10	-----	Cylinder sleeve
11	-----	Endbell assembly
12	CAC-1342	Timing belt
* 13	-----	Pump isolator (5 used)
14	AC-0456	Shroud (right)
15	SSS-16	Switch
* 16	-----	Tank isolator (4 required)
+ 17	-----	Motor baffle (right)
+ 18	-----	Motor baffle (left)
19	AC-0206	Isolator (tube)
20	CAC-4074	Cord assembly
21	AC-0455	Shroud (left)
X 22	-----	Screw (5 used)

NOT ILLUSTRATED

MGP-102D-3 Owners Manual

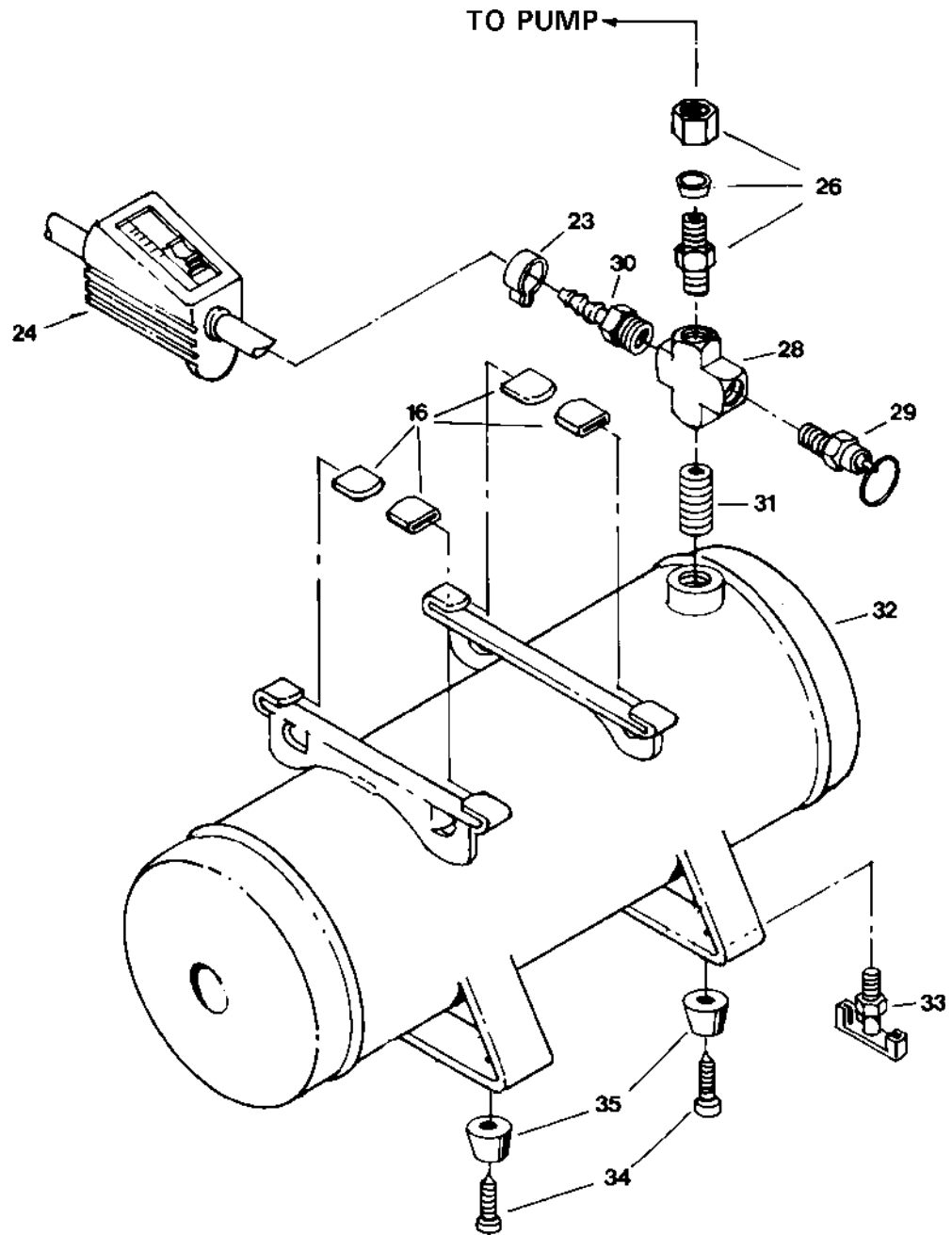
* KK-4930 Isolator Kit includes items 3, 4, 6, 13, 16.

X KK-4929 Fastener Kit includes items 1, 9, 22, 25.

+ KK-4980 Baffle Kit includes items, 17, 18.

● KK-4964 Connecting Rod Kit includes items 8, 10.

102D-2 (cont'd)



102D-2 (cont'd)

KEY

NO.	PART NUMBER	DESCRIPTION
23	CAC-1206-1	Clamp(2 used)
24	CAC-4324	Pressure Valve Assembly for 102D-1
	CAC-4076	Pressure Valve Assembly for C102D-1
26	SSP-6102	Male Connector
* 27	-----	Screw (tank retention) (as required)
28	SSP-3305-NI	Pipe Cross
29	TIA-4150	Safety Valve
30	H-2105	Hose Connection
31	SS-1286	Nipple
33	SS-2707	Drain Cock
* 34	—	Screw, self tapping
* 35	—	Recess Bumper

NOT ILLUSTRATED

SSH-8	Air Chuck
H-2099	Adapter

* KK-4949 Isolator Kit includes items 3, 4, 6, 13, 16, 34, 35, 27