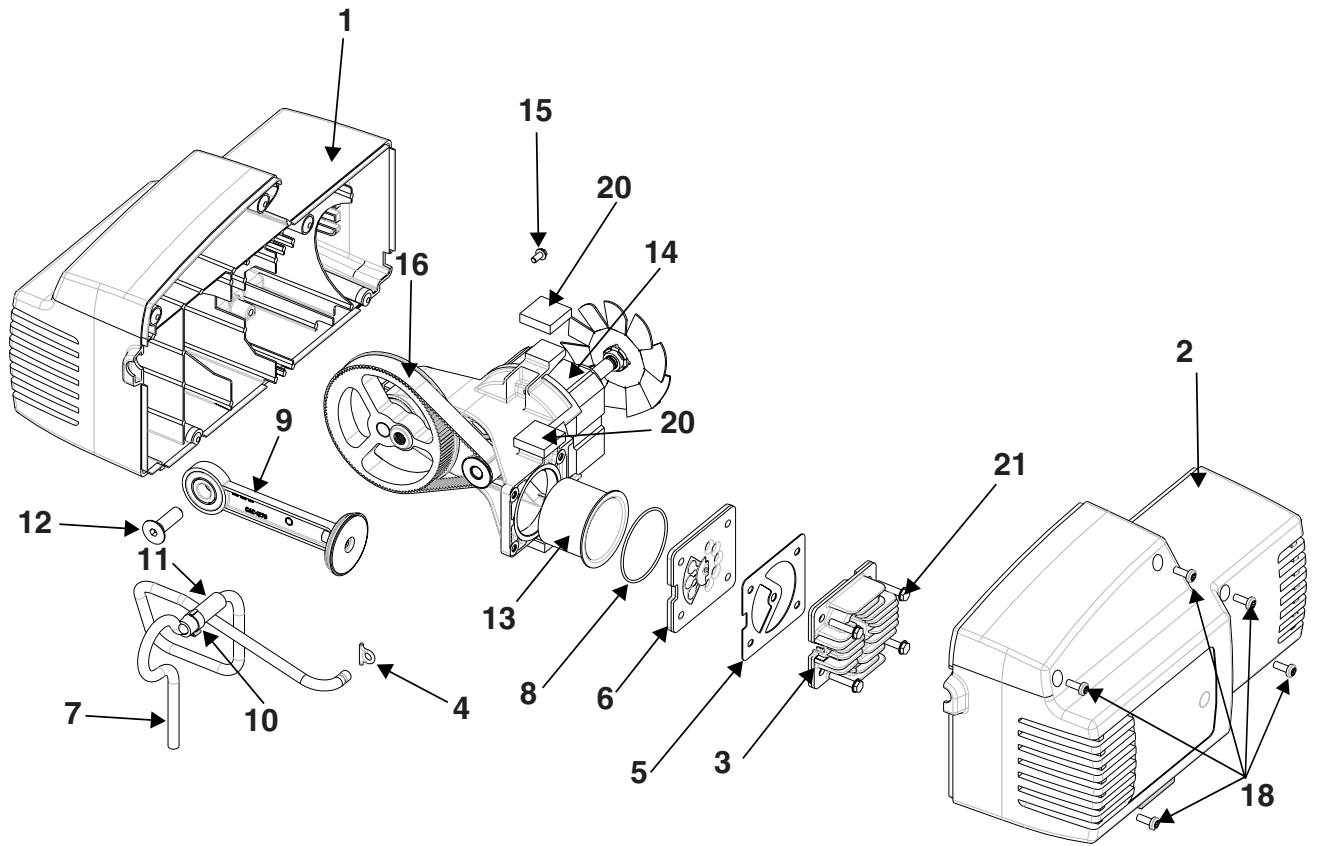


102D-3



102D-3 (cont'd)

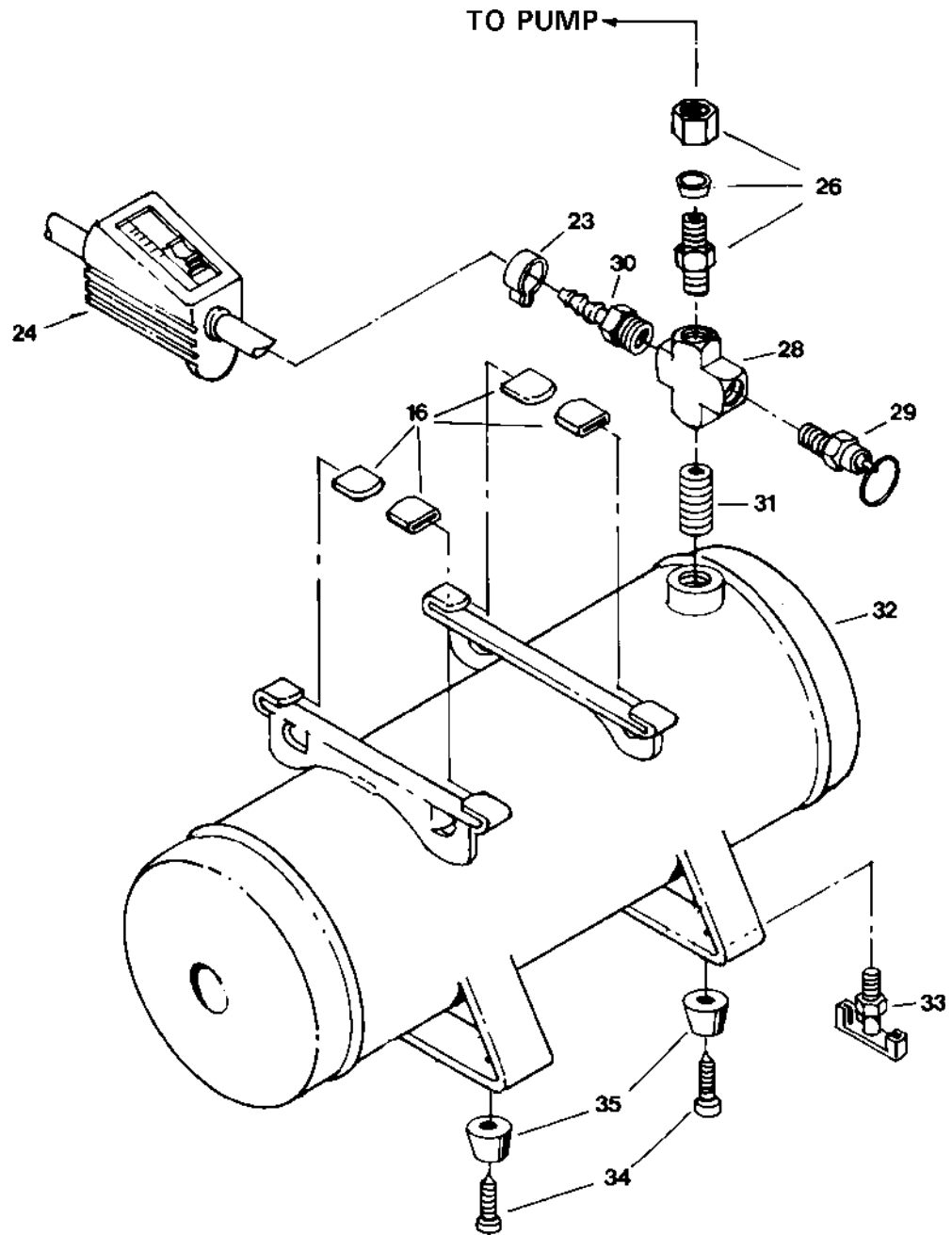
Key No.	Part Number	Description
1	AC-0456	Shroud, Left
2	AC-0455	Shroud, Right
3	CAC-1196	Cylinder Head
* 4	CAC-1212	Tube Seal
* 5	CAC-1199	Gasket Head
6	CAC-4323	Valve Plate Assembly
7	DAC-269	Outlet Tube
* 8	SSG-8169	O-ring
+ 9	-----	Rod Assembly
10	CAC-1206-1	Clamp
11	AC-0206	Tube Isolator
x12	SSF-3147	Screw, 3/8-16 socket head
+13	-----	Cylinder Sleeve
14	-----	Endbell Assembly
x15	SUDL-9-1	Screw, 8-32x .375/.344
16	CAC-1342	Timing Belt
18	SSF-3156	Screw, 10-9x.50Plastite
19	AC-0475	Motor Cord
*20	CAC-1213	Pump Isolator (5 used)
x21	SSF-995	Screw #10-24 x 7/8 (4 used)

NOT ILLUSTRATED

MGP-102D-3 Owners Manual

- * KK-4930 – Isolator Kit includes 4,5,8,20
- + KK-4964 – Connecting Rod Kit includes 9,13
- x KK-4929 – Fastener Kit includes 12,15,21

102D-3 (cont'd)



102D-3 (cont'd)

KEY

NO.	PART NUMBER	DESCRIPTION
23	CAC-1206-1	Clamp(2 used)
24	CAC-4324	Pressure Valve Assembly for 102D-1
	CAC-4076	Pressure Valve Assembly for C102D-1
25	—	Ground Screw
26	SSP-6102	Male Connector
* 27	—	Screw (tank retention) (as required)
28	SSP-3305-NI	Pipe Cross
29	TIA-4150	Safety Valve
30	H-2105	Hose Connection
31	SS-1286	Nipple
33	SS-2707	Drain Cock
* 34	—	Screw, self tapping
* 35	—	Recess Bumper

NOT ILLUSTRATED

SSH-8	Air Chuck
H-2099	Adapter

* KK-4949 Isolator Kit includes items 3, 4, 6, 13, 16, 34, 35, 27