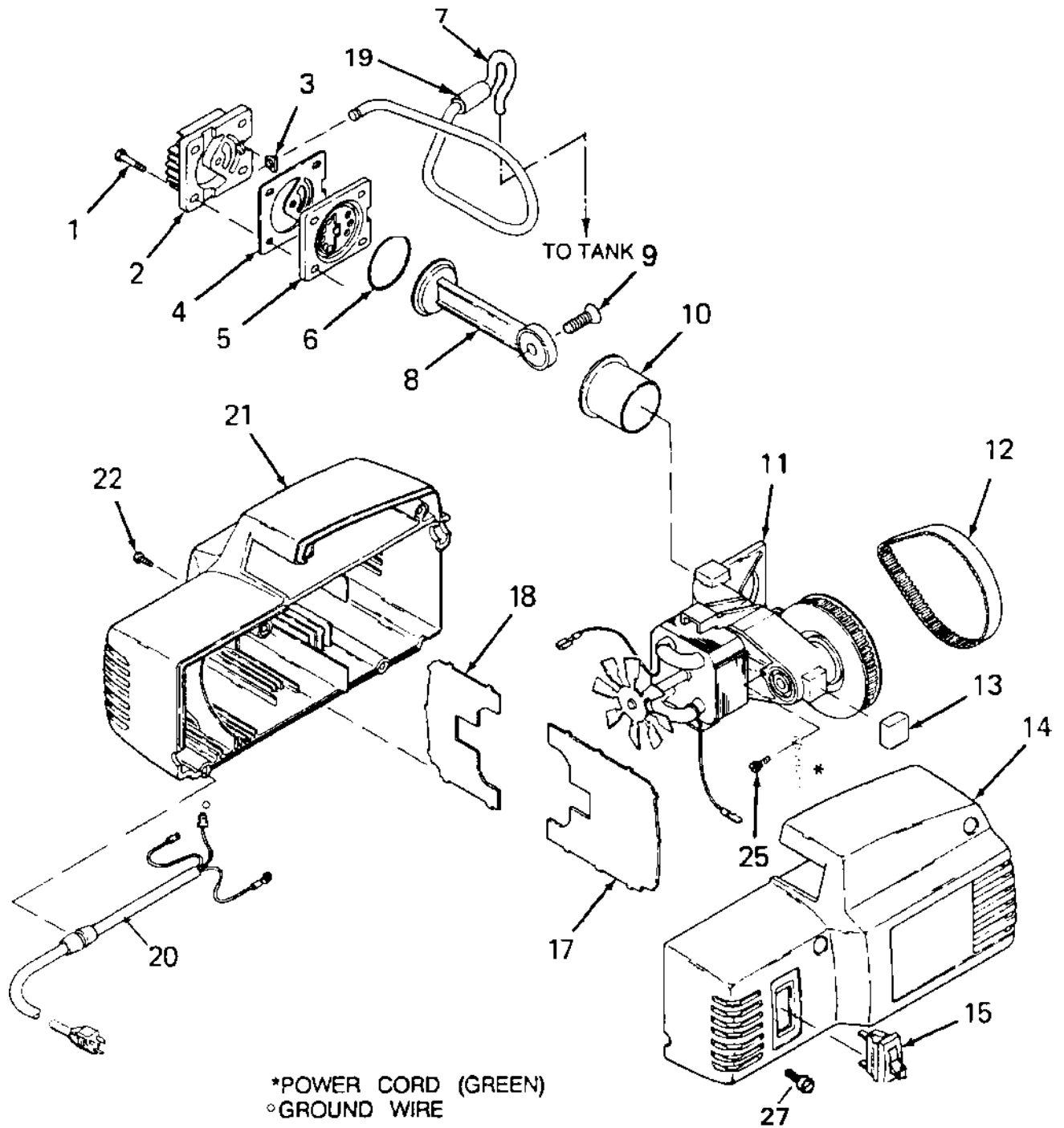


# 102D



# 102D (cont'd)

<b>KEY NO.</b>	<b>PART NUMBER</b>	<b>DESCRIPTION</b>
X 1	SSF-995	Screw #10-24 x 7/8 LG. hex head thd forming (4 used)
2	CAC-1196	Cylinder head
* 3	CAC-1212	Tube seal
* 4	CAC-1199	Head gasket
5	CAC-4323	Valve plate assembly
* 6	SSG-8169	"O" ring
7	CAC-1289	Outlet tube
● 8	-----	Rod assembly
X 9	SSF-3147	Screw 3/8-16 x 1.25 LG. hex socket flat head
● 10	-----	Cylinder sleeve
11	-----	Endbell assembly
12	CAC-1207	Timing belt
* 13	CAC-1213	Pump isolator
14	CAC-1191-1	Shroud (right)
15	SSS-16	Switch
* 16	CAC-1211	Housing isolator
+ 17	CAC-1202	Motor baffle (right)
+ 18	CAC-1203	Motor baffle (left)
19	AC-0206	Isolator Tube
20	CAC-4074	Cord assembly
21	CAC-1190-1	Shroud (left)
X 22	SSF-3156	Screw #10-9 x 1/2 LG. Phillips head thd forming (4 used)
23	CAC-1206	Clamp
24	CAC-4324	Pressure valve assembly
X 25	SUDL-9-1	Screws, ground #8-32 x 3/8 LG. Slotted hex head, thd forming

## **NOT ILLUSTRATED**

MGP-102D-1 Owners Manual

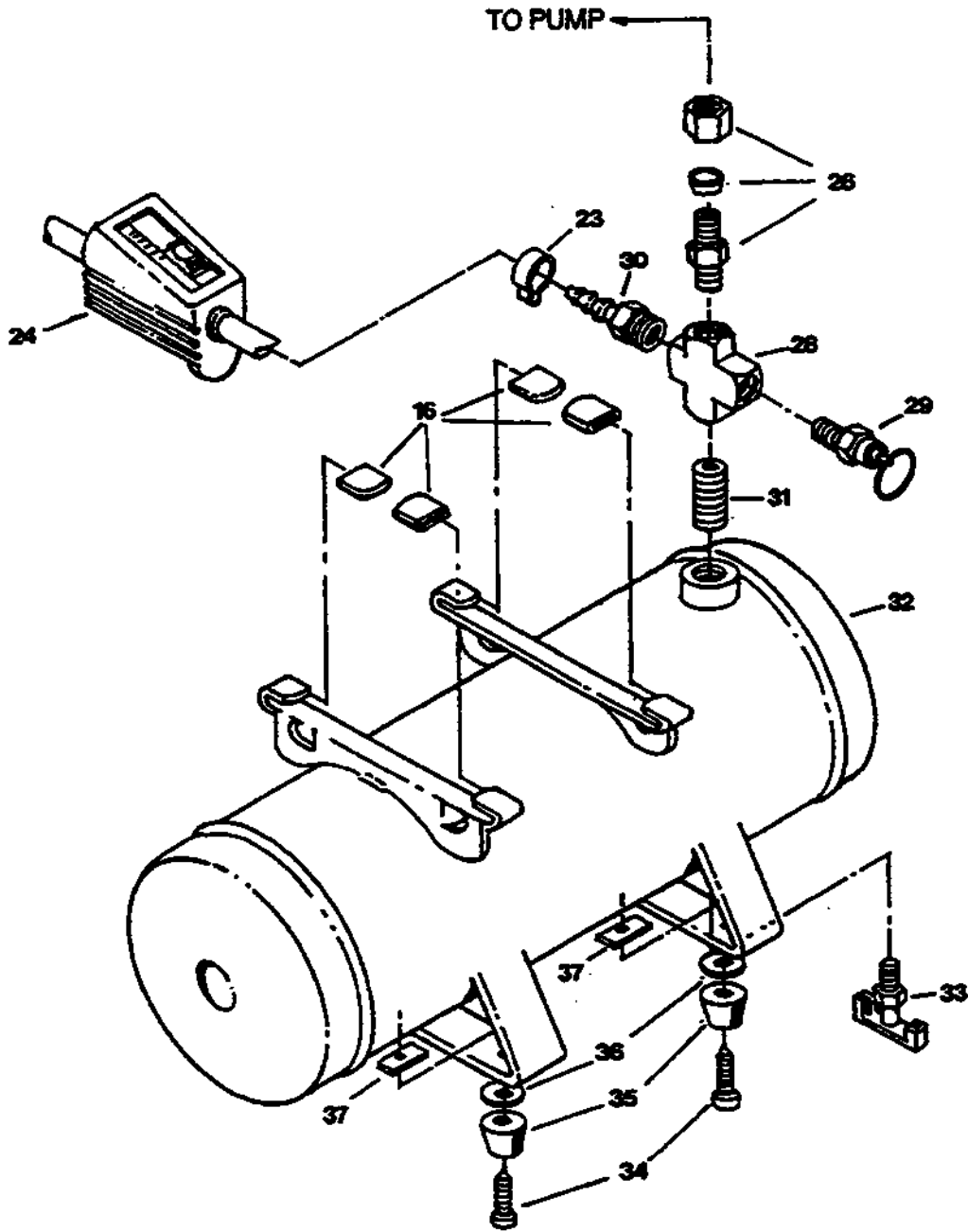
\* KK-4930 Isolator Kit includes items 3, 4, 6, 13, 16.

X KK-4929 Fastener Kit includes items 1, 9, 22, 25.

+ KK-4980 Baffle Kit includes items, 17, 18.

● KK-4964 Connecting Rod Kit includes items 8, 10.

# 102D (cont'd)



# 102D (cont'd)

## KEY

<b><u>NO.</u></b>	<b><u>PART NUMBER</u></b>	<b><u>DESCRIPTION</u></b>
26	SSP-6102	Male Connector
* 27	SSF-3151	Screw (tank retention) (as required)
28	SSP-3305-NI	Pipe Cross
29	TIA-4150	Safety Valve
30	H-2105	Hose Connection
31	SS-1286	Nipple
33	SS-2707	Drain Cock
* 34	SSF-983-ZN	Screw, self tapping
* 35	SST-5309	Recess Bumper
36	CAC-1277	Spacer
37	SSF-8146	Speed Nut

\* KK-4949 Isolator Kit includes items 3, 4, 6, 13, 16, 34, 35, 27