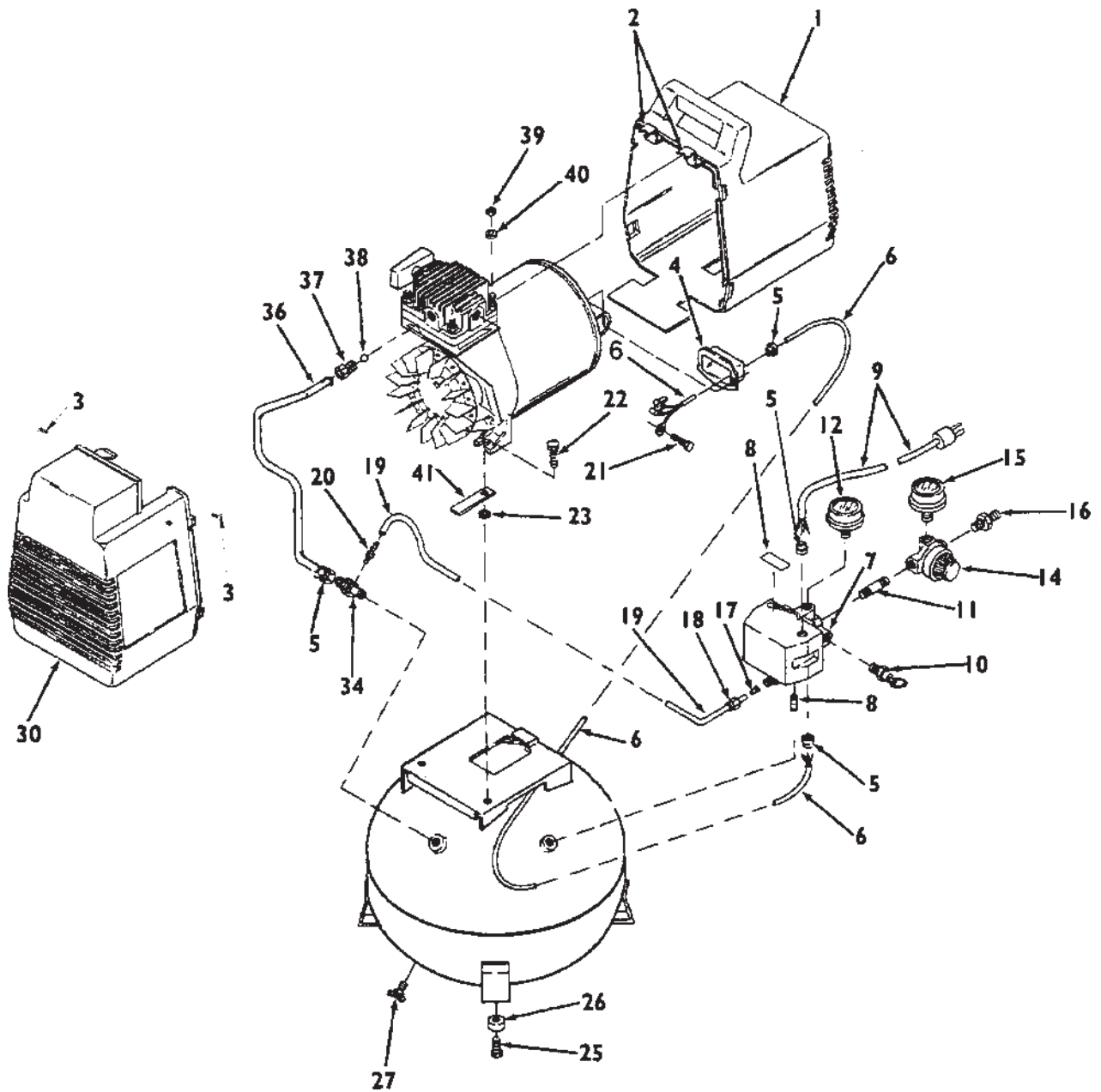


150E4D-1 C150E4D-1



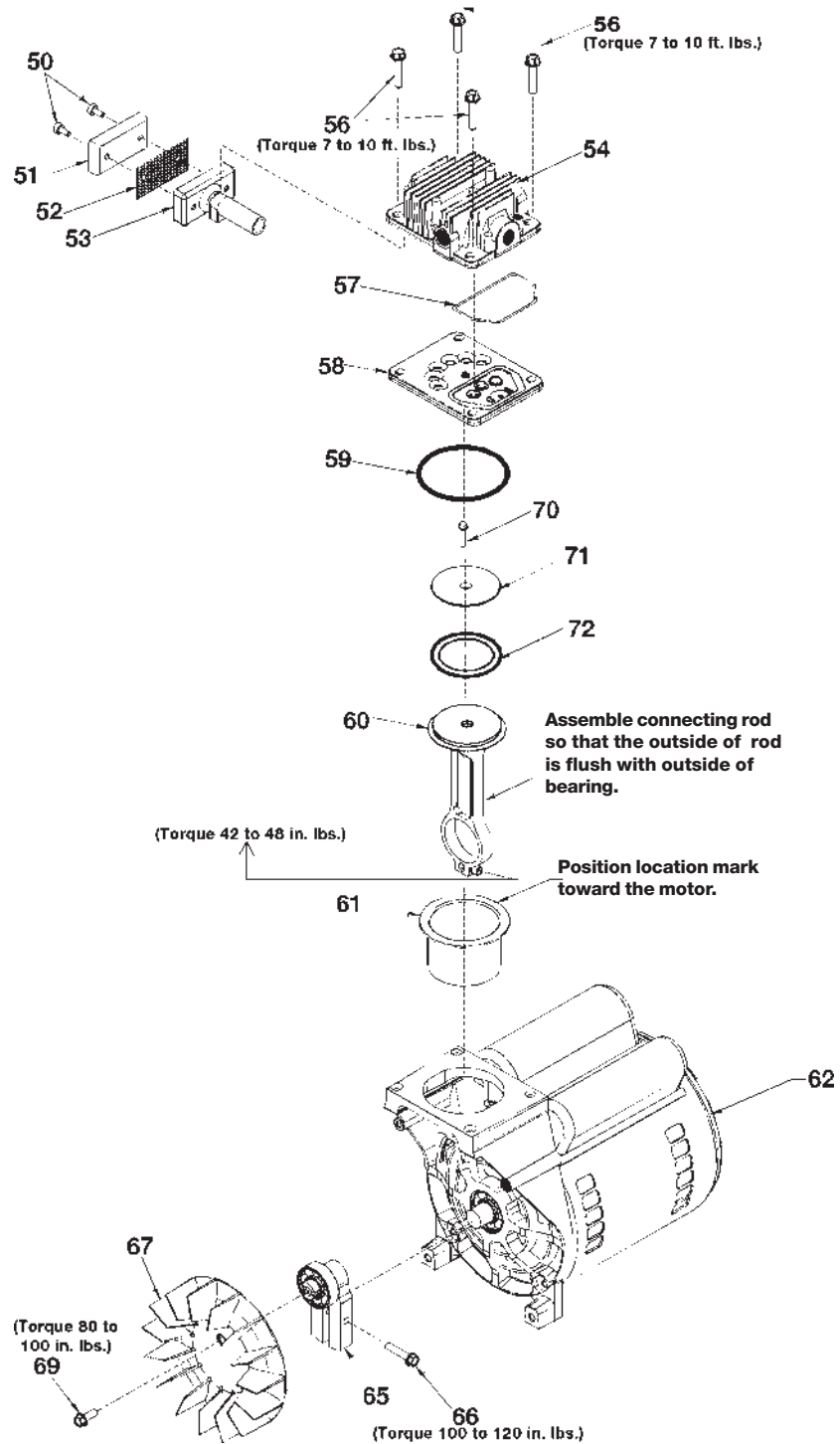
150E4D-1

C150E4D-1 (cont'd)

<u>KEY NO.</u>	<u>PART NUMBER</u>	<u>DESCRIPTION</u>
1	DAC-488-1	Rear shroud assembly(includes two #2)
2	CAC-1121	Bracket (2used)
4	CAC-1423	Terminal box
5	SSW-7367	Strain relief (3 used)
6	CAC-4205	Cord assembly-motor
7	CAC-4332-1	Pressure switch/manifold
8	SSP-480	Nipple
9	SUDL-403-1	Cord assembly-line
10	TIA-4150	Safety Valve
11	SS-1286	Nipple
12	C-GA-346	Tank pressure gauge, 1 1/4" NPT thread
14	CAC-4296-1	Regulator
15	C-GA-345	Regulated pressure gauge, 1 1/8" NPT thread
16	H-2099	Adapter
17	SSP-9013	Tube Insert
18	SSP-7811	Nut sleeve assembly(1/4")
19	CAC-1085	Pressure relief tube
20	SSP-6088	Barbed fitting
21	SUDL-9-1	Ground screw
22	SSF-928	Screw (2 used)
23	SSW-7462	Spacer
25	91895680	Screw (4 used)
26	SST-5314-1	Rubber foot(4used)
27	SS-2707	Drain valve
30	DAC-246-1	Front shroud
34	CAC-4290-3	Check valve
35	SSP-7813	Nut sleeve assembly (for 3/8" O.D. tube)
36	AC-0128	Outlet tube
37	SSP-7821-1	Nut
38	SSG-3105	O-Ring
39	SS-655-ZN	Locknut (2used)
40	SSN-60-ZN	Washer (2used)
41	CAC-1178	Hold-down strip (2 used)

150E4D-1

C150E4D-1 (cont'd)



150E4D-1

C150E4D-1 (cont'd)

KEY NO.	<u>PART NUMBER</u>	<u>DESCRIPTION</u>
+ 50	---	Air filter fastener (2 used)
51	DAC-143	Air filter
+ 52	---	Muffler screen
+ 53	---	Intake muffler
54	AC-0037	Head
56	SSF-927	Screw 1/4-20 x 1 1/4" (4 used)
* ✓ 57	ACG-45	O-Ring
58	AC-0032	Valve plate assembly (includes valves, restrictors & screws)
* ✓ 59	SSG-8156	O-ring
* 60	---	Connecting rod assembly
* ✓ 61	---	Cylinder sleeve (position locating mark toward motor)
62	MO-3025-2	Motor
65	AC-0140	Eccentric Flywheel Bearing Assy.
66	SSF-615	Screw (1/4-20 unc-2A)
67	AC-0108	Fan
69	SSF-586	Screw (1/4-20 unc x .75)
* ✓ 70	SSF-3158-1	Screw 10-24 X .75 T25 Torx
* 71	---	Connecting Rod Cap
* ✓ 72	---	Compression Ring

NOT ILLUSTRATED

MG2-OFTANK-4A	Owners Manual
MP2-150E4D-1	Parts Manual

- + Keys 50, 52 and 53 can only be purchased as part of KK-4977 (also includes Key #51).
- * Keys 57, 59, 60, 61, 70, 71, and 72 are purchased as part of KK-4835 piston/cylinder kit.
- ✓ Keys 57, 59, 61, 70 and 72 can be purchased as part of K-0058 cylinder sleeve/compression ring kit.