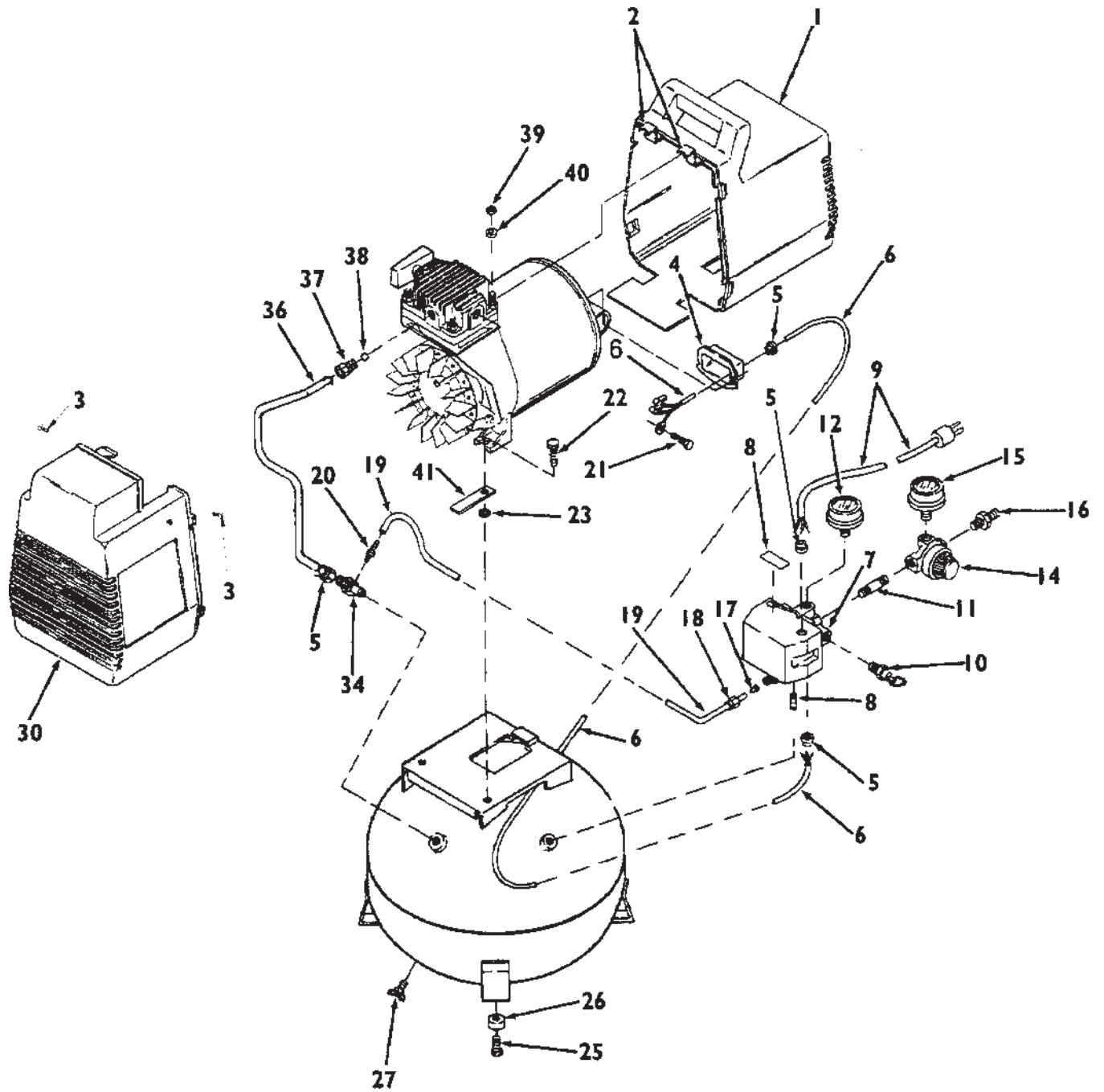


150E4D C150E4D

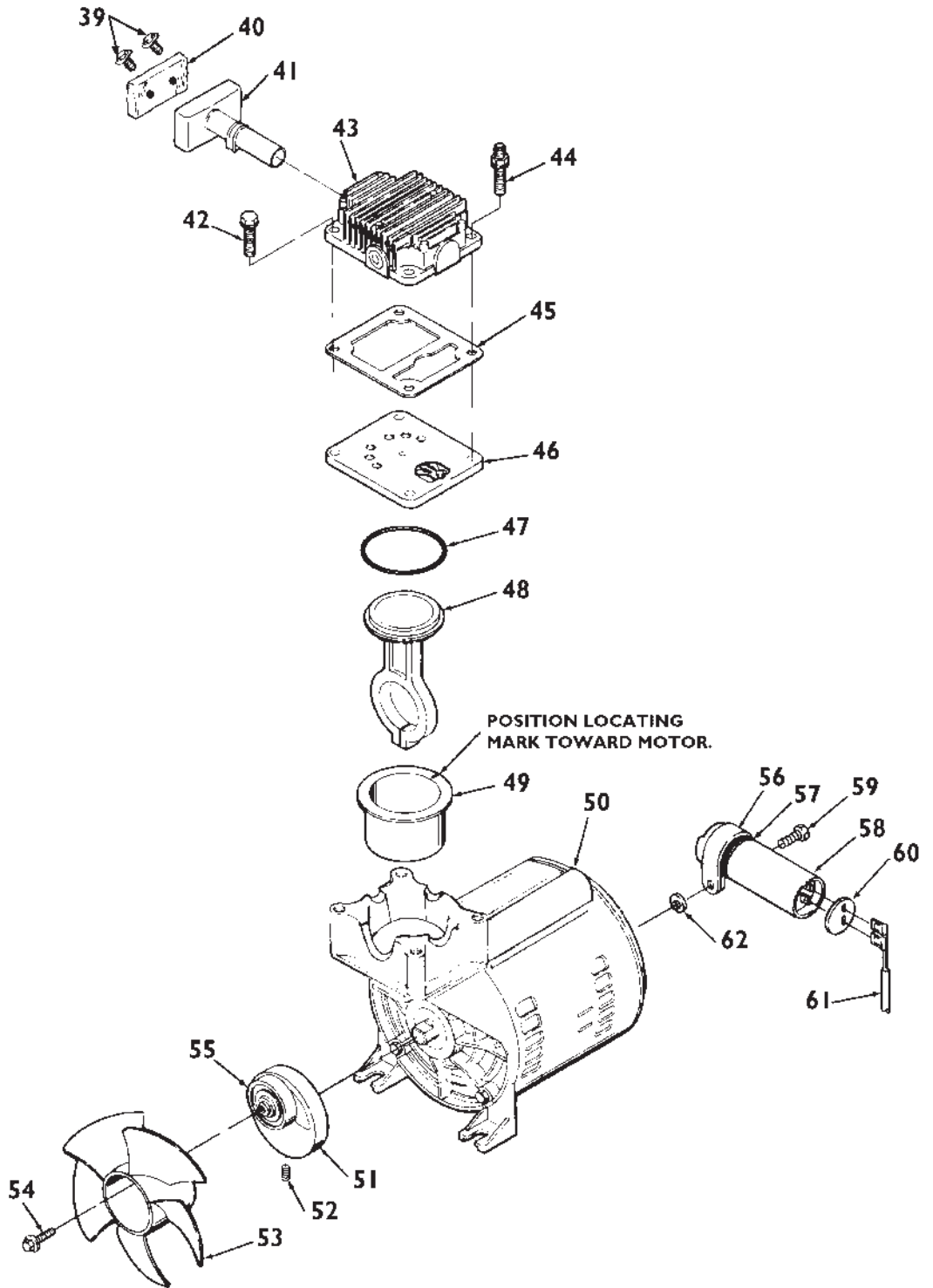


150E4D

C150E4D (cont'd)

KEY NO.	PART NUMBER	DESCRIPTION
1	DAC-488-1	Rear shroud assembly(includes two #2)
2	CAC-1121	Bracket (2used)
4	CAC-1423	Terminal box
5	SSW-7367	Strain relief (3 used)
6	CAC-4205	Cord assembly-motor
7	CAC-4332-2	Pressure switch/manifold
8	SS-1286	Nipple
9	SUDL-403-1	Cord assembly-line
10	TIA-4150	Safety Valve
11	SSP-480	Nipple
12	GA-370	Tank pressure gauge, 1 1/4" NPT thread
14	CAC-4296-1	Regulator
15	GA-369	Regulated pressure gauge, 1 1/8" NPT thread
16	H-2099	Adapter
17	SSP-9013	Tube Insert
18	SSP-7811	Nut sleeve assembly(1/4")
19	CAC-1085	Pressure relief tube
20	SSP-6088	Barbed fitting
21	SUDL-9-1	Ground screw
22	SSF-928	Screw (2 used)
23	SSW-7462	Spacer
25	SSF-925	Screw (4 used)
26	SST-5314-1	Rubber foot(4used)
27	SS-2707	Drain valve
30	DAC-246-1	Front shroud
34	CAC-4290-3	Check valve
35	SSP-7813	Nut sleeve assembly (for 3/8" O.D. tube)
36	CAC-1168	Outlet tube
37	SSP-7821-1	Nut
38	CAC-1120	Silicone Sleeve
39	SS-655-ZN	Locknut (2used)
40	SSN-60-ZN	Washer (2used)
41	CAC-1178	Hold-down strip (2 used)

150E4D C150E4D (cont'd)



150E4D

C150E4D (cont'd)

KEY		
<u>NO.</u>	<u>PART NUMBER</u>	<u>DESCRIPTION</u>
● 42	---	Fastner, intake filter (2 USED)
● 43	DAC-143	Air Filter
● 44	---	Intake Muffler
	45 SSF-990	Screw 1/4"-20 X 1 1/4" (2 used)
	46 ACG-26	Head
	47 SSF-6640	Stud 1/4"-20 X 1 1/4" (2 used)
+ /	48 ACG-45	O-ring
	49 ACG-402	Valve Plate Assembly (includes valves, restrictors & screws)
+ /	50 SSG-8156	O-ring
+	51 ---	Connecting Rod Assembly
+ /	52 ---	Cylinder Sleeve (position locating mark toward motor)
	53 Z-MO-3025-2	Motor 1.5 HP
	54 CAC-4306-2	Eccentric/Flywheel & Bearing Assembly
	55 SSF-3153	Screw (eccentric/flywheel, torque 50-60 in. lbs.)
	56 CAC-1055-1	Fan
	57 SSF-3155	Screw #10-24 X 3/8"
	58 SS-6505-CD	Washer
●	66 -----	Compression Ring
●	67 -----	T25 Torx Screw
<u>NOT ILLUSTRATED</u>		
	MG2-OFTANK-4A	Owners Manual (150E4D & C150E4D)
	MP2-150E4D	Parts Manual

- Keys 42 & 44 can only be purchased as part of KK-4977 Service Kit (includes one #43).
- + Keys 51 & 52 may be purchased as part of KK-4835 Connecting Rod Kit.
- / Keys 52, 66, and 67 can only be purchased as part of K-0058 cylinder kit.