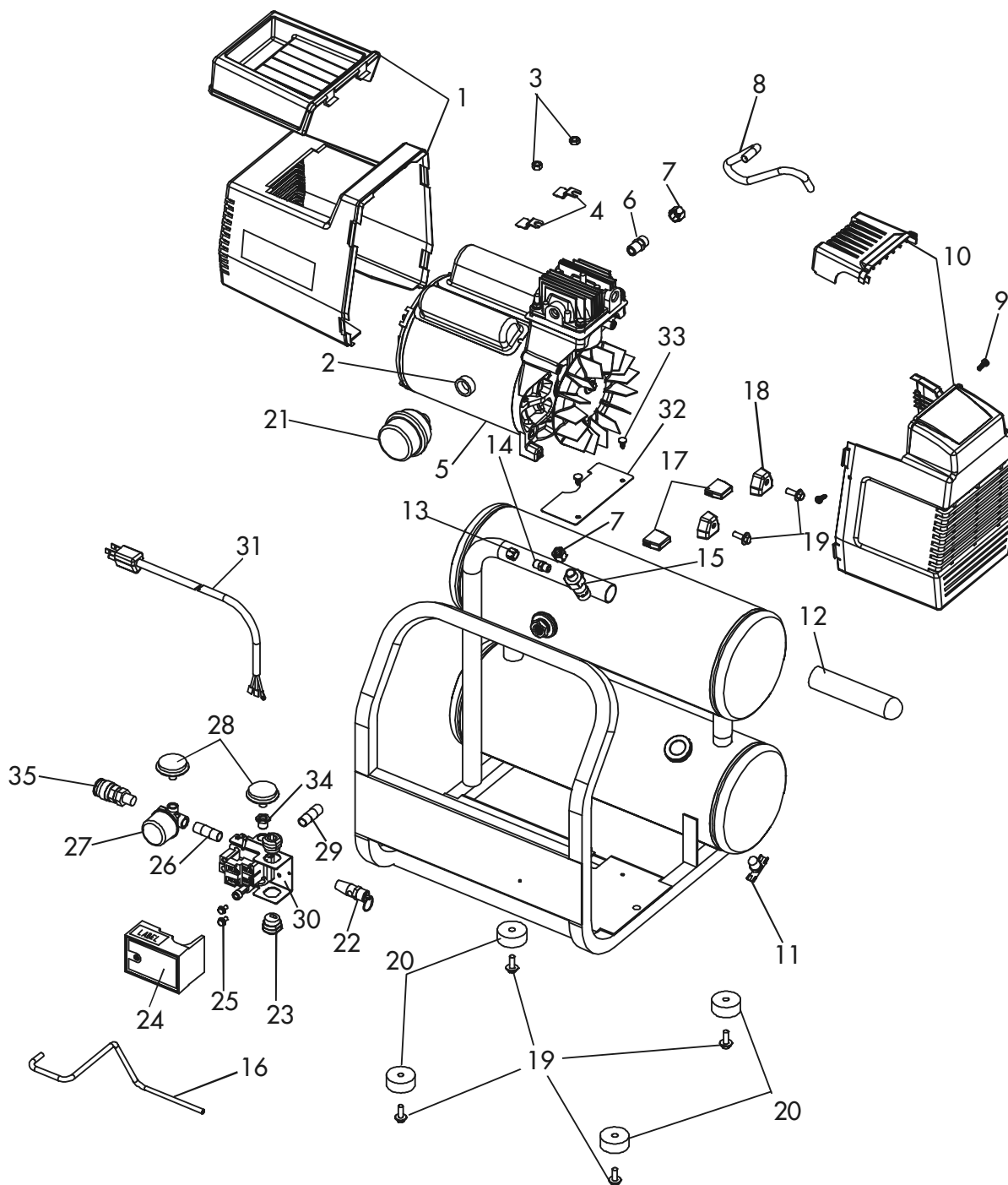


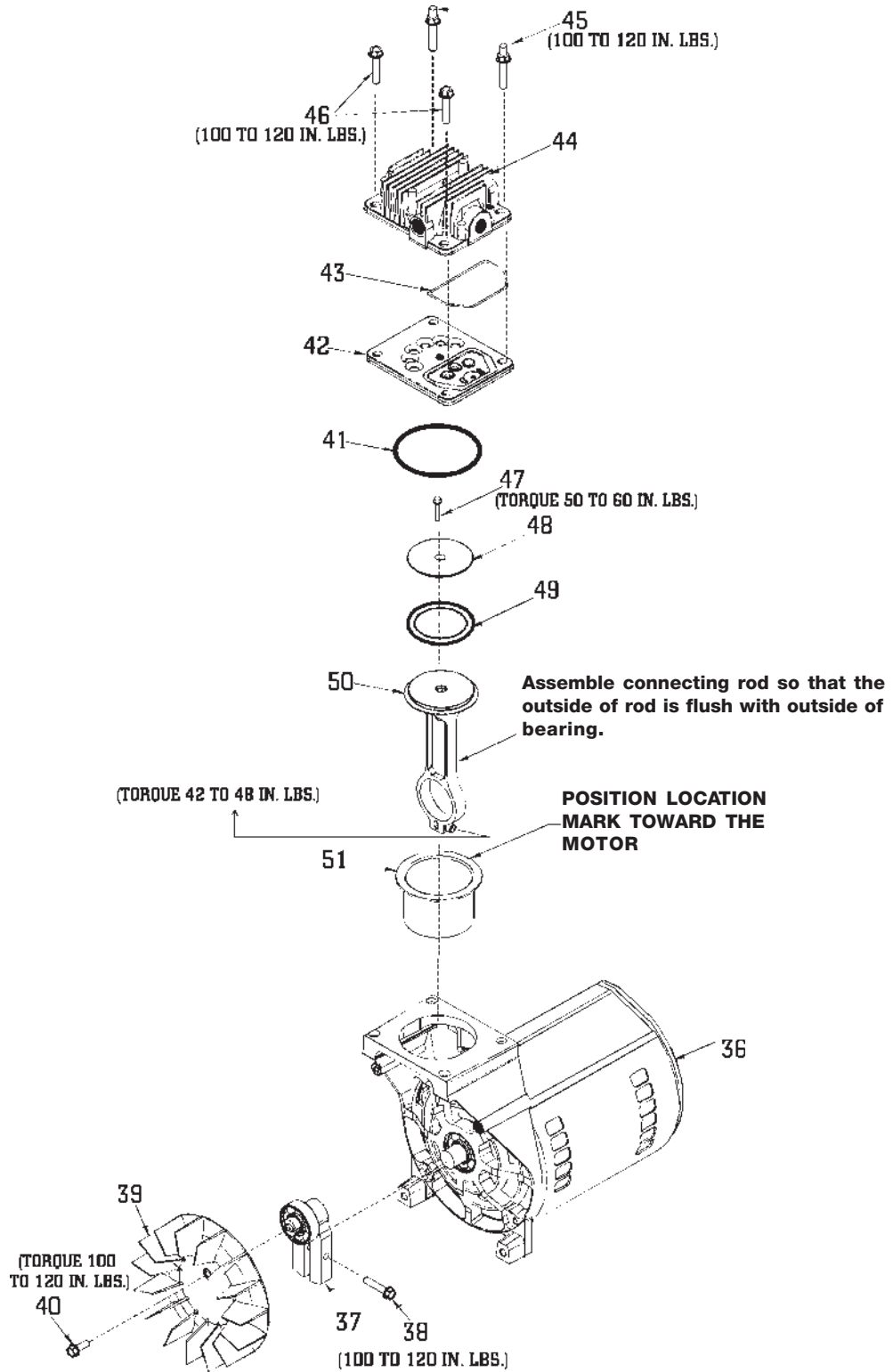
150E4STD



150E4STD (cont'd)

KEY		
<u>No.</u>	<u>PART NUMBER</u>	<u>DESCRIPTION</u>
1	AC-0283	Shroud Rear
2	AC-0286	Spacer
3	SS-655-ZN	Hexnut ¼ - 20 UNC (2 used)
4	CAC-1121	Bracket Shroud (2 used)
5	-----	Pump Assembly
6	SSP-6050	Connector Male ¼ NPT
7	SSP-7813	Nut Sleeve Assembly 3/8" (2 used)
8	AC-0241-1	Outlet Tube
9	SSF-3156	Screw (2 used)
10	AC-0077	Shroud Front
11	SS-2707	Drain Valve
12	AC-0261	Grip Handle
13	SSP-7811	Nut Sleeve Assembly ¼" (2 used)
14	SS-8553	Connector Body
15	CAC-4290-3	Check Valve
16	AC-0201-1	Tube, Pressure Release
17	ACG-19	Isolator (3 used)
18	ACG-18	Saddle Mount Cup (2 used)
19	91895680	Screw ¼ - 20 x .75 (6 used)
20	SST-5314-1	Rubber Bumper (4 used)
21	AC-0277	Intake Filter
22	TIA-4150	Safety Valve
23	SSW-7367	Strain Relief Bushing (2 used)
24	AC-0557	Pressure Switch Cover
25	SUDL-9-1	Screw 8-32 x .375/.344
26	SS-2071	Nipple ¼ x 1.5
27	DAC-180	Pressure Regulator
28	GA-352	Gauge (200 PSI) 1/8" (2 used)
29	SSP-513	Nipple ¼ x 1.5
30	AC-0197-2	Manifold Switch
31	SUDL-403-1	Power Cord Assembly
32	DAC-115-1	Plate
33	SSN-8001	Fastener Ratchet Nylon (2 used)
34	SSP-6021	Bushing Reducer
35	H-2099	Hose Adaptor ¼ x ¼

150E4STD (cont'd)



150E4STD (cont'd)

KEY

<u>No.</u>	<u>PART NUMBER</u>	<u>DESCRIPTION</u>
36	MO-9047-1	Motor
37	AC-0107	Eccentric Bearing Assembly
38	SSF-615	Screw 1/4 - 20 UNC-2A
39	AC-0108	Fan
40	SSF-586	Screw 1/4 - 20 UNC x .75
•✓41	SSG-8156	O-Ring
42	AC-0032	Valve Plate Assembly
•✓43	ACG-45	O-Ring
44	AC-0236	Head
45	SSF-589	Stud 1/4 - 20 x 1.125 (2 used)
46	SSF-927	Screw 1/4 - 20 x 1.125 (2 used)
•✓47	SSF-3158-1	Screw 10 - 24 x .75 T25 Torx
✓48	-----	Rod Cap
•✓49	-----	Compression Ring
✓50	-----	Connecting Rod Assembly
•✓51	-----	Cylinder Sleeve

NOT ILLUSTRATED

KK-4315	Pressure Relief Valve
MG2-OFTANK-4A	Owners Manual
MP2-150E4STD	Parts Manual

- K-0058 cylinder sleeve/compression ring kit.
- ✓ KK-4835 piston/cylinder kit.