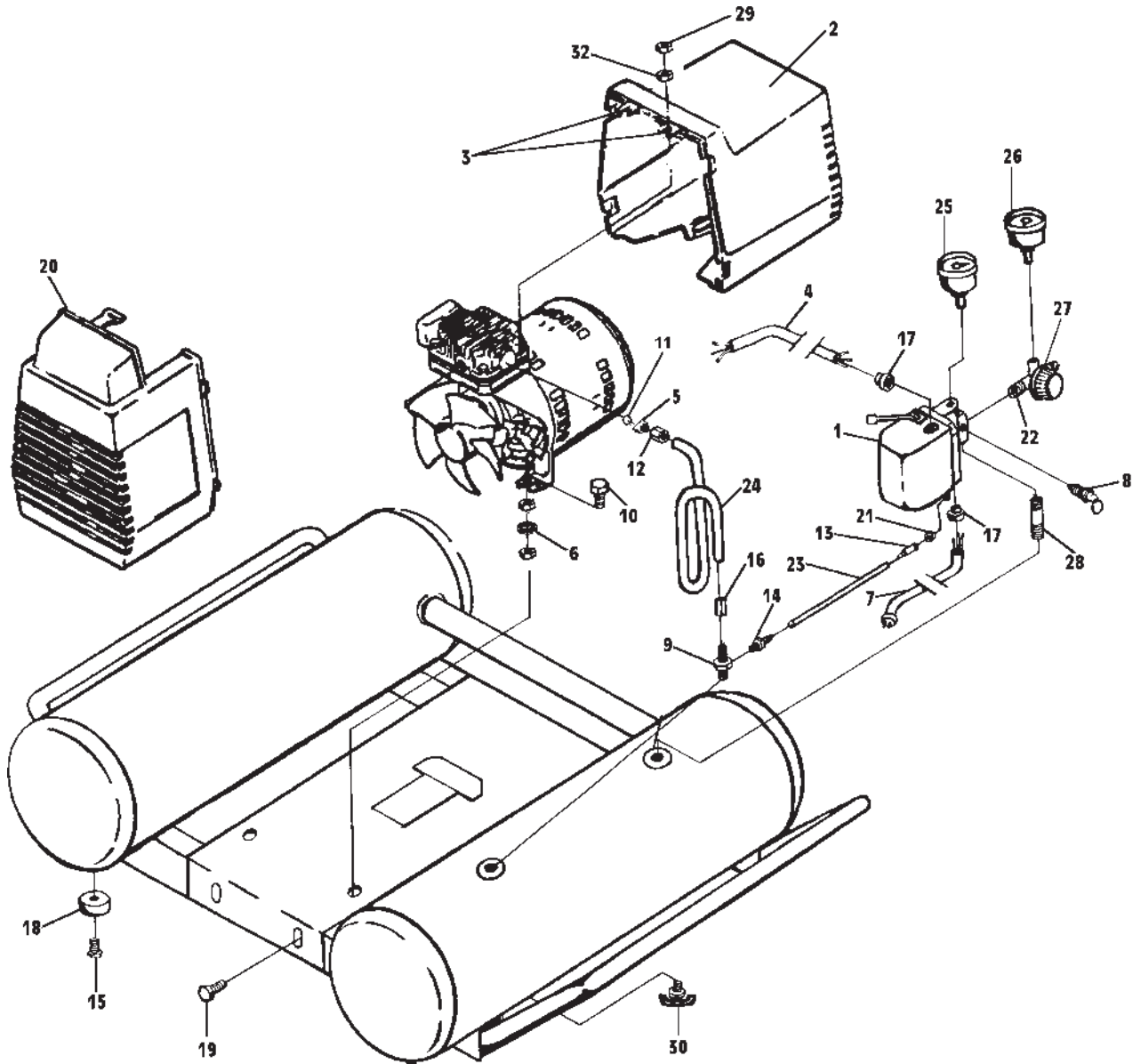


# 150E4TTD-1



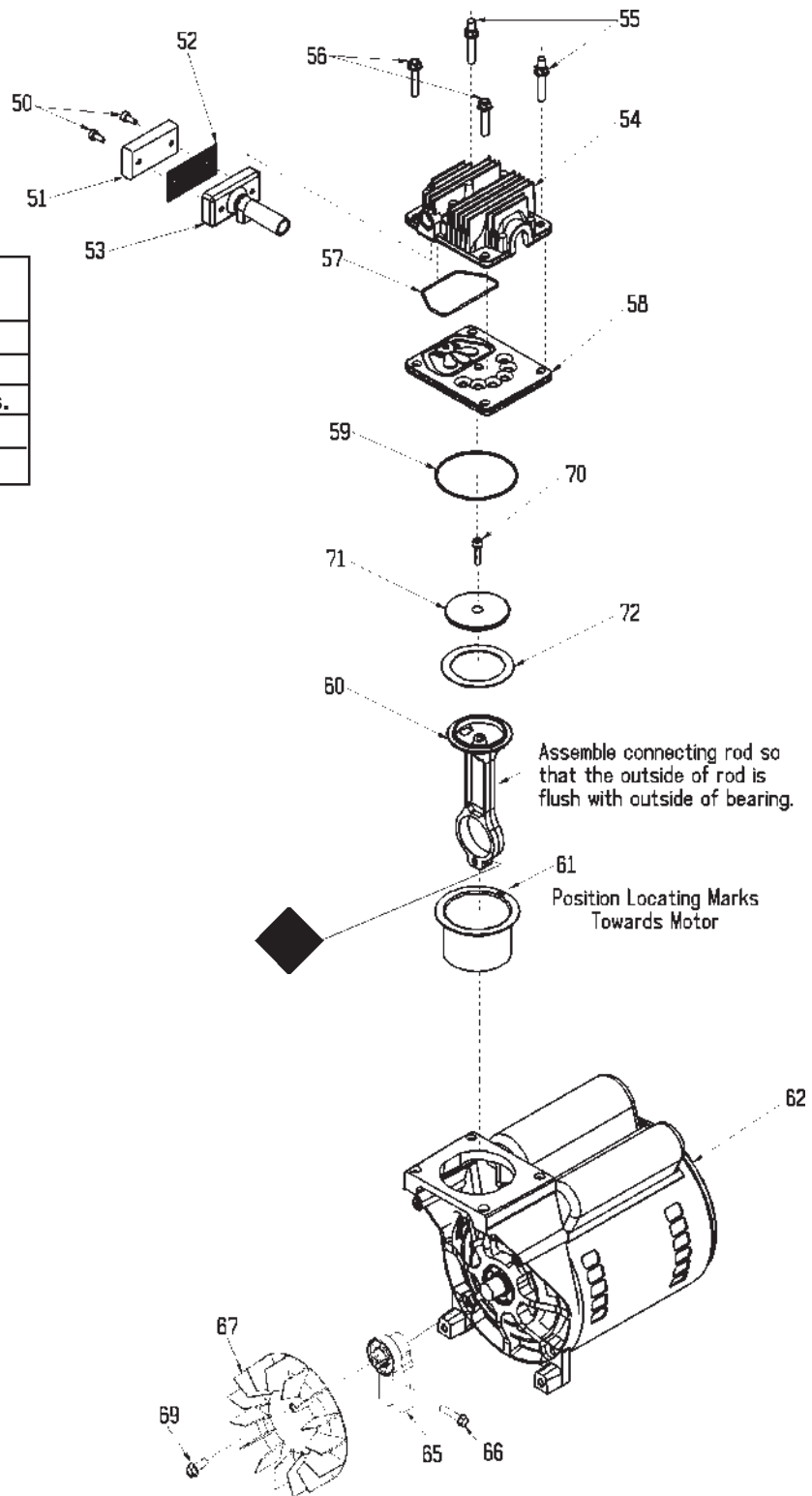
Key#	Torque Diagram
5	Torque 100-120 in. lbs.
10	Torque 90-105 in. lbs.
15	Torque Snug
16	Torque 100-120 in. lbs.
19	Torque 75-90 in. lbs.
29	Torque 50-60 in. lbs.

# 150E4TTD-1 (cont'd)

<b>KEY NO.</b>	<b>PART NUMBER</b>	<b>DESCRIPTION</b>
1	CAC-4332-2	Pressure Switch/Manifold
2	DAC-4078	Rear Shroud Assy. (Includes 2 each Key No. 3)
3	CAC-1121	Shroud Bracket (Included with Key No. 2)
4	CAC-4241-1	Motor Cord
5	SSP-6050	Male Connector
6	SSW-7462	Spacer (4 used)
7	SUDL-403-1	Power Cord
8	TIA-4150	Safety Valve
9	CAC-4290-3	Check Valve
10	SSF-928	Screw (2 used)
11	SSG-3105	Oil Ring
12	SSP-7821-1	Nut Sleeve Assy.
13	SSP-9013	Tubing Insert
14	SSP-6088	Barb Fitting
15	SSF-928	Screw (4 used)
16	SSP-7813	Nut Sleeve Assy.
17	SSW-7367	Strain Relief (2 used)
18	SST-5314-1	Rubber Bumper (4 used)
19	SSF-925	Screw (4 used)
20	DAC-233	Front Shroud
21	SSP-7811	Nut Sleeve Assy.
22	SS-1286	Nipple
23	DAC-245	Pressure Relief Tube
24	AC-0332	Outlet Tube
25	GA-370	Gauge
26	GA-369	Gauge
27	CAC-4296-1	Regulator
28	SS-2071	Nipple
29	SS-655-ZN	Nut (2 used)
30	SS-2707	Drain Valve (2 used)
32	SSN-60-ZN	Washer (2 used)

# 150E4TTD-1 (cont'd)

KEY NO.	TORQUE
55	7 to 10 Ft. Lbs.
56	7 to 10 Ft. Lbs.
66	100 to 120 In. Lbs.
69	80 to 100 In. Lbs.
◆	42 to 48 In. Lbs.



# 150E4TTD-1 (cont'd)

<b>KEY NO.</b>	<b>PART NUMBER</b>	<b>DESCRIPTION</b>
+ 50	---	Air filter fastener (2 used)
51	DAC-143	Air filter
+ 52	---	Muffler screen
+ 53	---	Intake muffler
54	AC-0039	Head
55	SSF-589	Stud 1/4"-20 x 1 1/4"
56	SSF-927	Screw 1/4-20 x 1 1/4"
*✓ 57	ACG-45	O-Ring
58	AC-0032	Valve plate assembly (includes valves, restrictors & screws)
*✓ 59	SSG-8156	O-ring
* 60	---	Connecting rod assembly
* ✓ 61	---	Cylinder sleeve (position locating mark toward motor)
62	M0-3025-2	Motor
65	AC-0140	Eccentric Flywheel Bearing Assy.
66	SSF-990	Screw 1/4-20 unc-2A
67	AC-0108	Fan
69	SSF-586	Screw 1/4-20 unc x .75
* ✓ 70	SSF-3158-1	Screw 10-24 X .75 T25 Torx
* 71	---	Compression Ring Connecting Rod Cap
* ✓ 72	---	Compression Ring

### **NOT ILLUSTRATED**

KK-4315	Pressure Relief Valve
MG2-OFTANK-4A	Owners Manual
MP2-150E4TTD-1	Parts Manual

- + Keys 50, 52 and 53 can only be purchased as part of KK-4977 (also includes Key #51).
- \* Keys 57, 59, 60, 61, 70, 71, and 72 are purchased as part of KK-4835 piston/cylinder kit.
- ✓ Keys 61, 70 and 72 can be purchased as part of K-0058 cylinder sleeve/compression ring kit.