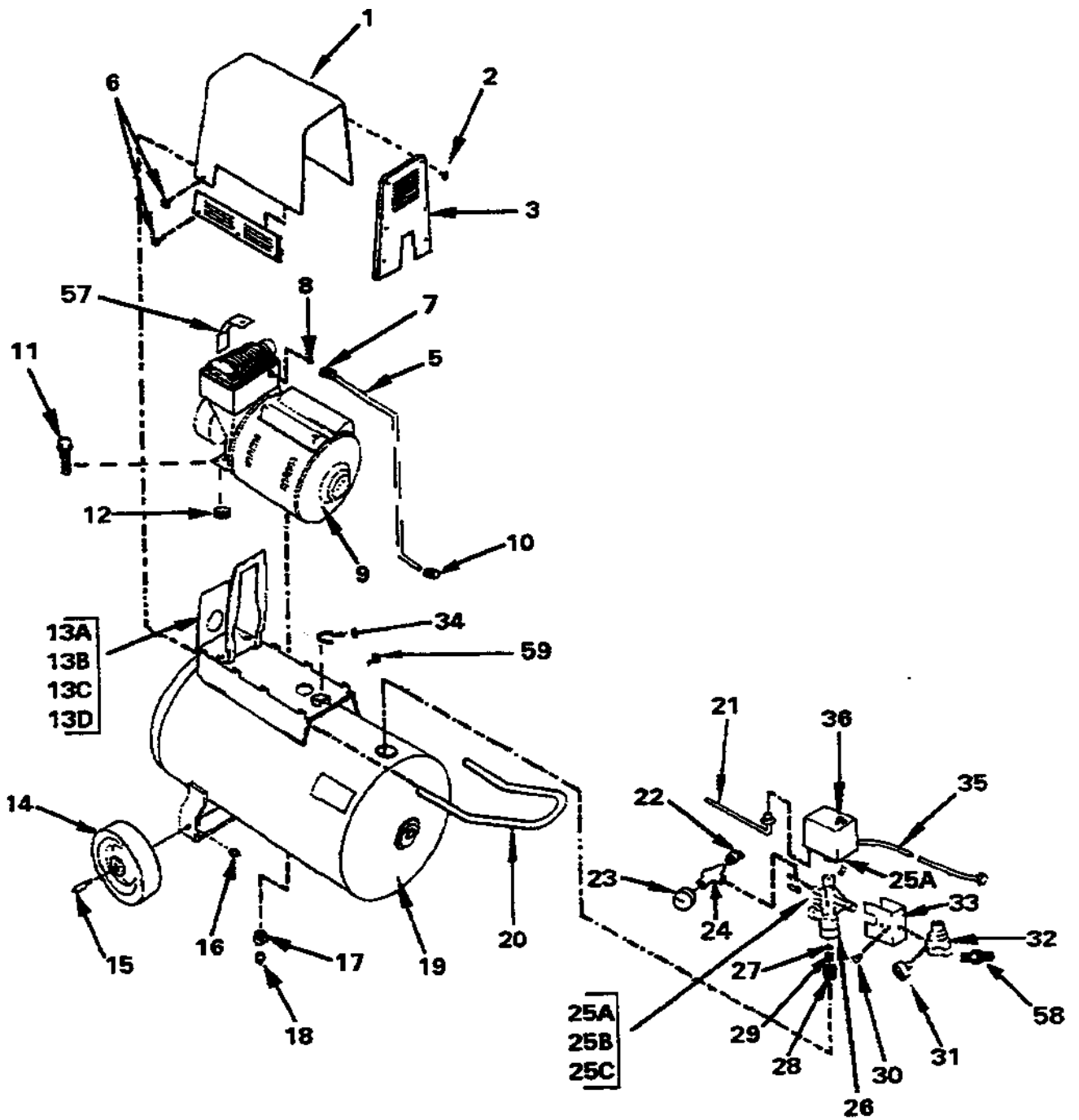


200E14AD

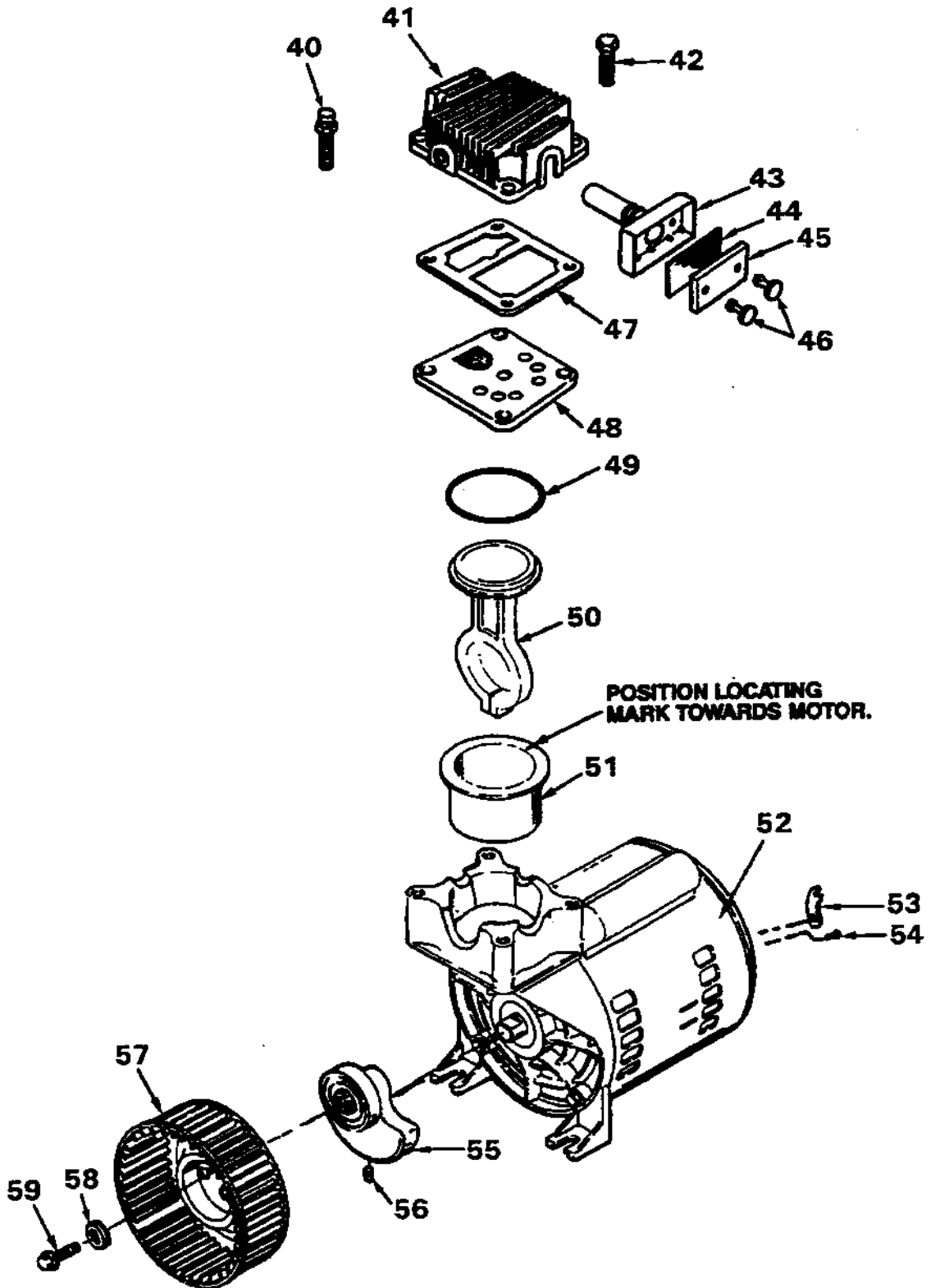


200E14AD (cont'd)

KEY NO.	PART NUMBER	DESCRIPTION
1	DAC-487	Shroud Assy. (includes #2, 3, 4)
2	91892588	Screw (12 used)
+ 3	---	Front Cover (included with #1)
+ 4	---	Side Cover (included with #1)
5	DAC-165	Outlet Tube
6	91895680	Screw (8 used) (torque 50-70 in/lb)
7	SSP-7821-1	Nut (torque 50-60 in/lb)
8	CAC-1120	Bracket
10	SSP-7813	Silicone Sleeve
11	SSF-505	Nut (torque 100-120 in/lb)
12	CAC-1098	Isolator
13	CAC-1395	Baffle
14	CAC-4293	Wheel (2 used)
15	CAC-60	Shoulder Bolt
16	SSF-8080-ZN	Hex Nut (2 used)
17	SSP-1138	Bushing, Hex Reducer
18	SS-2707	Drain Valve
19	----	----
20	DAC-177	Handle
21	CAC-4205	Cord Assy. (motor to switch)
22	97503734	Safety Valve 150 PSIG
23	C-GA-345	Gauge
24	97182133	Tee (1/8 x 1/8 x 1/4)
25A	SSP-9013	Pressure Relief Tube
25B	----	----
25C	SSP-7811	Nut Sleeve Assy. (1/4")
26	DAC-172	Manifold
>27	----	----
>28	----	----
>29	----	----
30	91890632	Screw (4 used)
31	C-GA-345	Gauge
32	DAC-180	Pressure Regulator
33	97511471	Manifold Cover
34	CAC-1099	U-Channel
35	SUDL-403-1	Cord Assy. (line)
36	DAC-181-1	Pressure Switch

- + Keys 3 and 4 can only be purchased as part of Key #1, DAC-487 Shroud Assy.
- > Keys 27, 28 and 29 can only be purchased as part of 97261176 Check Valve Kit.

200E14AD (cont'd)



200E14AD (cont'd)

KEY	NO.	PART NUMBER	DESCRIPTION
	40	SSF-6640	Stud (torque 7-10 ft/lbs)
	41	KK-5040	Head
	42	SSF-990	Screw (3 used) (torque 7-10 ft/lbs)
X	43	-----	Intake Muffler
X	44	-----	Intake Screen
X	45	DAC-143	Intake Filter
X	46	-----	Filter Fastener
	47	CAC-1175	Gasket
	48	KK-5040	Valve Plate Assembly
*	49	SSG-8156	O-Ring
*	50	-----	Connecting Rod Assembly
*	51	-----	Cylinder Sleeve
	52	M0-3018-4	Motor
	53	SSW-5394	Terminal Box Cover
	54	SUDL-9-1	Grounding Screw
	55	Z-CAC-4086	Eccentric/Bearing Assembly
	56	SSF-3101	Set Screw
✓	57	-----	Squirrel Cage Fan
✓	58	-----	Washer
✓	59	-----	Screw

NOT ILLUSTRATED

SSH-8	Air Chuck
H-5796	Air Hose Assy. (1/4" ID x 15')
KK-5019	Pressure Relief Valve Kit
H-7040-1	Air Hose Assy. (5/16" ID x 25')
MG2-OFTANK-4A	Owners Manual
MP2-200E14D-1	Parts Manual

X Keys 43, 44, 45 and 46 can only be purchased as part of KK-4981 Intake Filter Kit (includes one #45).

* Keys 49, 50 and 51 can only be purchased as part of KK-4835 Connecting Rod Kit.

✓ Keys 57, 58 and 59 can only be purchased as part of KK-5018