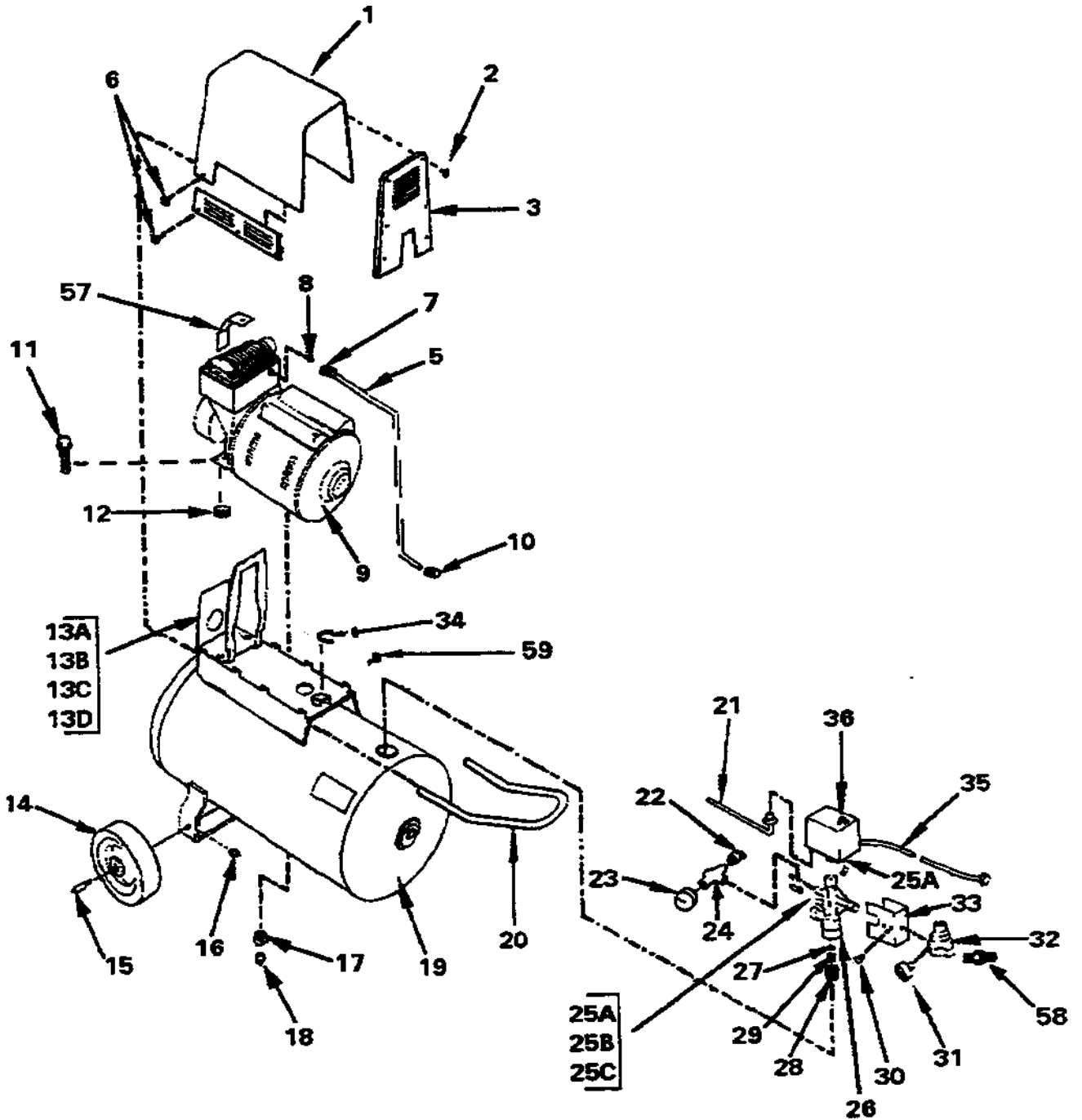


250E20AD

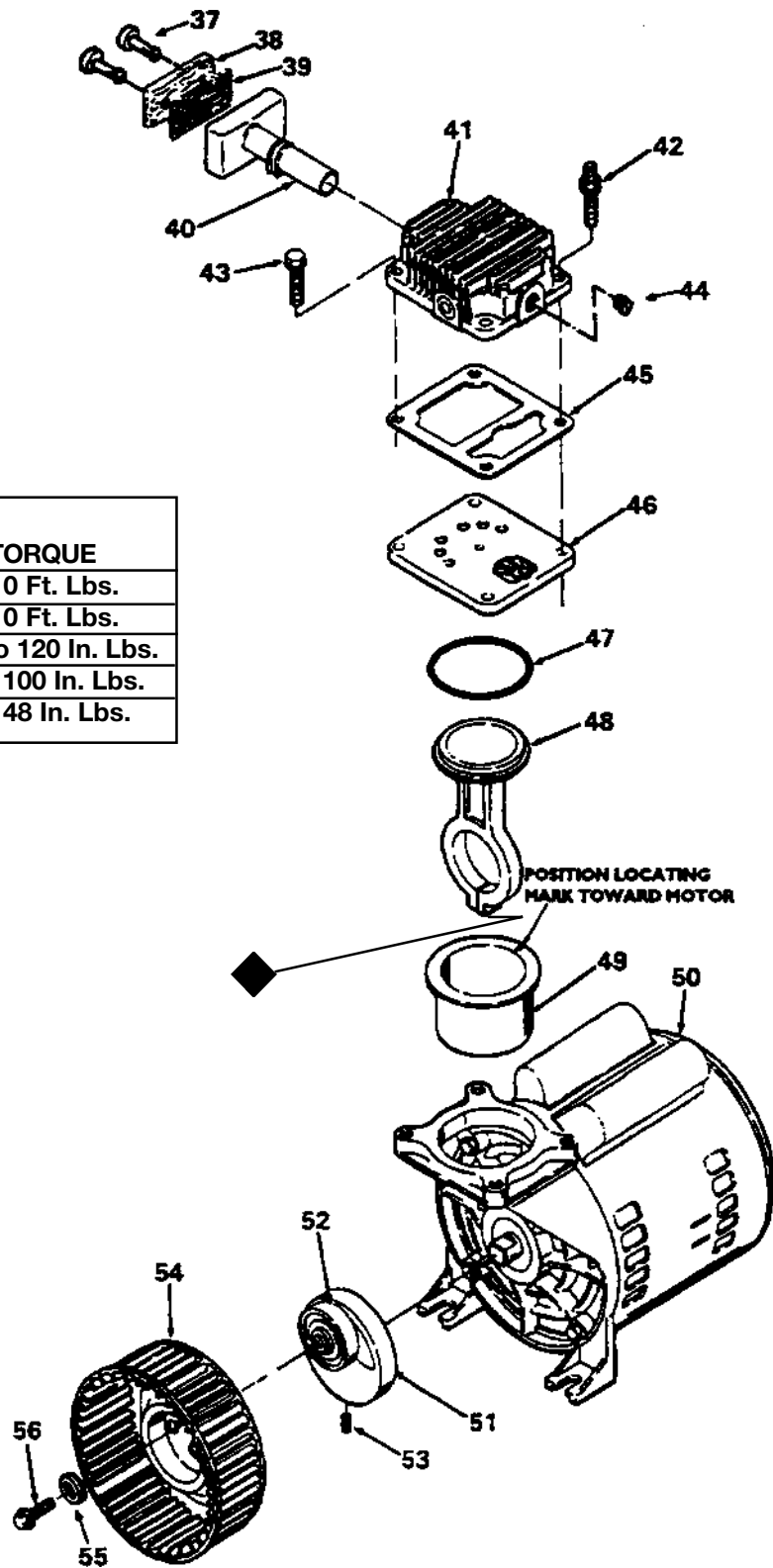


250E20AD (cont'd)

KEY NO.	PART NUMBER	DESCRIPTION
1	DAC-487	Shroud Assy. (includes #2, 3, 4)
2	91892588	Screw (12 used)
+ 3	---	Front Cover (included with #1)
+ 4	---	Side Cover (included with #1)
5	DAC-165	Outlet Tube
6	91895680	Screw (8 used) (torque 50-70 in/lb)
7	SSP-7821-1	Nut (torque 50-60 in/lb)
8	CAC-1120	Bracket
9	C-MO-3018-4	Motor 2 1/2 HP
10	SSP-7813	Silicone Sleeve
11	SSF-505	Nut (torque 100-120 in/lb)
12	CAC-1098	Isolator
13A	CAC-1395	Baffle
13B	DAC-183	Finger Guard
13C	SSF-953-ZN	Self Tapping Screw
13D	SS-6505-CD	Washer 1/4
14	CAC-4293	Wheel (2 used)
15	CAC-60	Shoulder Bolt
16	SSF-8080-ZN	Hex Nut (2 used)
17	SSP-1138	Reducer Bushing
18	SS-2707	Bushing, Hex Reducer
19	TA-4227	Drain Valve
20	DAC-177	Handle
21	CAC-4205	Cord Assy. (motor to switch)
22	97503734	Safety Valve 150 PSIG
23	C-GA-345	Gauge
24	97182133	Tee (1/8 x 1/8 x 1/4)
25A	DAC-175	Pressure Relief Tube
25B	SSP-9013	Tubing Insert
25C	SSP-7811	Nut Sleeve Assy. (1/4")
26	DAC-172	Manifold
>27	----	Check Valve Poppet
>28	----	Check Valve Body
>29	----	Check Valve Spring
30	9189632	Screw
31	C-GA-345	Gauge (4 used)
32	DAC-180	Pressure Regulator
33	97511471	Manifold Cover
34	CAC-1099	U-Channel
35	SUDL-403-1	Cord Assy. (line)
36	DAC-181	Pressure Switch

- + Keys 3 and 4 can only be purchased as part of Key #1, DAC-487 Shroud Assy.
- > Keys 27, 28 and 29 can only be purchased as part of 97261176 Check Valve Kit.

250E20AD (cont'd)



KEY NO.	TORQUE
42	7 to 10 Ft. Lbs.
43	7 to 10 Ft. Lbs.
53	100 to 120 In. Lbs.
56	80 to 100 In. Lbs.
◆	42 to 48 In. Lbs.

250E20AD (cont'd)

KEY	NO.	PART NUMBER	DESCRIPTION
X	37	-----	Intake Filter Fastener
	38	DAC-143	Intake Filter
X	39	-----	Filter Screen
X	40	-----	Intake Muffler
	41	KK-4987	Head
	42	SSF-6640	Stud
	43	SSF-990	Screw (3 used)
	44	DAC-140	Flow Valve
	45	CAC-1175	Gasket
	46	KK-5040	Valve Plate Assembly (includes valves, restrictors and screws)
*	47	SSG-8156	O-Ring
*	48	-----	Connecting Rod Assembly (torque screw 30-35 in. lbs.)
*	49	-----	Cylinder Sleeve (position locating mark toward motor)
	50	Z-M0-3018-4	Motor 21/2 HP
	51	Z-CAC-4086	Eccentric/Bearing Assembly (includes 1 ea. #52)
	52	-----	Bearing (can only be purchased as part of #51)
	53	SSF-3153	Screw (eccentric, torque 50-60 in. lbs.)
/	54	-----	Squirrel Cage Fan
/	55	-----	Washer
/	56	-----	Screw #10-24 x 3/8" Long (torque 30-35 in. lbs.)
	57	DAC-169-1	Baffle Bracket

NOT ILLUSTRATED

SSH-8	Air Chuck
H-5796	Air Hose Assy. (1/4" ID x 15')
MG2-OFTANK-4A	General Manual
MP2-250E20D-1	Parts Manual

X Keys 37, 39, and 40 can only be purchased as part of KK-4981 Intake Filter Kit (includes one #38).

* Keys 47, 48 and 49 can only be purchased as part of KK-4835 Connecting Rod Kit.

/ Keys 54, 55 and 56 can only be purchased as part of KK-5018 Fan Kit.