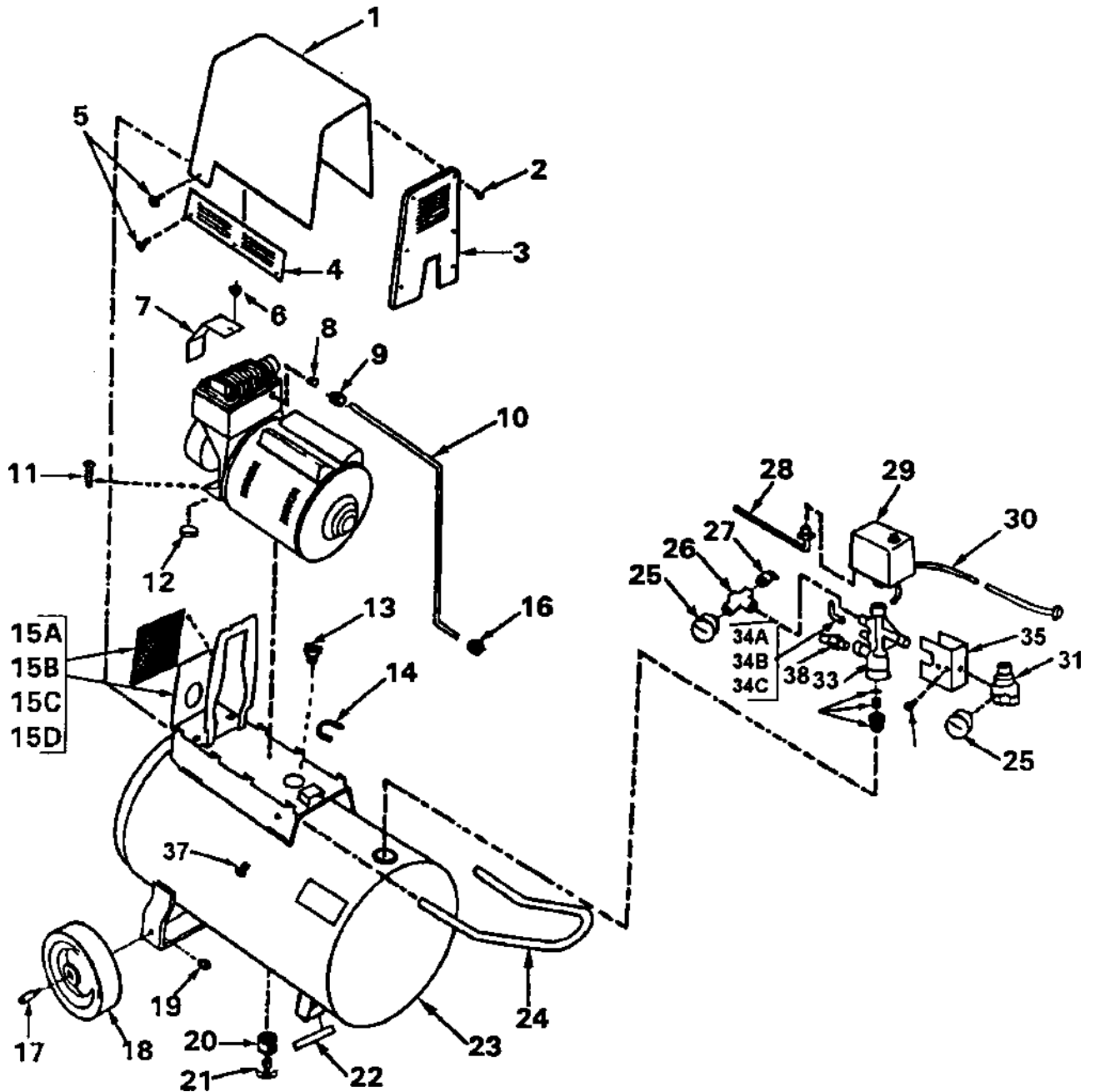


# 350E30AD 350E30AD-1



# 350E30AD

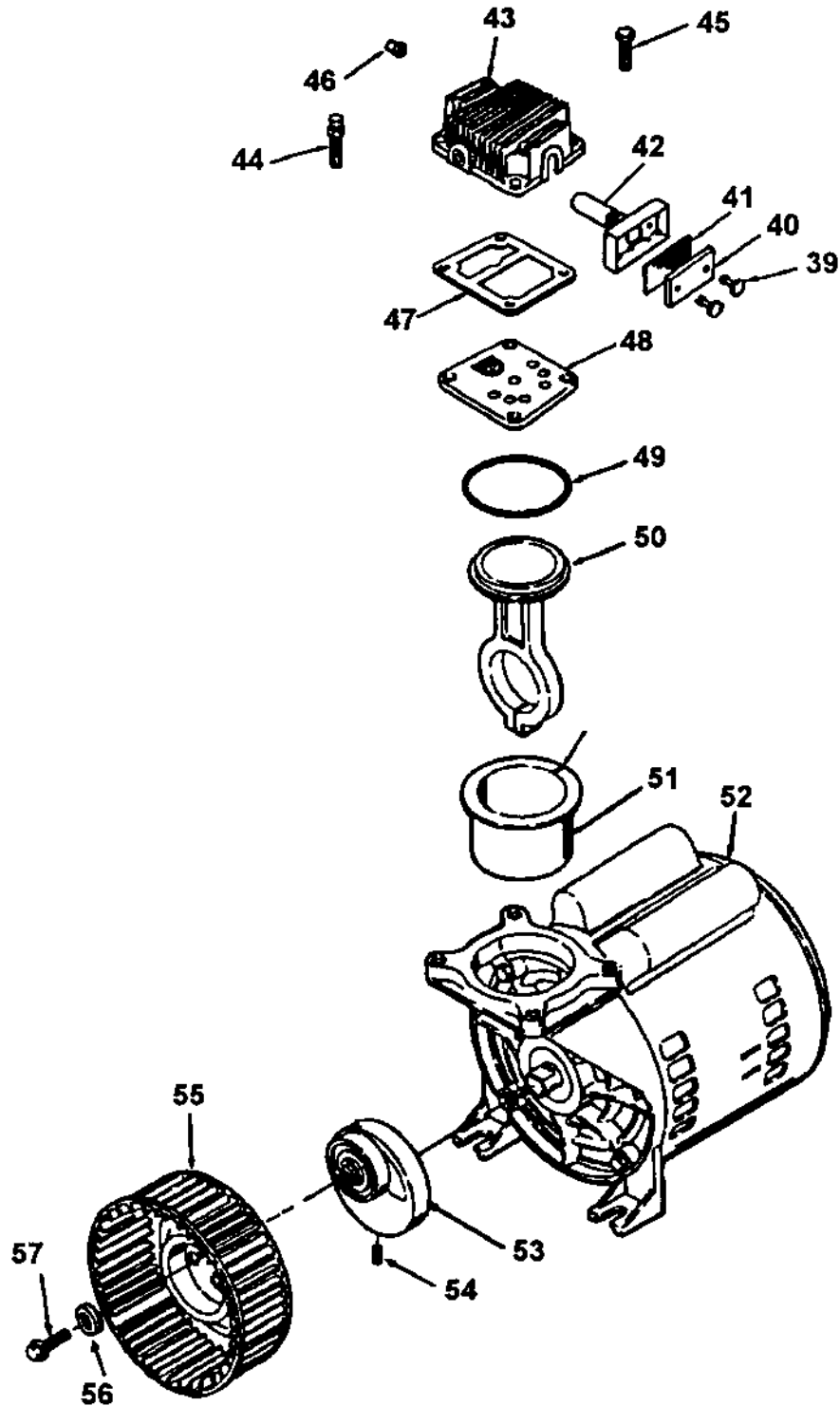
## 350E30AD-1 (cont'd)

KEY NO.	<u>PART NUMBER</u>	<u>DESCRIPTION</u>
1	DAC-487	Shroud Assy. (includes #2, 3, 4 and 5)
2	91892588	Screw (12 used)
+ 3	---	Front Cover (included with #1)
+ 4	---	Side Cover (included with #1)
5	91895680	Screw (8 used) (torque 50-70 in/lb)
6	SSP-655-ZN	Nut (torque 50-60 in/lb)
7	DAC-169-1	Bracket
8	CAC-1120	Silicone Sleeve
9	SSP-7821-1	Nut (torque 100-120 in/lb)
10	DAC-165	Outlet Tube
11	SSF-505	Shoulder Screw (2 used) (torque 95-120 in/lb)
12	CAC-1098	Isolator
13	91891242	Insulating Bushing
14	CAC-1099	U-Channel
15A	----	----
15B	DAC-183	Finger Guard
15C	SS-6505-CD	Washer 1/4
15D	----	----
16	SSP-7813	Nut Sleeve Assy.
17	CAC-60	Shoulder Bolt
18	CAC-4338	Wheel (2 used)
19	SSF-8080-ZN	Hex Nut (2 used)
20	SSP-1138	Reducer Bushing
21	SS-2707	Drain Valve
22	SUDL-6-1	Rubber Foot SDtrip
23	----	----
24	DAC-177	Handle
25	C-GA-345	Gauge (2 used)
26	97182133	Tee
27	97503734	Safety Valve
28	CAC-4215-1	Cord (motor to switch)
29	DAC-181-1	Pressure Switch
30	SUDL-413-2	Power Cord
31	DAC-180	Regulator
32	97261176	Check Valve Kit
33	DAC-172	Manifold
34A	CAC-1085	Pressure Relief Tube
34B	SSP-9013	Tube Insert
34C	SSP-7811	Nut Sleeve Assy.
35	97511471	Manifold Cover
36	91890632	Screw (4 used)
37	SSF-990	Handle Screw (2 used)
38	SSP-6050	Male Connector

+ Keys 3 and 4 can only be purchased as part of Key #1, DAC-487 Shroud Assy.

# 350E30AD

## 350E30AD-1 (cont'd)



# 350E30AD

## 350E30AD-1 (cont'd)

**KEY**

<u>NO.</u>	<u>PART NUMBER</u>	<u>DESCRIPTION</u>
X 39	---	Intake Filter Fastener
40	DAC-143	Intake Filter
X 41	---	Filter Screen
X 42	---	Intake Muffler
43	CAC-1122-U-1	Head
44	SSF-6640	Stud
45	SSF-990	Screw (3 used)
46	DAC-140	Flow Valve
47	CAC-1175	Gasket
48	CAC-4281-1	Valve Plate Assembly ( includes valves, restrictors and
* 49	SSG-8156	screws)
* 50	---	O-Ring
* 51	---	Connecting Rod Assembly (torque screw 30-35 in. lbs.)
		Cylinder Sleeve (position locating mark toward motor)
52	C-M0-3020-1	Motor 3 1/2 HP
53	CAC-4086	Eccentric/Bearing Assembly
54	SSF-3153	Screw (eccentric, torque 50-60 in. lbs.)
• 55	-----	Squirrel Cage Fan
• 56	-----	Washer
• 57	-----	Screw #10-24 x 3/8" Long (torque 30-35 in. lbs.)

**NOT ILLUSTRATED**

SSH-20	Air Chuck
H-7037	Air Hose Assy. (1/4" ID x 15')
MG2-OFTANK-4A	General Manual
MP2-350E30D	Parts Manual

- X Keys 39, 41 and 42 can only be purchased as part of KK-4981 Intake Filter Kit (includes one #40).
- \* Keys 49, 50 and 51 can only be purchased as part of KK-4835 Connecting Rod Kit.
- Keys 55, 56 and 57 can only be purchased as part of KK-5018 Fan Kit.