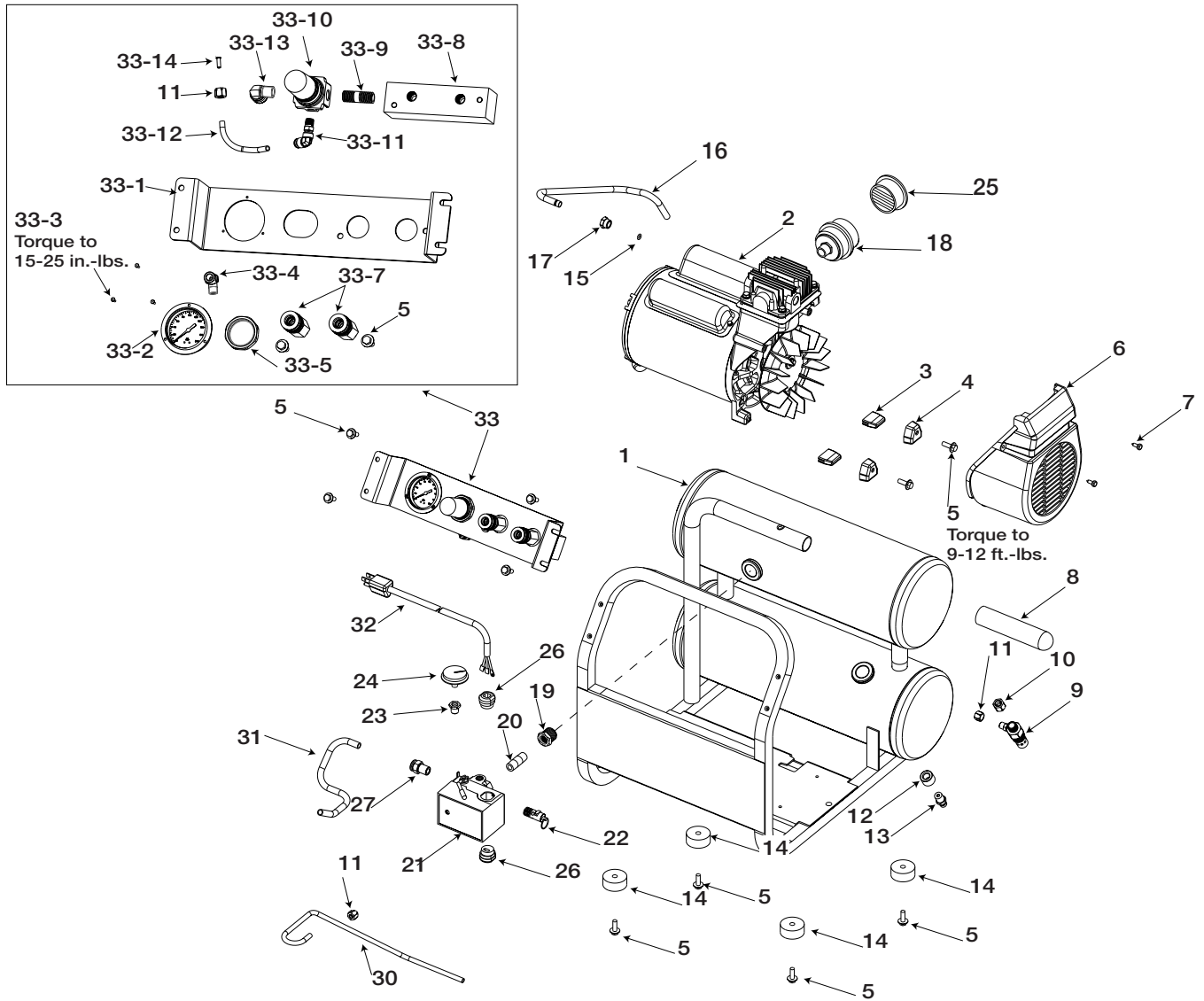


CPF23400S



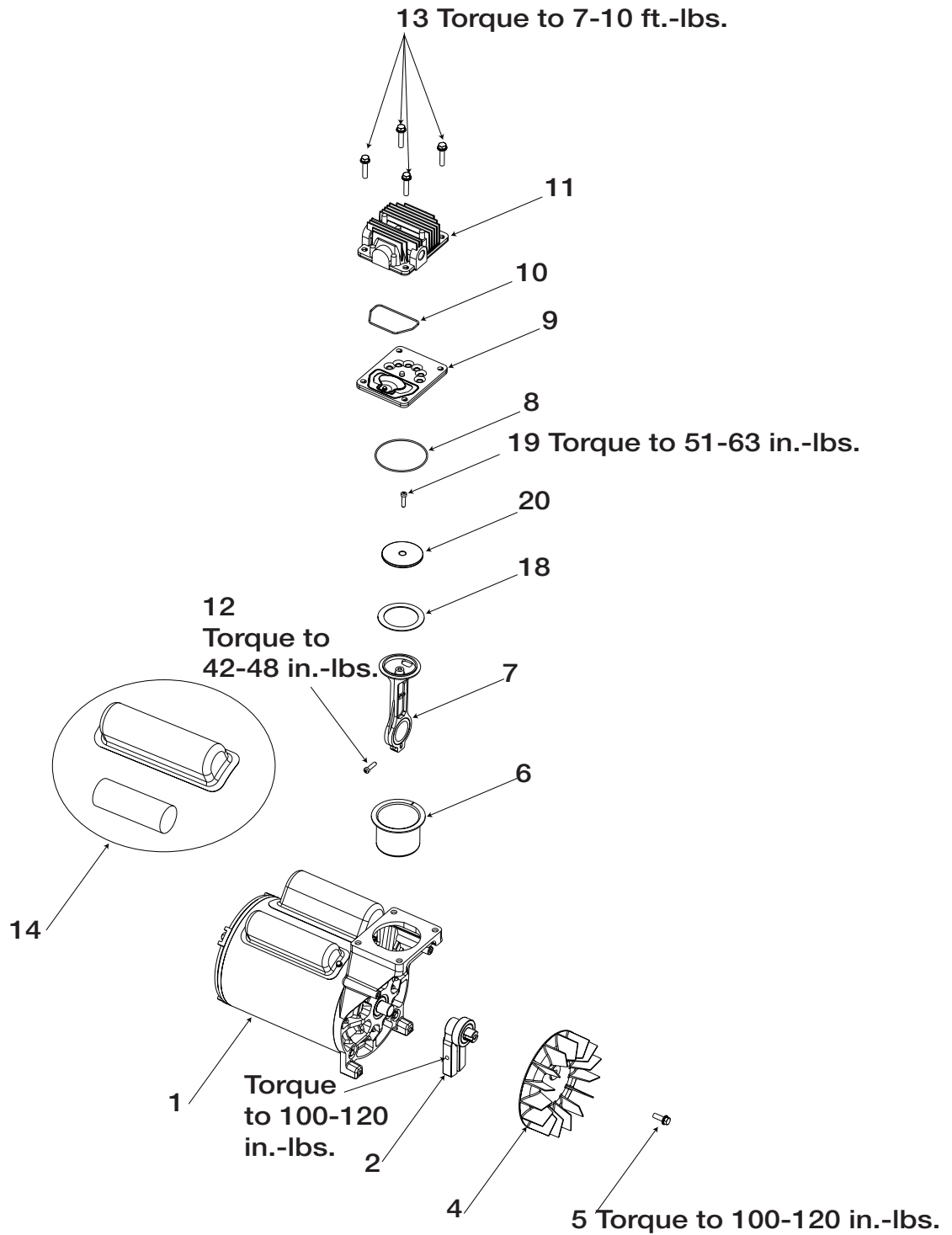
CPF23400S (cont'd)

| Key No. | Part Number | Description |
|----------------|--------------------|----------------------------|
| 1 | Z-D20695 | Air Receiver Assembly |
| 2 | See Page 2 | Pump Assembly |
| 3 | ACG-19 | Isolators |
| 4 | ACG-18 | Cup Saddle Mount |
| 5 | 91895680 | Screw 1/4 - 20 X .75 |
| 6 | D20653 | Mini Shroud |
| 7 | ACG-408 | Fastener Assembly |
| 8 | AC-0261 | Handle Grip |
| 9 | AC-0631 | Check Valve |
| 10 | SSP-7813 | Nut Sleeve Assembly 3/8" |
| 11 | SSP-7811 | Nut Sleeve Assembly 1/4" |
| 12 | SSP-512 | Bushing Facing 1/2 X 1/4 |
| 13 | AC-0430 | Drain Valve |
| 14 | SST-108 | Rubber Bumper |
| 15 | SSG-3105 | O-Ring |
| 16 | D20694 | Outlet Tube |
| 17 | SSP-7821-1 | Nut, Tubing 3/8"OD |
| 18 | AC-0253 | Solberg Filter 3/8 NPT |
| 19 | SSP-517 | Bushing Reducer |
| 20 | SSP-513 | Nipple, 1/4 NPT X 1.5 |
| 21 | Z-AC-0809 | Pressure Switch |
| 22 | TIA-4150 | Safety Valve |
| 23 | SSP-6021 | Bushing Reducer 1/8-1/4NPT |
| 24 | GA-366 | Gauge |
| 26 | SSW-7367 | Strain Relief Bushing |
| 27 | SSP-549 | Fitting, 1/4NPT Connect |
| 30 | D21105 | Pressure Release Tube |
| 31 | D20979 | Manifold Tube |
| 32 | AC-0539 | Power Cord Assembly |
| 33 | | See Individual Components |
| 33-1 | D20705 | Console |
| 33-2 | GA-372 | Gauge-1/8 NPT |
| 33-3 | SSF-642 | Screw, 4X.375 |
| 33-4 | D20944 | Fitting, 1/8NPT |
| 33-5 | D20155 | Ring, Regulator |
| 33-7 | D20675 | Quick Connect 1/4NPT |
| 33-8 | D20707 | Manifold |
| 33-9 | SS-2071 | Nipple 1/4-18 NPT X 1.5 |
| 33-10 | D20763 | Regulator |
| 33-11 | D20945 | Fitting, 1/8NPT |
| 33-12 | D20978 | Manifold Tube 1/4 OD |
| 33-13 | SSP-548 | Fitting, 1/4 NPT |

Not Illustrated

- LA-3108 Label, Hot Surface
- LA-3181 Label, English/Spanish Warning
- LA-3109 Label, Drain Tank Warning
- LA-3115 Label, Pressure Switch Warning

CPF23400S (cont'd)



CPF23400S (cont'd)

Key

| <u>No.</u> | <u>Part Number</u> | <u>Description</u> |
|------------|--------------------|---|
| 1 | Z-MO-9080 | Motor |
| 2 | Z-AC-0140 | Eccentric Bearing Assembly Includes eccentric, bearing, and screw |
| 3 | SSF-615 | Screw 1/4-20 UNC-2A THD |
| 4 | AC-0108 | Fan |
| 5 | SSF-586 | Screw 1/4 -20 UNC x .75 |
| ✓•6 | ----- | Cylinder Sleeve |
| ✓ 7 | ----- | Connecting Rod Assembly |
| ✓•8 | SSG-8156 | O-Ring |
| 9 | Z-AC-0032 | Valve Plate Assembly |
| ✓•10 | ACG-45 | O-Ring |
| 11 | AC-0252 | Head |
| 12 | SSF-3158-1 | Screw, 10-24 x .75 |
| 13 | SSF-927 | Screw 1/4-20 x 1.125 |
| 14 | K-0196 | Kit, Start Cap and Cover |
| ✓•18 | ----- | Compression Ring |
| ✓•19 | ----- | Screw |
| ✓ 20 | ----- | Compression Ring Cap |

Not Illustrated

| | |
|--------|----------------|
| D20692 | General Manual |
| D20693 | Parts Manual |

-
- ✓ KK-4835 Piston/Cylinder kit
 - K-0650 Cylinder Sleeve/Compression Ring kit