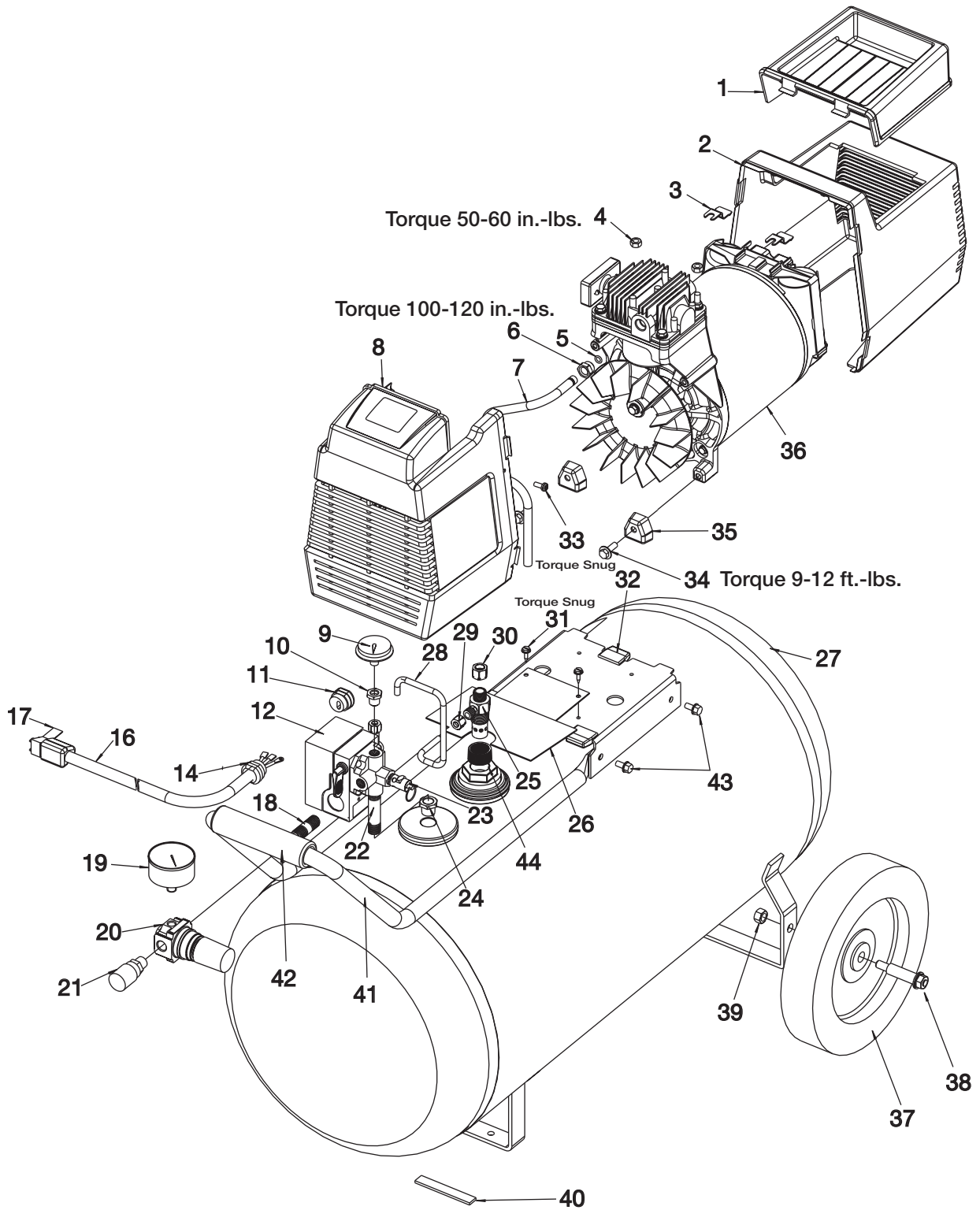


CPF4515



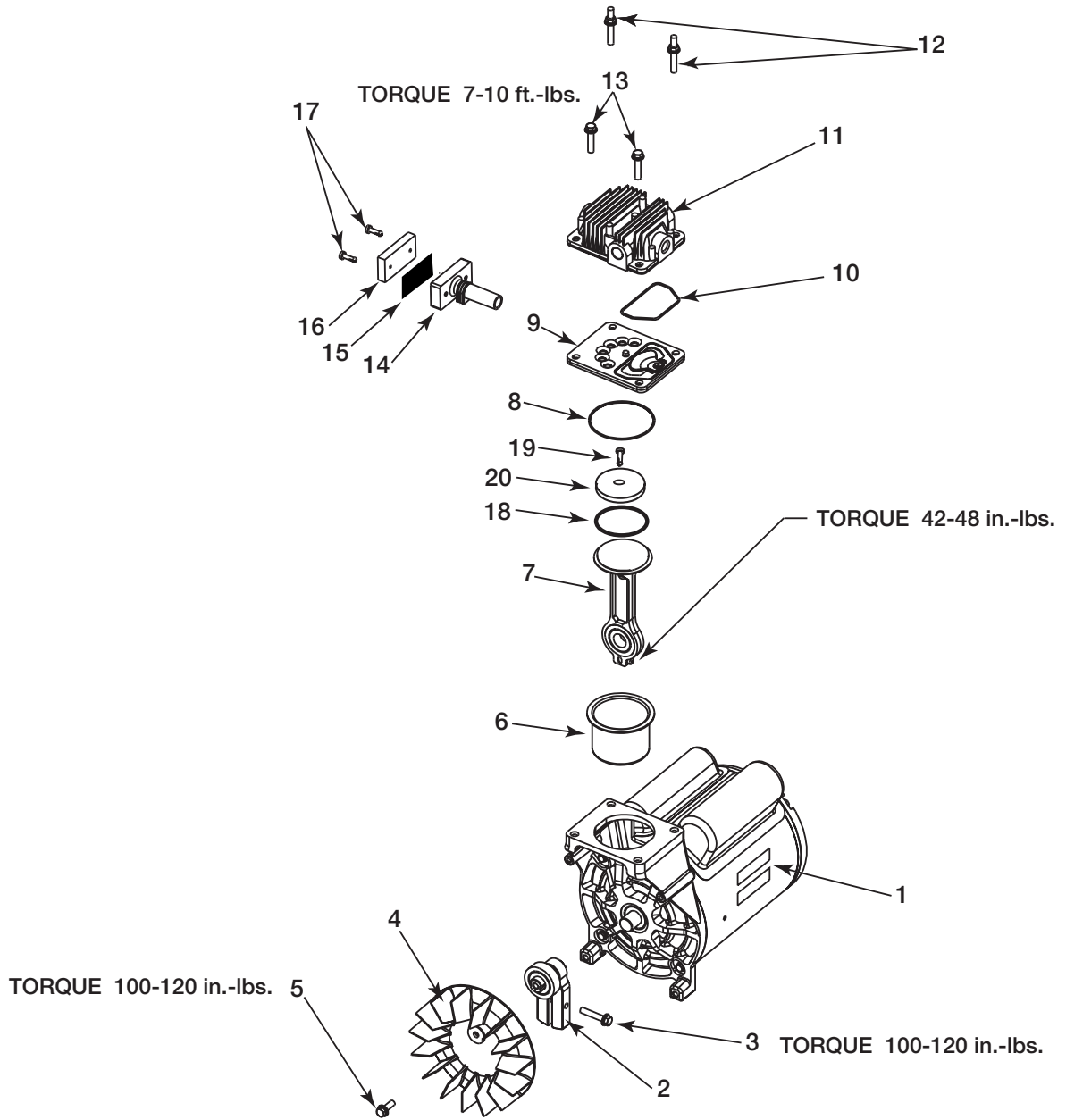
CPF4515 (cont'd)

| Key No. | Part Number | Description |
|----------------|--------------------|-----------------------------|
| 1 | CAC-1080 | Tool Tray |
| 2 | D20151 | Shroud, Rear |
| 3 | CAC-1121 | Shroud Bracket |
| 4 | SS-655-ZN | Hex Nut 1/4-20 UNC |
| 5 | SSG-3105 | O-Ring |
| 6 | SSP-7821-1 | Nut Tubing 3/8" OD |
| 7 | AC-0125 | Outlet Tube |
| 8 | D20152 | Shroud, Front |
| 9 | GA-366 | Gauge |
| 10 | SSP-6021 | Bushing Reducer 1/8-1/4 NPT |
| 11 | SSW-7385 | Strain Relief Bushing |
| 12 | D20645 | Pressure Switch |
| 14 | SSW-7367 | Strain Relief Bushing |
| 16 | SUDL-413-2 | Power Cord Assembly |
| 17 | LA-2876 | Label, Power Cord |
| 18 | SS-2104 | Nipple 1/4-18 NPT x 2 |
| 19 | D20644 | Gauge |
| 20 | D20763 | Regulator |
| 21 | D20675 | Quick Connect |
| 22 | SSP-480 | Nipple 1/4-18 NPT x 2.50 |
| 23 | TIA-4150 | Safety Valve |
| 24 | CAC-1279 | Bushing Reducer |
| 25 | AC-0631 | Check Valve |
| 26 | AC-0047 | Fan Guard |
| 27 | D20168 | Air Tank |
| 28 | D20610 | Pressure Relief Tube |
| 29 | SSP-7811 | Nut Sleeve Assembly 1/4" |
| 30 | SSP-7813 | Nut Sleeve Assembly 3/8" |
| 31 | SSF-953-ZN | Screw 10 x 5/8 |
| 32 | ACG-19 | Isolator |
| 33 | SSF-3156 | Screw |
| 34 | 91895680 | Screw 1/4 - 20 x .75 |
| 35 | ACG-18 | Cup Saddle Mount |
| 36 | (See page 2) | Pump Assembly |
| 37 | AC-0014 | Wheel 9" |
| 38 | CAC-60 | Shoulder Bolt |
| 39 | SSF-8080-ZN | Hex Nut |
| 40 | SUDL-6-1 | Strip Rubber Foot |
| 41 | AC-0563 | Handle |
| 42 | AC-0558 | Grip |
| 43 | SSF-981 | Screw |
| 44 | SSP-490-1 | Bushing Face 3/4 x 1/2 NPT |

Not Illustrated

| | |
|-----------|--------------------------------|
| • LA-3027 | Label, Drain Tank Warning |
| • LA-3108 | Label, Hot Surface |
| • LA-3164 | Label, Pressure Switch Warning |
| • LA-3021 | Label, English/Spanish Warning |
| SS-2707 | Drain Valve |

CPF4515 (cont'd)



CPF4515 (cont'd)

| Key | | |
|------------|--------------------|----------------------------|
| No. | Part Number | Description |
| 1 | MO-9080 | Motor |
| 2 | AC-0140 | Eccentric Bearing Assembly |
| 3 | SSF-615 | Screw 1/4-20 UNC-2A THD |
| 4 | AC-0108 | Fan |
| 5 | SSF-586 | Screw 1/4 -20 UNC x .75 |
| ✓•6 | ----- | Cylinder Sleeve |
| ✓7 | ----- | Connecting Rod Assembly |
| ✓•8 | SSG-8156 | O-Ring |
| 9 | AC-0032 | Valve Plate Assembly |
| ✓•10 | ACG-45 | O-Ring |
| 11 | AC-0037 | Head |
| 12 | SSF-589 | Stud 1/4 - 20 x 1.125 |
| 13 | SSF-927 | Screw 1/4-20 x 1.125 |
| ▲14 | ----- | Muffler Intake |
| ▲15 | ----- | Screen Filter |
| ▲16 | DAC-143 | Filter Intake |
| ▲17 | ----- | Fastener Intake Filter |
| ✓18 | ----- | Compression Ring |
| ✓19 | SSF-3158-1 | Screw 10-24 x .75 |
| ✓20 | ----- | Compression Ring Cap |

NOT SHOWN

| | |
|--------|----------------|
| D20814 | General Manual |
| D20614 | Parts Manual |

| | |
|-----------|--------------------------------------|
| ▲ KK-4981 | Intake Muffler Kit |
| ✓ KK-4835 | Piston/Cylinder kit |
| • K-0058 | Cylinder Sleeve/Compression Ring kit |