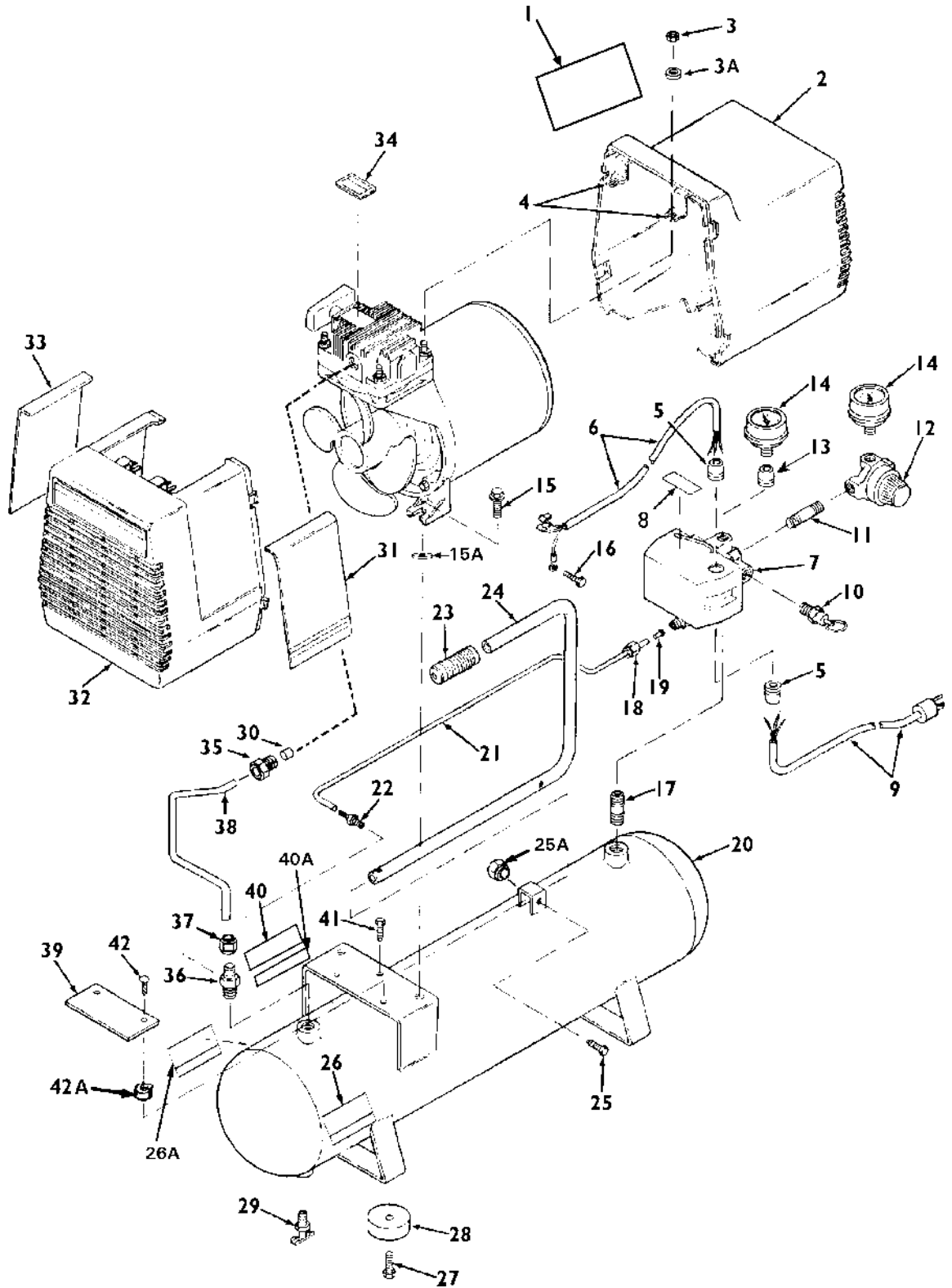


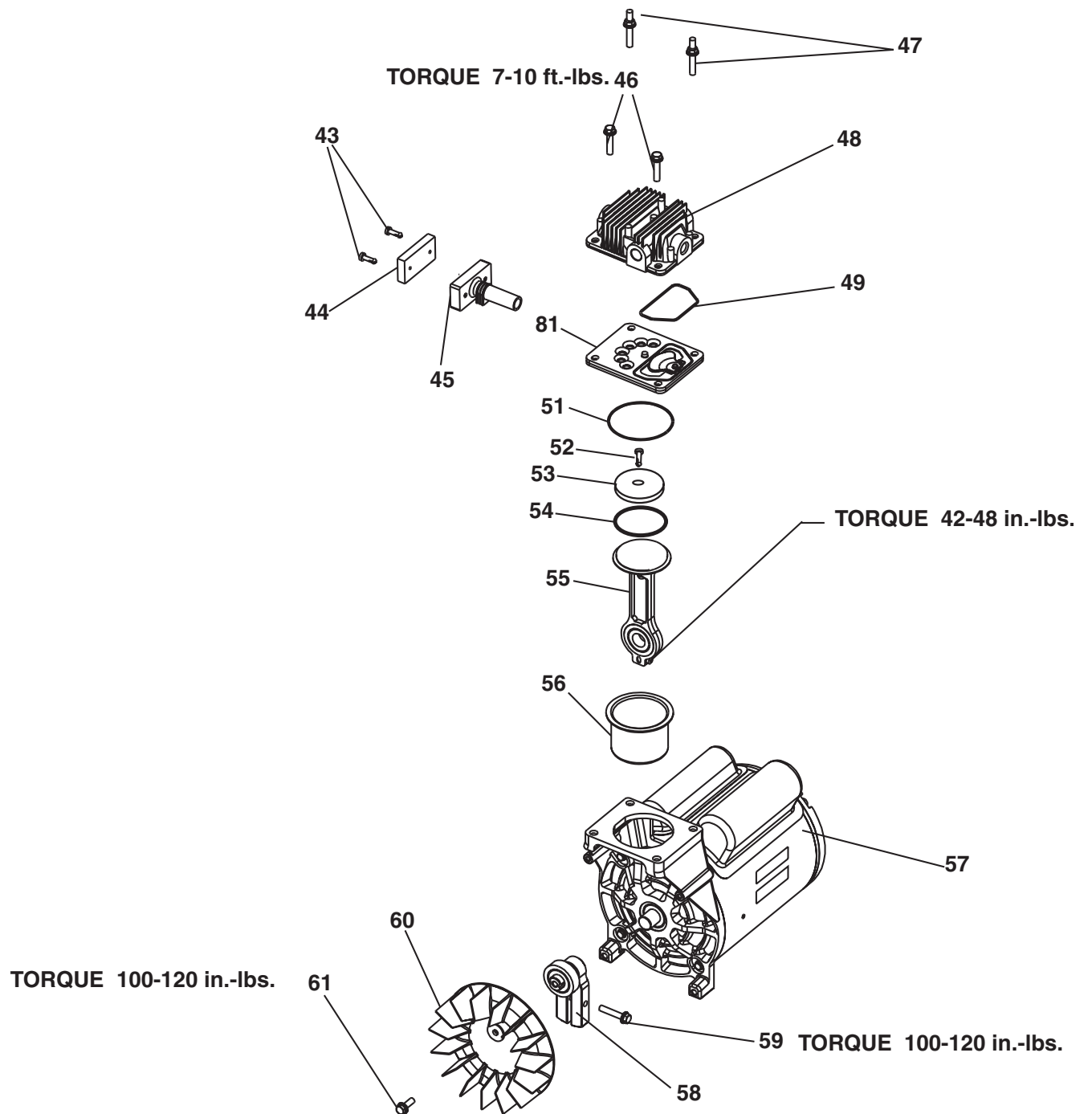
# DAC-7128-2



# DAC-7128-2 (cont'd)

<b>Key No.</b>	<b>PART NUMBER</b>	<b>DESCRIPTION</b>
1	—	—
2	CAC-4300	Rear Shroud Assembly (includes two #4)
3	SS-655-ZN	Locknut
3A	SSN-60-ZN	Washer (2 used)
4	CAC-1121	Rear Shroud Bracket (2 used - included with #2)
5	SSW-7367	Strain Relief (2 used)
6	CAC-4215-1	Cord Assembly - Motor
7	CAC-4332-1	Manifold/Switch
8	—	—
9	SUDL-403-1	Cord Assembly - line
10	TIA-4150	Safety Valve (150 psig)
11	SS-1286	Nipple (1/4" NPT x 7/8")
12	CAC-4296-1	Regulator
13	SSP-6021	Bushing, Reducer
14	GA-369	Regulated Pressure Gauge, 1/8" NPT
15	SSF-928	Screw (2 used)
15A	SSW-7462	Spacer
16	SUDL-9-1	Ground Screw
17	SS-2071	Nipple (1/4" NPT x 1 1/2" long)
18	SSP-7811	Nut Sleeve Assy. (for 1/4" O.D. tube)
19	SSP-9013	Tube Insert
21	CAC-1245	Pressure Relief Tube
22	SSP-6088	Barbed Fitting
23	CAC-1244	Handle Grip
24	CAC-1243	Handle
25	SSF-999-1	Screw, 1/4"-20" x 1 1/2" (1 used)
25A	SSF-8150	Hex Nut
26	—	—
26A	—	—
27	SSF-925	Screw (4 used) (torque snug)
28	SST-5314-1	Rubber Foot (4 used)
29	SS-2707	Drain Valve
30	SSG-3105	O-Ring
31	—	—
32	AC-0078	Front Shroud
33	—	—
34	—	—
35	SSP-7821-1	Compression Nut
36	CAC-4290-3	Check Valve
37	SSP-7813	Nut Sleeve Assembly
38	AC-0127	Outlet Tube
39	AC-0155	Plate
40	—	—
40A	—	—
41	SSF-953-ZN	Screw #10 x 5/8" SMS (1 used)
42	SSF-1000	Ratchet Fastener (2 used)
42A	SSN-62	Nylon Spacer (2 used)

# DAC-7128-2 (cont'd)



# DAC-7128-2 (cont'd)

## KEY

	<u>NO.</u>	<u>PART NUMBER</u>	<u>DESCRIPTION</u>
✓	43	-----	Fasteners (2)
✓	44	DAC-143	Filter
	45	KK-4977	Intake Muffler Kit (includes 43, 44, 46)
	46	SSF-927	Screw
	47	SSF-589	Stud 1/4"-20 x 1 1/8" (4 used)
	48	AC-0037	Head Assembly
●	49	ACG-45	O-Ring
	50	AC-0032	Valve Plate Assembly
●	51	SSG-8156	Valve Plate O-Ring Seal
●x	52	SSF-3158-1	Screw (10-24 x .75 T25 Torx)
●	53	-----	Connecting Rod Cap
●x	54	-----	Compression Ring (Sold In Kit)
●	55	-----	Connecting Rod Assembly
●x	56	-----	Cylinder Sleeve (Position locating mark toward motor)
	57	MO-3025-2	Motor
	58	AC-0140	Eccentric
	59	SSF-615	Set Screw
	60	AC-0108	Fan
	61	SSF-586	Fan Screw

### NOT ILLUSTRATED

D20561 Owners Manual

✓ Keys No. 43 and 44 can only be purchased as part of KK-4977 (Key 45) Kit, which includes 2 of Key 43, 1 of Key 44, and a wire screen. This 3/4 HP model does not require use of the wire screen support behind the filter.

● Keys No. 49, 51, 52, 53, 54, 55, and 56 can only be purchased as part of KK-4835 Connecting Rod and Cylinder Kit.

x Keys No. 52, 54 and 56 can only be purchased as part of K-0650 Compression Ring/Cylinder Kit.