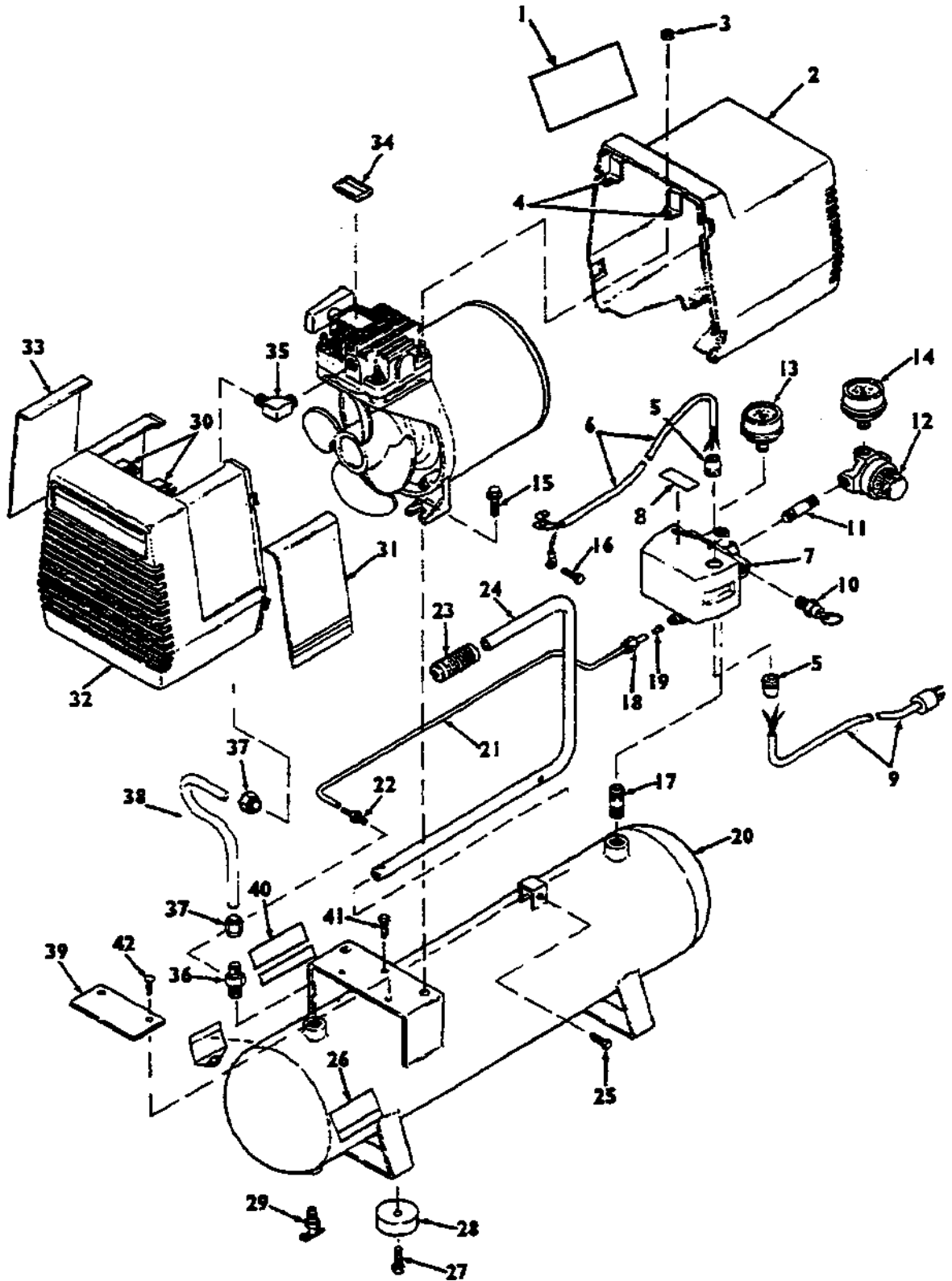


# DAC-7128

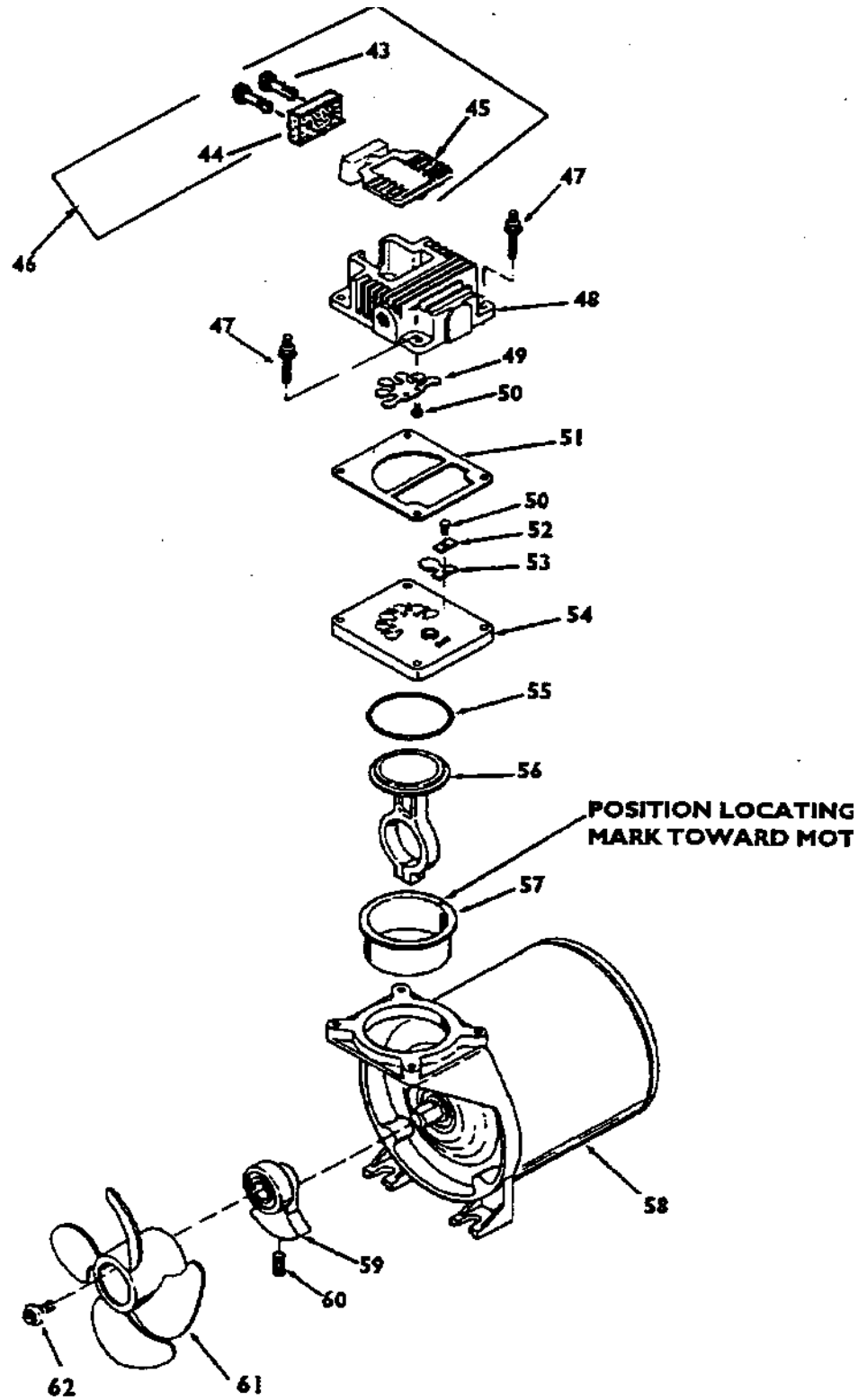


# DAC-7128

## KEY

<u>NO.</u>	<u>PART NUMBER</u>	<u>DESCRIPTION</u>
1	----	----
2	CAC-4260	Rear Shroud Assembly (includes two #4)
3	SS-655-ZN	Locknut
4	CAC-351	Rear Shroud Bracket (2 used - included with #2)
5	SSW-7367	Strain Relief (2 used)
6	CAC-4215-1	Cord Assembly - Motor
7	CAC-4332-1	Manifold/Switch
8	----	----
9	SUDL-403-1	Cord Assembly - line
10	TIA-4150	Safety Valve (150 psig)
11	SS-1286	Nipple (1/4" NPT x 7/8")
12	CAC-4296-1	Regulator
13	C-GA-346	Tank Pressure Gauge, 1/4" NPT
14	C-GA-345	Regulated Pressure Gauge, 1/8" NPT
15	SUDL-9-1	Screw (2 used)
16	SSF-928	Ground Screw
17	SS-2071	Nipple (1/4" NPT x 1 1/2" long)
18	SSP-7811	Nut Sleeve Assy. (for 1/4" O.D. tube)
19	SSP-9013	Tube Insert
20	----	----
21	CAC-1245	Pressure Relief Tube
22	SSP-6088	Barbed Fitting
23	CAC-1244	Handle Grip
24	CAC-1243	Handle
25	SSF-999-1	Screw, 1/4"-20" x 1 1/2" (1 used)
26	----	----
27	SSF-925	Screw (4 used) (torque snug)
28	SST-5314-1	Rubber Foot (4 used)
29	SS-2707	Drain Valve
30	CAC-330-1	O-Ring
31	----	----
32	CAC-331-2	Front Shroud
33	----	----
34	----	----
35	SSP-6429	Compression Nut
36	CAC-4290-3	Check Valve
37	SSP-7813	Nut Sleeve Assembly
38	CAC-275	Outlet Tube
39	AC-0155	Plate
40	----	----
41	SSF-953-ZN	Screw #10 x 5/8" SMS (1 used)
42	SSN-8001	Ratchet Fastener (2 used)

# DAC-7128 (cont'd)



# DAC-7128 (cont'd)

<b>KEY</b>		
<b>NO.</b>	<b>PART NUMBER</b>	<b>DESCRIPTION</b>
✓ 43	KK-4973	Fasteners (2)
✓ 44	KK-4973	Filter
45	KK-4976	Intake Muffler Kit (includes 43, 44)
46	KK-4973	Filter Replacement Kit
47	SSF-6637	Stud 1/4"-20 x 1 1/8" (4 used)
+ 48	K-0213	Head Assembly
49	CAC-245-1	Flapper Valve - Intake
50	SSF-9821	Screw #5-40 x 1/4" (3 used)
51	CAC-251-2	Gasket
52	CAC-369	Restrictor
53	CAC-246-3	Flapper Valve - Exhaust
▲ 54	CAC-4203-1	Valve Plate Assembly
55	SSG-8133	O-Ring
● 56	KK-4863	Connecting Rod Assembly (Torque screw 30-45 in. lbs.)
● 57	KK-4863	Cylinder Sleeve (Position locating mark toward motor)
58	M0-5421-2	Motor 3/4 HP
59	CAC-4201-1	Eccentric Assembly (includes bearing)
60	SSF-2043	Set Screw (Torque 75-85 in. lbs.)
x 61		Fan
62	SSF-3101	Screw #10-24 x 3/8" long (Torque 30-45 in. lbs.)

## **NOT ILLUSTRATED**

MGP-DAC-7128 Owners Manual

- ✓ Keys No. 43 and 44 can only be purchased as part of KK-4863 (Key 46) Kit, which includes 2 of Key 43, 2 of Key 44, and a wire screen. This 3/4 HP model does not require use of the wire screen support behind the filter.
- Keys No. 56 and 57 can only be purchased as part of KK-4464 Connecting Rod Kit and Cylinder Kit.
- x Keys No. 61 can only be purchased as part of KK-4465 which includes (1) SSF-3101 (Key 62).
- + Key No. 48 includes 1 of Key 49 and 2 of Key 50.
- ▲ Key No. 54 includes 1 each of Key 50, 52, 53.