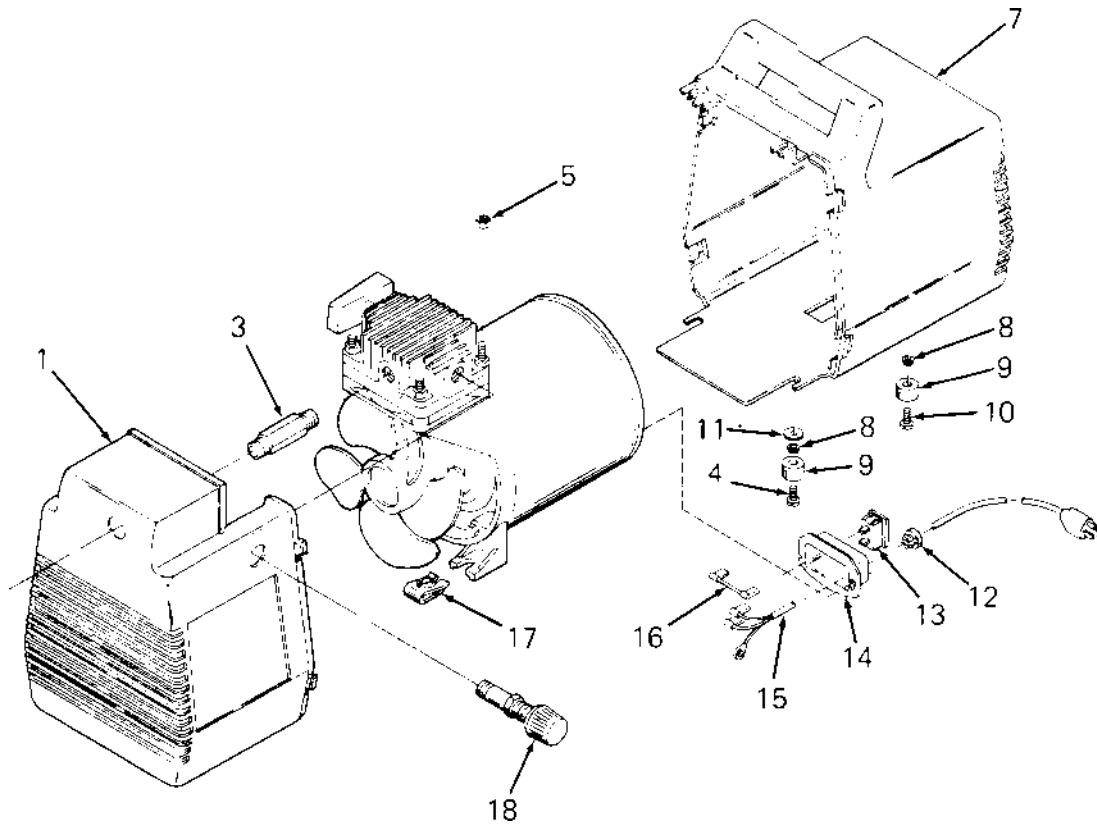


# F10-1

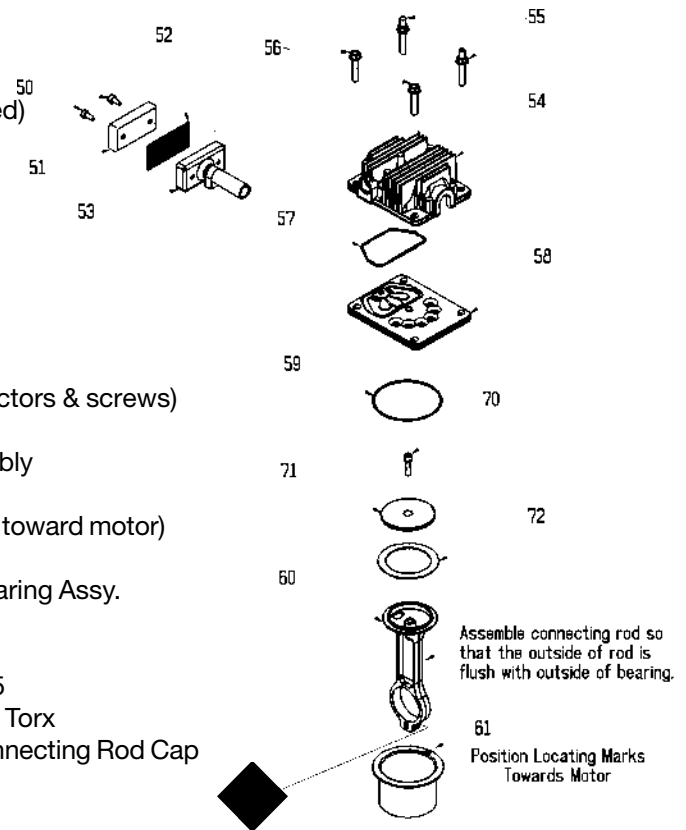


# F10-1 (cont'd)

<b>KEY NO.</b>	<b><u>PART NUMBER</u></b>	<b><u>DESCRIPTION</u></b>
1	AC-0153	Shroud - front
3	CAC-1146	Adapter
4	SSF-983-ZN	Sheet Metal Screw #8 x 1" LG (2 used)
5	SS-655-ZN	Hex nut 1/4"-20 (2 used)
7	CAC-4307	Rear shroud assembly
8	SSW-7428	Eyelet (3 used)
9	SST-5309	Recess bumper (3 used)
10	SSF-960-ZN	Sheet Metal Screw #8 x 5/8 LG
11	SSN-53	Flat washer (2 used)
12	SSW-7367	Strain relief
13	SSS-16	Switch
14	CAC-1424	Terminal box cover
15	CAC-4232	Cord assembly
16	CAC-4231	Jumper wire
17	SSF-8131	Speed nut (3 used)
18	TIA-4378	Adjustable pressure valve

# F10-1 (cont'd)

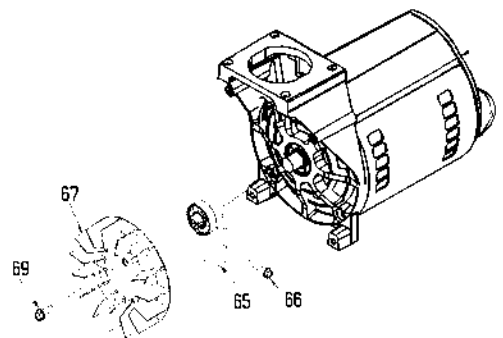
KEY NO.	PART NUMBER	DESCRIPTION
+ 50	---	Air filter fastener (2 used)
51	DAC-143	Air filter
+ 52	---	Muffler screen
+ 53	---	Intake muffler
54	AC-0037	Head
55	SSF-589	Stud 1/4"-20 x 1 1/4"
56	SSF-927	Screw 1/4-20 x 1 1/4"
*✓ 57	ACG-45	O-Ring
58	AC-0032	Valve plate assembly (includes valves, restrictors & screws)
*✓ 59	SSG-8156	O-ring
* 60	---	Connecting rod assembly
*✓ 61	---	Cylinder sleeve (position locating mark toward motor)
62	M0-3025-2	Motor
65	AC-0140	Eccentric Flywheel Bearing Assy.
66	SSF-615	Screw 1/4-20 unc-2A
67	AC-0108	Fan
69	SSF-586	Screw 1/4-20 unc x .75
* ✓ 70	SSF-3158-1	Screw 10-24 X .75 T25 Torx
* 71	---	Compression Ring Connecting Rod Cap
* ✓ 72	---	Compression Ring



### NOT ILLUSTRATED

H-5796	Hose assembly (1/4" x 15')
SSH-20	Air Chuck
MG1-UMCCOMP-3	Owners Manual
MP1-F10-1	Parts Manual

KEY NO.	TORQUE
55	7 to 10 Ft. Lbs.
56	7 to 10 Ft. Lbs.
66	100 to 120 In. Lbs.
69	80 to 100 In. Lbs.
◆	42 to 48 In. Lbs.



- + Keys 50, 52 and 53 can only be purchased as part of KK-4977 (also includes Key #51).
- \* Keys 57, 59, 60, 61, 70, 71, and 72 are purchased as part of KK-4835 piston/cylinder kit.
- ✓ Keys 57, 59, 61, 70 and 72 can be purchased as part of K-0058 cylinder sleeve/compression ring kit.