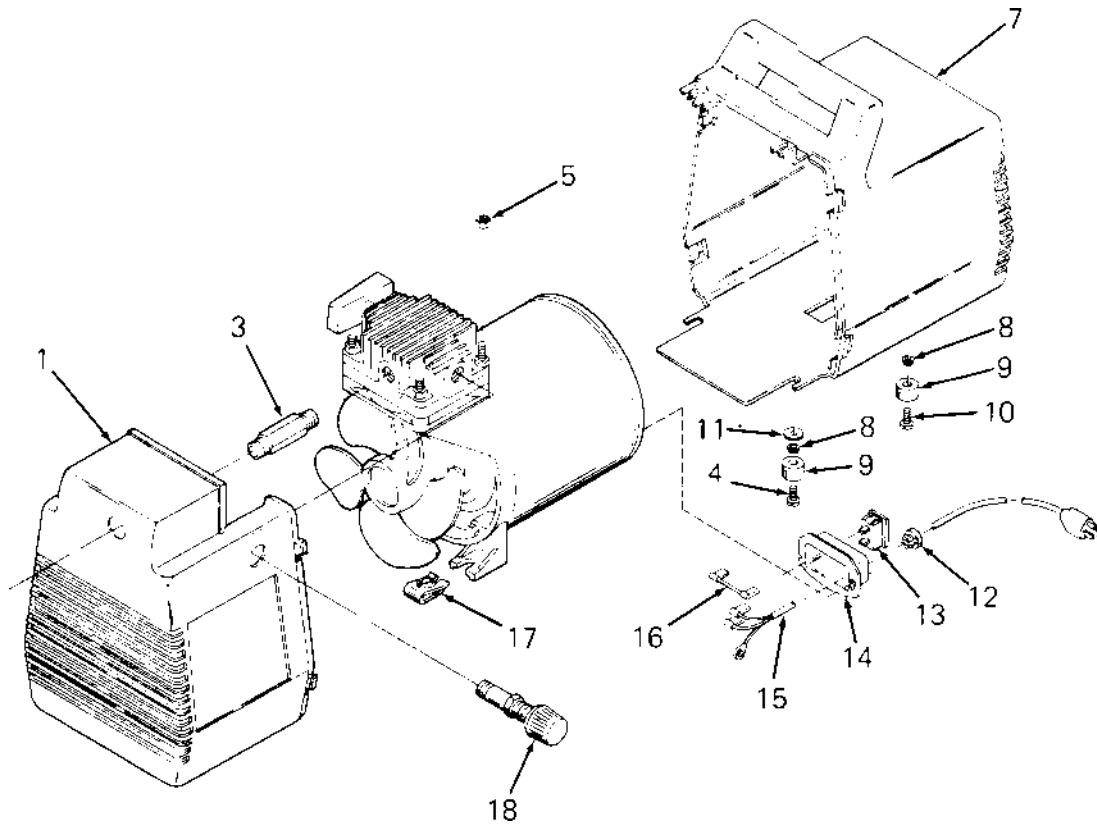


F10



F10 (cont'd)

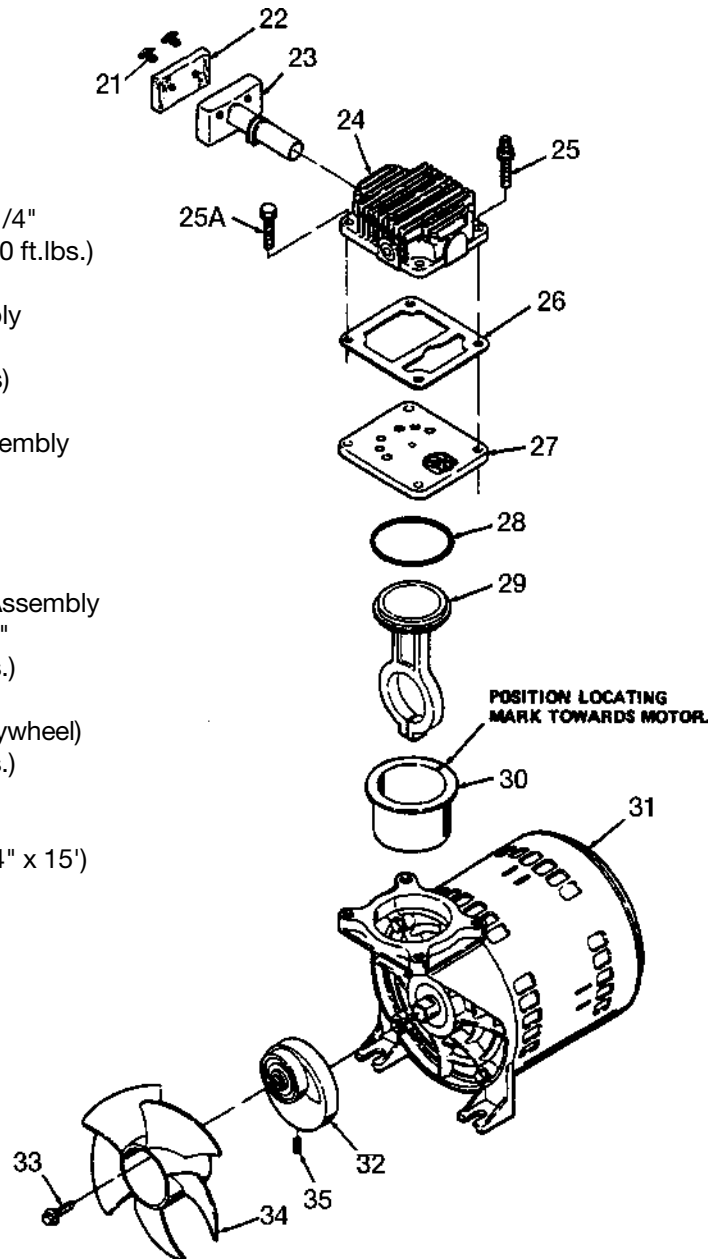
KEY		
<u>NO.</u>	<u>PART NUMBER</u>	<u>DESCRIPTION</u>
1	AC-0153	Shroud - front
3	CAC-1146	Adapter
4	SSF-983-ZN	Sheet Metal Screw #8 x 1" LG (2 used)
5	SS-655-ZN	Hex nut 1/4"-20 (2 used)
7	CAC-4307	Rear shroud assembly
8	SSW-7428	Eyelet (3 used)
9	SST-5309	Recess bumper (3 used)
10	SSF-960-ZN	Sheet Metal Screw #8 x 5/8 LG
11	SSN-53	Flat washer (2 used)
12	SSW-7367	Strain relief
13	SSS-16	Switch
14	CAC-1424	Terminal box cover
15	CAC-4232	Cord assembly
16	CAC-4231	Jumper wire
17	SSF-8131	Speed nut (3 used)
18	TIA-4378	Adjustable pressure valve

F10 (cont'd)

KEY NO.	PART NUMBER	DESCRIPTION
X 21	---	Fastener, Filter
X 22	DAC-143	Intake Filter
X 23	---	Intake muffler
24	ACG-46	Head
25	SSF-6640	Shoulder stud 1/4"-20 x 1 1/4" (2 used. Torque 7-10 ft.lbs.)
25A	SSF-990	Screw 1/4"-20 x 1/1/4" (2 used. Torque 7-10 ft.lbs.)
26	CAC-1066	Gasket
27	ACG-402	Valve plate assembly (includes valves, restrictors & screws)
28	SSG-8156	O-ring
* 29	---	Connecting rod assembly (Torque Screw 30-45 in.lbs.)
* 30	---	Cylinder sleeve
31	MO-3025-2	Motor 1 HP
32	CAC-4306-2	Eccentric/Bearing Assembly
33	SSF-3101	Screw #10-24 x 3/8" (Torque 30-45 in.lbs.)
34	CAC-1055-1	Fan
35	SSF-2043	Screw (Eccentric/Flywheel) (Torque 50-60 in.lbs.)

NOT ILLUSTRATED

H-5796	Hose assembly (1/4" x 15')
SSH-20	Air chuck
MG1-UMCCOMP-3	Owners Manual
MP1-F10-1	Parts Manual



- * Key 29 & 30 can only be purchased as part of KK-4835 connecting rod kit.
- X Keys 21 & 23 can only be purchased as part of KK-4973 Intake Filter Kit. Also includes one of Key 22.