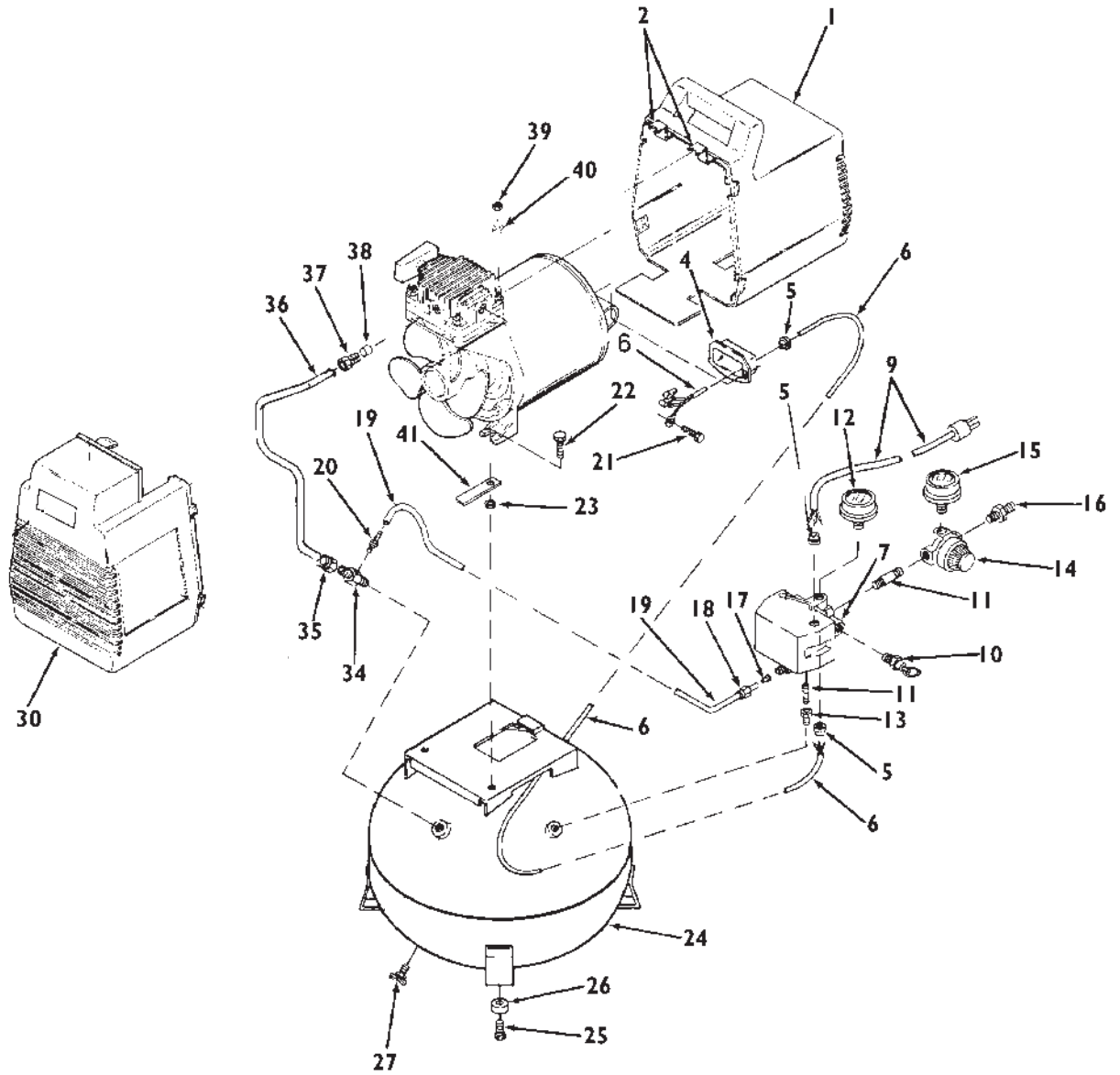


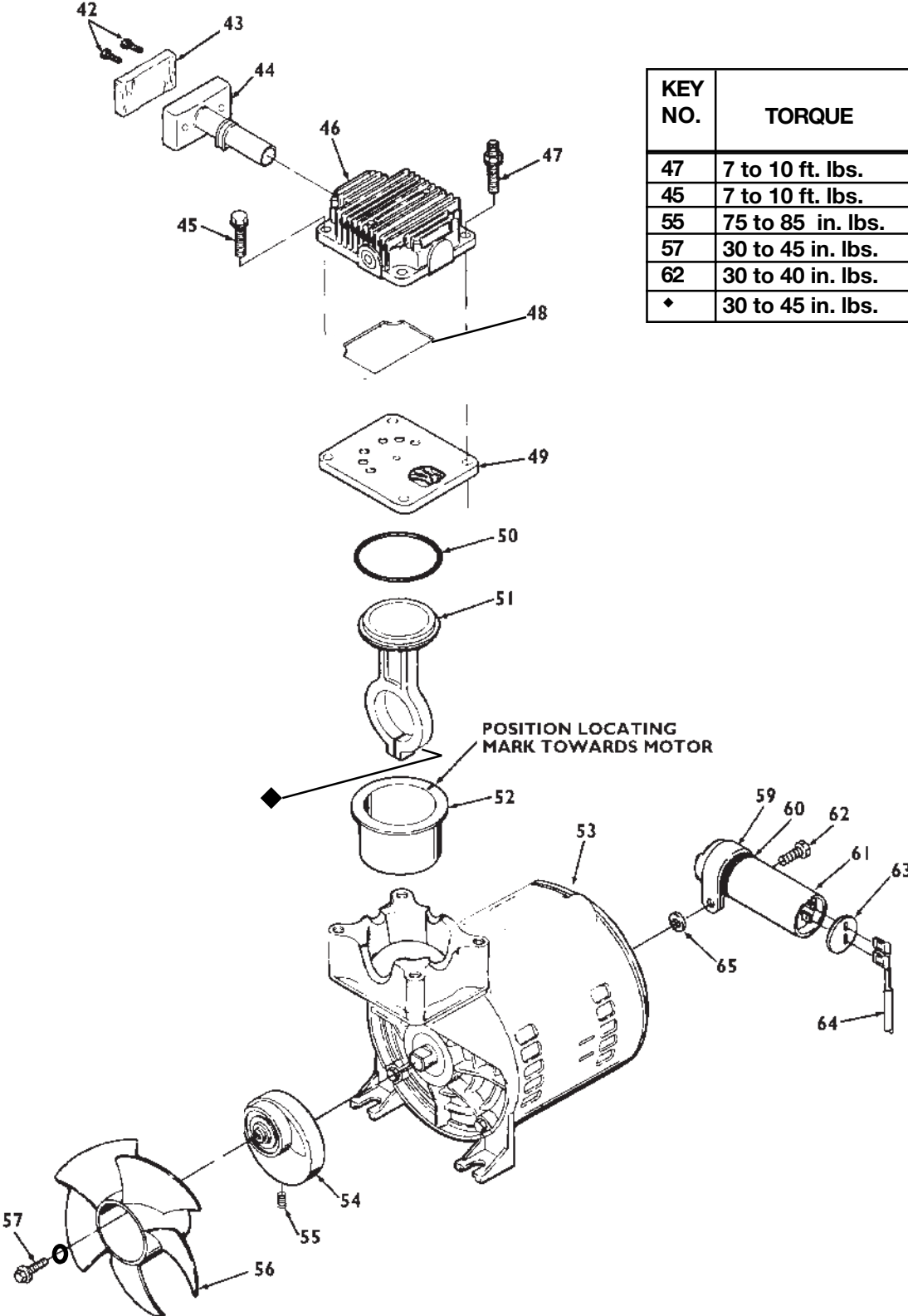
F14



F14 (cont'd)

KEY NO.	PART NUMBER	DESCRIPTION
1	CAC-4091	Rear shroud assembly (includes two #2)
2	CAC-1121	Bracket (2 used)
4	CAC-1169	Terminal box
5	SSW-7367	Strain relief (3 used)
6	CAC-4205	Cord assembly - motor
7	CAC-4332-2	Pressure switch/manifold
9	SUDL-403-1	Cord assembly - line
10	TIA-4150	Safety valve
11	SS-1286	Nipple (2 used)
12	C-GA-346	Tank pressure gauge, 1/4 NPT thread
13	SSF-8086-1	Adapter
14	CAC-4296	Regulator
15	C-GA-345	Regulated pressure gauge, 1/8 NPT thread
16	H-2099	Adapter
17	SSP-9013	Tube insert
18	SSP-7811	Nut sleeve assembly (1/4")
19	CAC-1085	Pressure relief tube
20	SSP-6088	Barbed fitting
21	SUDL-9-1	Ground screw
22	SSF-928	Screw (2 used) (torque to 45-50 in.lbs.)
23	SSW-7462	Spacer
24	-----	Air tank
25	SSF-925	Screw (4 used) (torque snug)
26	SST-5314-1	Rubber foot (4 used)
27	SS-2707	Drain valve
30	CAC-1163-1	Front shroud
34	CAC-4290-3	Check valve
35	SSP-7813	Nut sleeve assembly (for 3/8" O.D. tube)
36	CAC-1168	Outlet tube
37	SSP-7821-1	Nut (tighten until it stops)
38	CAC-1120	Sleeve
39	SS-655-ZN	Locknut (2 used) (torque to 50-60 in.lbs.)
40	SSN-60-ZN	Washer (2 used)
41	CAC-1178	Hold-down strip (2 used)

F14 (cont'd)



KEY NO.	TORQUE
47	7 to 10 ft. lbs.
45	7 to 10 ft. lbs.
55	75 to 85 in. lbs.
57	30 to 45 in. lbs.
62	30 to 40 in. lbs.
♦	30 to 45 in. lbs.

F14 (cont'd)

KEY		
NO.	PART NUMBER	DESCRIPTION
● 42	-----	Intake Filter Fasteners (2 used)
● 43	DAC-143	Air filter
● 44	-----	Intake muffler
45	SSF-990	Screw 1/4"-20 x 1 1/4" (2 used)
X 46	ACG-26	Head
47	SSF-6640	Stud 1/4"-20 x 1 1/4" (2 used)
+ X 48	ACG-45	O-ring
X 49	ACG-402	Valve plate assembly (includes valves, restrictors & screws)
+ X 50	SSG-8156	O-ring
+ 51	-----	Connecting rod assembly
+ 52	-----	Cylinder sleeve (position locating mark towards motor)
53	C-MO-3005-2	Motor 1 HP
54	CAC-4306-2	Eccentric/flywheel & bearing assembly
55	SSF-3153	Screw
56	CAC-1055-1	Fan
57	SSF-3157	Screw #10-24 x 3/8"
58	SS-6505-CD	Washer
59	DAC-118	Capacitor bracket
60	SS-9816	Electrical tape
61	SSE-3106	Capacitor - 2 terminal
62	SSF-1320	Screw
63	DAC-120	Capacitor insulator
64	CAC-1177	Capacitor wire assy.
65	SSN-1024-ZN	Lock washer

NOT ILLUSTRATED

MG2-OFTANK-4A	Owners Manual
MP2-F14-1	Parts Manual

+ Keys # 48, 50, 51 & 52 can only be purchased as part of KK-4835 Connecting Rod Kit.

● Keys 42, 43 & 44 can only be purchased as part of KK-4977 Service Kit.

x Keys 46, 48, 49 & 50 can be purchased as part of KK-5040 Head/Valve Plate Kit.