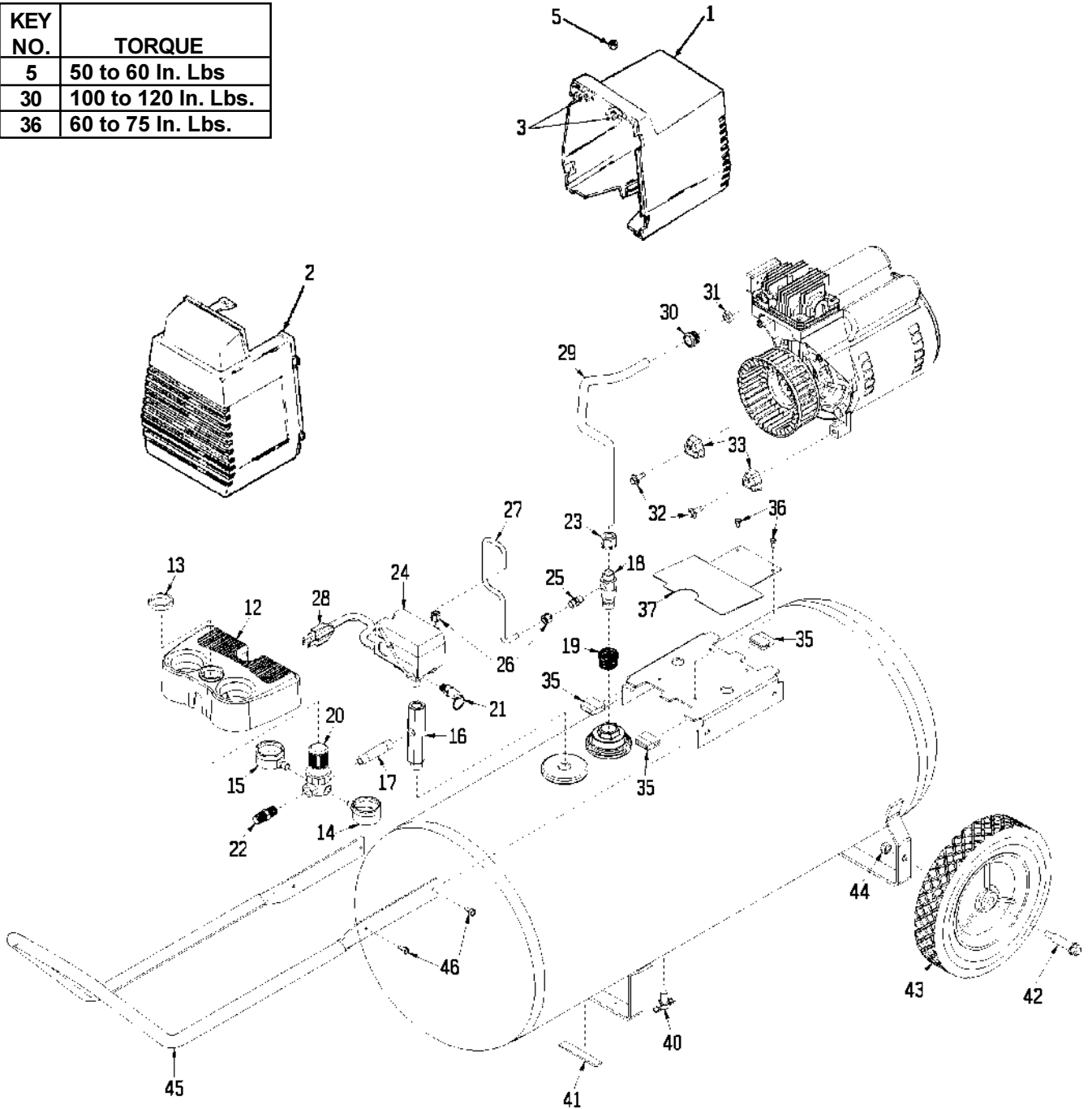


F18-2

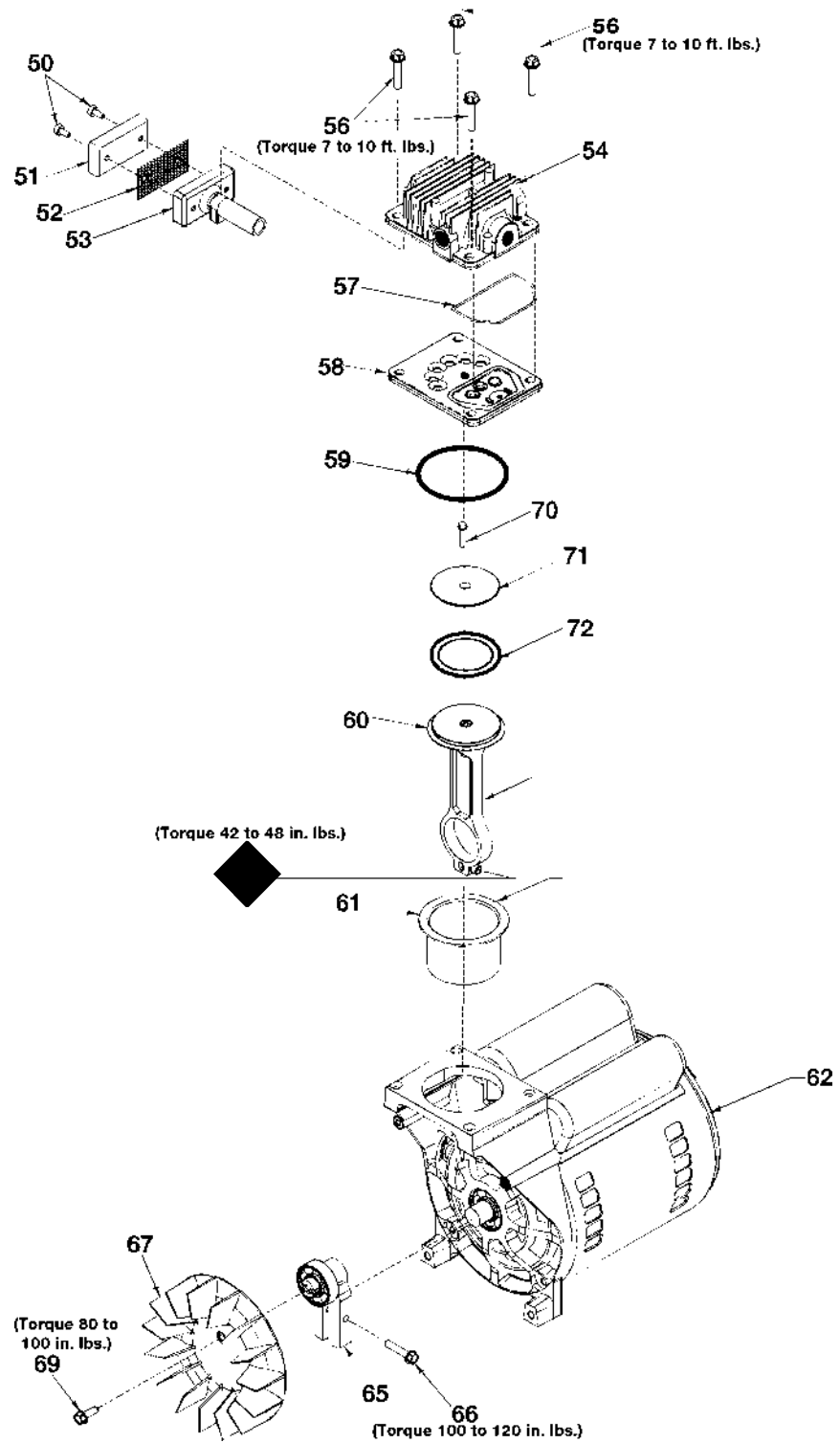
| KEY NO. | TORQUE |
|---------|---------------------|
| 5 | 50 to 60 In. Lbs |
| 30 | 100 to 120 In. Lbs. |
| 36 | 60 to 75 In. Lbs. |



F18-2 (cont'd)

| KEY NO. | PART NUMBER | DESCRIPTION |
|--------------------|--------------------|--|
| 1 | AC-0055 | Shroud, Rear |
| 2 | AC-0078 | Shroud, Front |
| 3 | CAC-1121 | Bracket (2 used) |
| 5 | SS-655-ZN | Hex Nut 1/4" - 20 (2 used) |
| 12 | AC-0011 | Console, Cover |
| 13 | CAC-61 | Ring, Panel Mounting |
| 14 | AC-0009-1 | Gaugle, RT Hand |
| 15 | AC-0010-1 | Gauge, LT Hand |
| 16 | AC-0027-2 | Manifold |
| 17 | SSP-480 | Nipple, 1/4 x 2.5" |
| 18 | CAC-4290-3 | Check Valve |
| 19 | SSP-490 | Reducer |
| 20 | AC-0007 | Regulator |
| 21 | 97503734 | Safety Valve |
| 22 | H-2101 | Adaptor |
| 23 | SSP-7813 | Nut/Sleeve Assy. |
| 24 | AC-0008-2 | Pressure Switch |
| 25 | SS-8553 | Connector Body |
| 26 | SSP-7811 | Nut/Sleeve Assy. (2 used) |
| 27 | AC-0028 | Pressure Relief Tube |
| 28 | SUDL-403-1 | Cord Assembly |
| 29 | CAC-1120 | Outlet Tube |
| 30 | SSP-7821-1 | Nut Brass Compression (3 used) |
| 31 | CAC-1120 | Silicone Sleeve |
| 32 | SSF-990 | Screw, 1/4 - 2 ounce - 2A THD Forming (2 used) |
| 33 | ACG-18 | Cup, Saddle Mount (2 used) |
| 35 | ACG-19 | Isolator (3 used) |
| 36 | SSF-953-ZN | Screw 10 x 5/8 (2 used) |
| 37 | AC-0047 | Shroud Plate |
| 40 | SS-2707 | Drain Valve |
| 41 | SUDL-6-1 | Strip, Rubber Foot |
| 42 | CAC-60 | Shoulder Bolt (2 used) |
| 43 | CAC-4299 | Wheel - 6" (2 used) |
| 44 | SSF-8080-ZN | Nut, Hex 3/8" (2 used) |
| 45 | AC-0563 | Handle |
| 46 | SSF-981 | Screw (4 used) |

F18-2 (cont'd)



F18-2 (cont'd)

| KEY | | |
|-------------------|---------------------------|---|
| <u>NO.</u> | <u>PART NUMBER</u> | <u>DESCRIPTION</u> |
| + 50 | --- | Air filter fastener (2 used) |
| 51 | DAC-143 | Air filter |
| + 52 | --- | Muffler screen |
| + 53 | --- | Intake muffler |
| 54 | AC-0039 | Head |
| 55 | SSF-589 | Stud 1/4"-20 x 1 1/4" |
| 56 | SSF-927 | Screw 1/4-20 x 1 1/4" |
| ✓* 57 | ACG-45 | O-Ring |
| 58 | Z-AC-0032 | Valve plate assembly (includes valves, restrictors & screws) |
| ✓* 59 | SSG-8156 | O-ring |
| * 60 | --- | Connecting rod assembly |
| *✓ 61 | --- | Cylinder sleeve (position locating mark toward motor) |
| 62 | Z-M0-3025-2 | Motor |
| 65 | Z-AC-0140 | Eccentric Flywheel Bearing Assy. |
| 66 | SSF-990 | Screw 1/4-20 unc-2A |
| 67 | AC-0108 | Fan |
| 69 | SSF-586 | Screw 1/4-20 unc x .75 |
| *✓ 70 | SSF-3158-1 | Screw 10-24 X .75 T25 Torx |
| * 71 | --- | Compression Ring Connecting Rod Cap |
| *✓ 72 | --- | Compression Ring |

NOT ILLUSTRATED

| | |
|---------------|-----------------------|
| KK-4315 | Pressure Relief Valve |
| MG2-OFTANK-4A | Owners Manual |
| MP2-F18-3 | Parts Manual |

+ Keys 50, 52 and 53 can only be purchased as part of KK-4977 (also includes Key #51).

* Keys 57, 59, 60, 61, 70, 71, and 72 are purchased as part of KK-4835 piston/cylinder kit.

✓ Keys 57, 61, 70 and 72 can be purchased as part of K-0058 cylinder sleeve/compression ring kit.