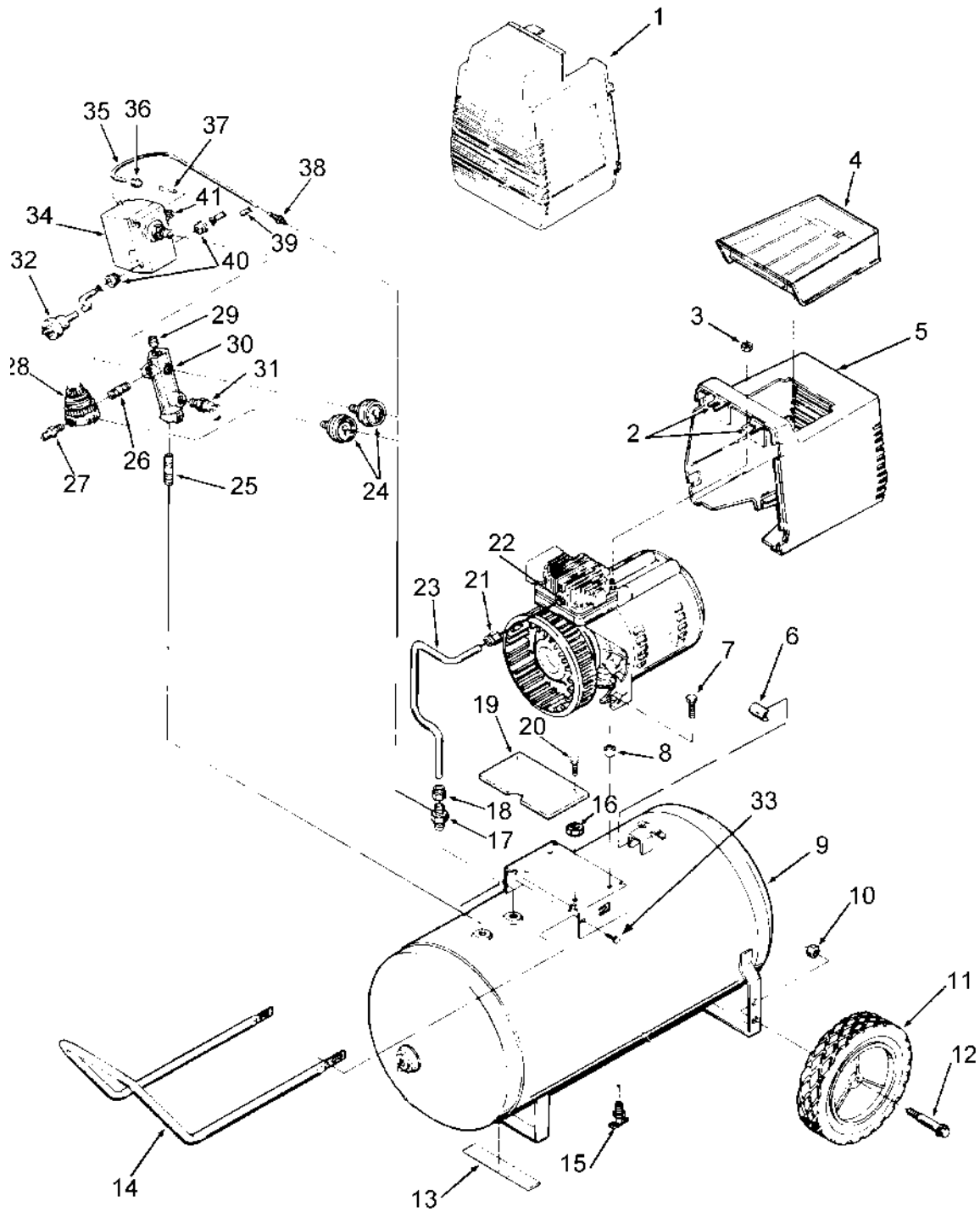


F312 F320



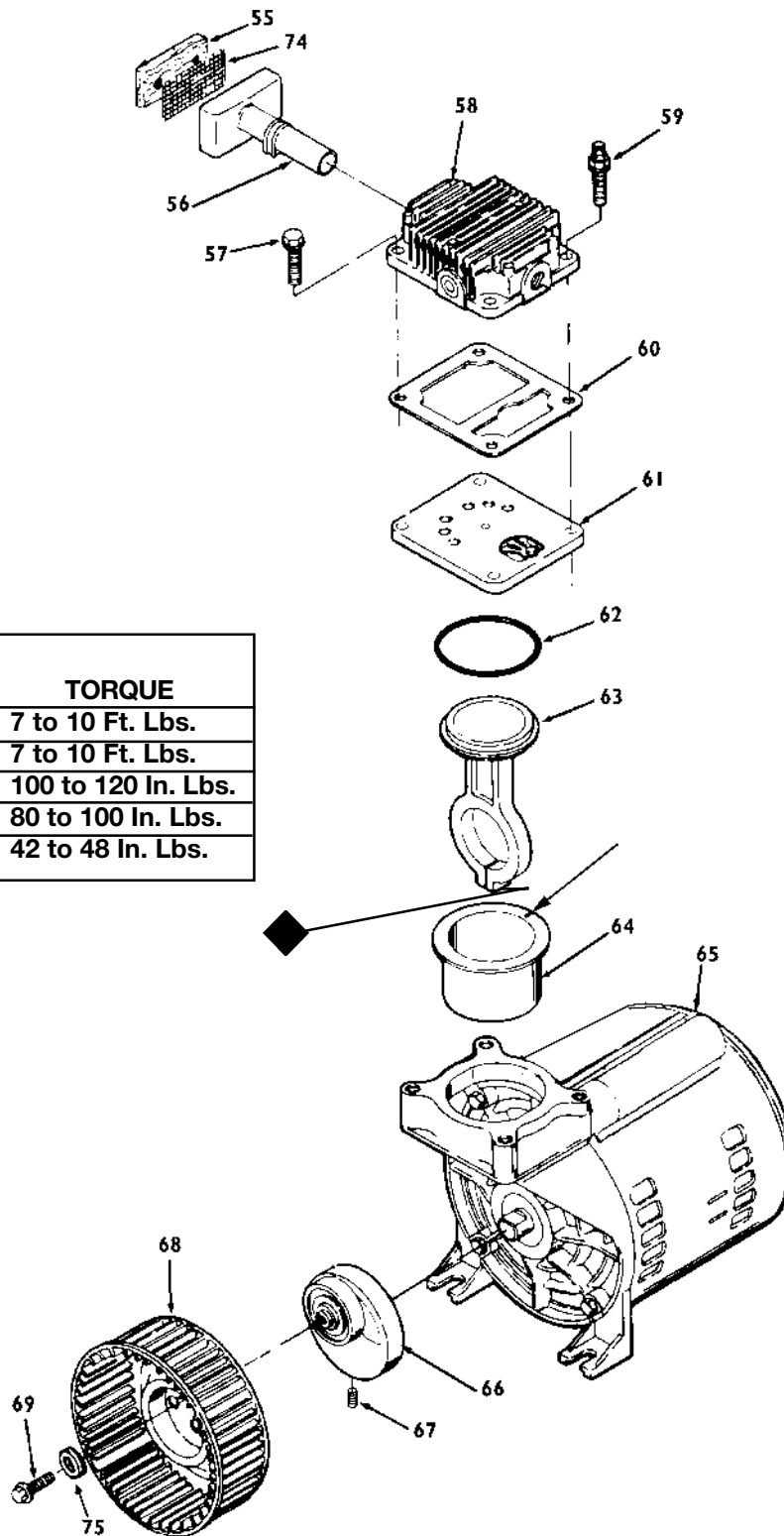
F312

F320 (cont'd)

KEY NO.	PART NUMBER	DESCRIPTION
4	AC-0078	Shroud - front
7	CAC-1121	Bracket (2 used - included with #10)
8	SS-655-ZN	Hex Nut 1/4"-20 (2 used)
9	CAC-1080	Tool tray
10	CAC-1082-2	Rear shroud assembly (includes 2 ea. #7)
11	CAC-1099	U-Channel isolator
12	SSF-505	Shoulder screw (2 used)
13	CAC-1098	Isolator (2 used)
16	SSF-8080-ZN	Nut 3/8"-16 (2 used)
17	CAC-4293	Wheel 8" (2 used)
18	CAC-60	Shoulder bolt 3/8"-16 x 2 1/4" (2 used)
20	SUDL-6-1	Rubber foot strip
22	CAC-1304-1	Handle (black finish)
26	CAC-4290-3	Check Valve
27	SSP-7813	Nut sleeve assembly (for 3/8" O.D. Tube)
28	AC-0155	Shroud Plate
29	SSF-1000	Ratchet Fastener (2 used)
30	SSP-7821-1	Nut (tighten until it stops against head)
31	CAC-1155	Outlet tube
32	GA-362	Pressure Gauge (2 used)
33	SSN-62	Nylon Spacer
34	SS-2072	Nipple (3/8" NPT x 1 1/2" long)
35	SS-2071	Nipple (1/4" NPT x 1 1/2" long)
36	H-2099	Adapter
37	CAC-4296-1	Regulator
38	SS-3222-CD	Pipe plug 1/4" NPT
39	CAC-1327	Manifold
40	97503734	Safety valve ASME
41	CAC-1120	Silicone Sleeve
42	SUDL-403-1	Cord assembly - line

F312

F320 (cont'd)



KEY NO.	TORQUE
59	7 to 10 Ft. Lbs.
57	7 to 10 Ft. Lbs.
67	100 to 120 In. Lbs.
69	80 to 100 In. Lbs.
◆	42 to 48 In. Lbs.

F312

F320 (cont'd)

KEY	NO.	PART NUMBER	DESCRIPTION
	43	CAC-4220-2	Pressure switch
	45	CAC-1085	Pressure relief tube (warm tube before installing on #50)
	46	SSP-7811	Nut sleeve assembly (1/4")
	48	SSP-9013	Tube insert
	50	SSP-6088	Barbed fitting
	51	CAC-4215-1	Cord assembly - motor
	52	SSW-7367	Strain relief (2 used)
	53	KK-4315	Pressure release valve and mounting nut (included with #43)
	54	SSF-981	Screw 1/4" AB x 3/4" long (2 used)
+	55	DAC-143	Air Filter
+	56	-----	Intake muffler
	57	SSF-990	Screw 1/4"-20 x 1 1/4" (2 used)
	58	ACG-26	Head
	59	SSF-6640	Stud 1/4"-20 x 1 1/4" (2 used)
*	60	ACG-45	O-ring
	61	Z-ACG-402	Valve plate assembly (includes valves, restrictors & screws)
*	62	SSG-8156	O-ring
*	63	---	Connecting rod assembly
*	64	---	Cylinder sleeve (position locating mark toward motor)
	65	MO-3018-4	Motor 2 HP
	66	Z-CAC-4086	Eccentric Flywheel Bearing Assy.
	67	SSF-3153	Screw
X	68	-----	Squirrel Cage Fan
X	69	-----	Screw #10-24 x 3/8" long
	71	CAC-1415	Terminal box cover
	72	SUDL-9-1	Ground screw
+	74	-----	Muffler screen
X	75	-----	Washer

NOT ILLUSTRATED

H-7038	Air Hose 1/4" ID x 15'
H-7040-1	Air Hose 1/4" ID x 25'
SSH-20	Air Chuck
MG2-OFTANK-4A	General Manual
MP2-F312-1	Parts

+ Keys 55, 56, & 74 can be purchased in KK-4977 Service Kit.

* Keys 63 & 64 can only be purchased as part of KK-4835 Connecting Rod Kit.

X Keys 68, 69 and 75 can be purchased in KK-5018 Fan Kit.