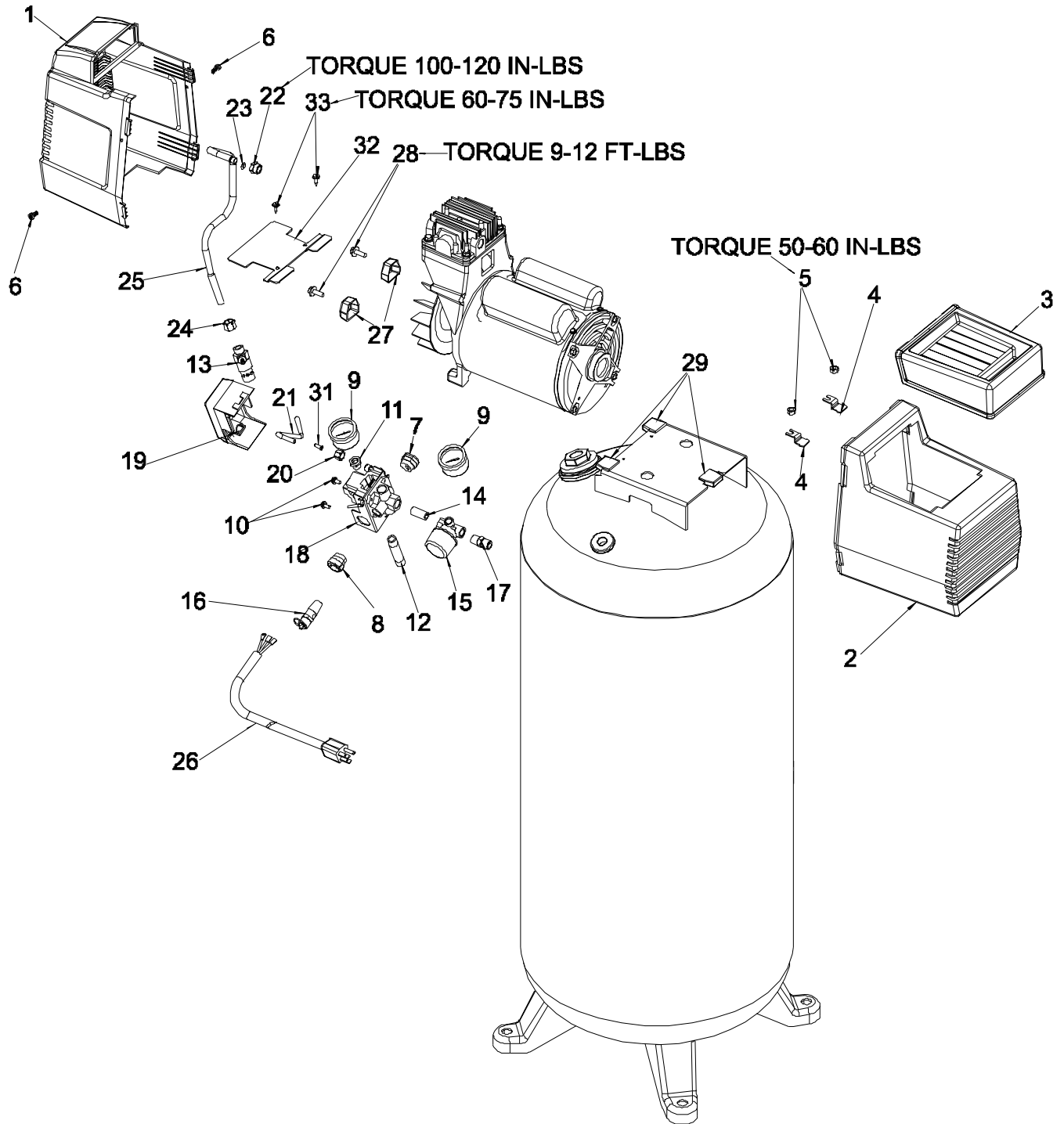


F5030V



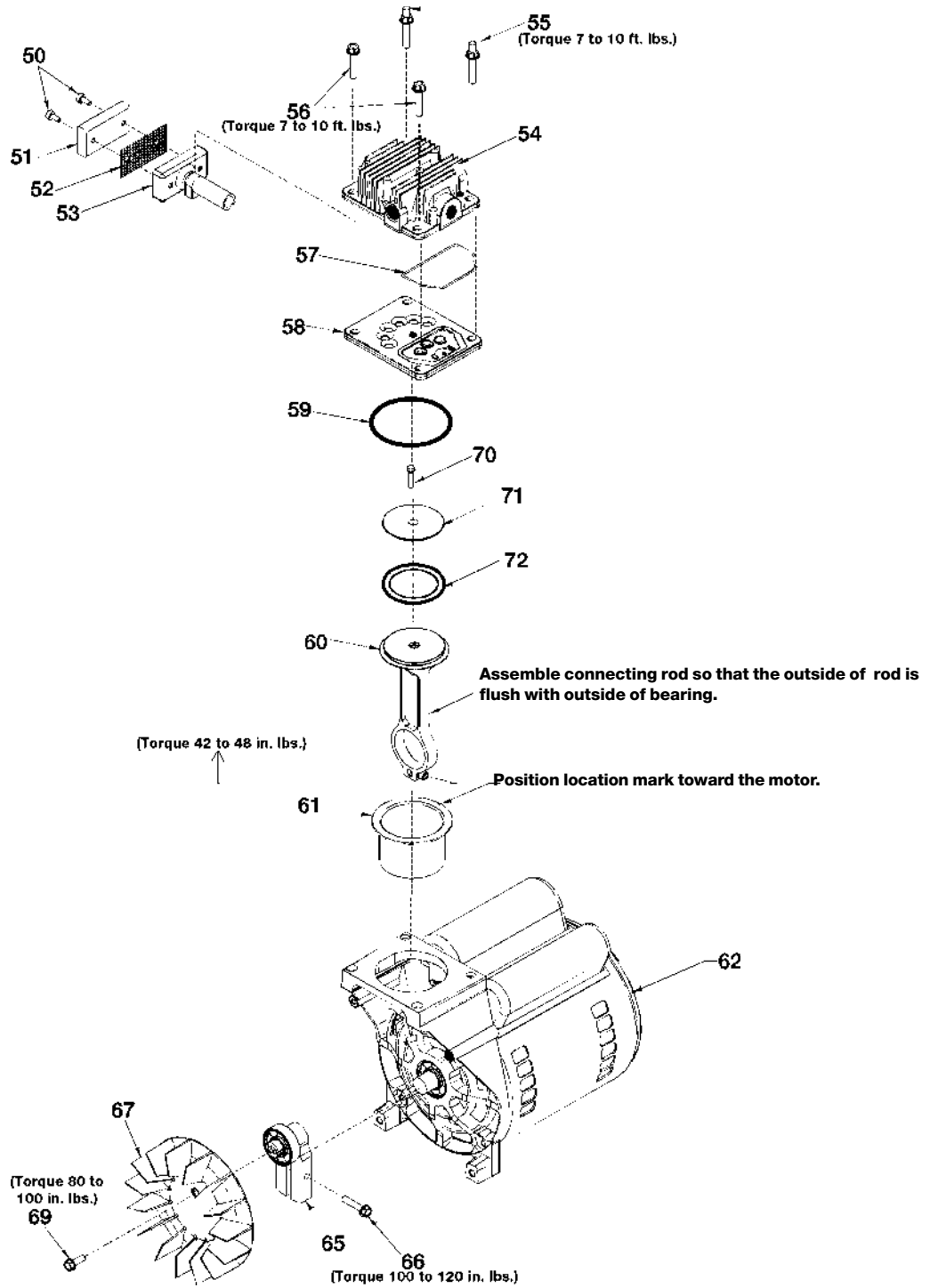
F5030V (cont'd)

<u>KEY NO.</u>	<u>PART NUMBER</u>	<u>DESCRIPTION</u>
1	AC-0400	FRONT SHROUD (BLACK)
	AC-0401	FRONT SHROUD (GRAY)
2	AC-0046	REAR SHROUD (BLACK)
	AC-0049	REAR SHROUD (GRAY)
3	CAC-1080	TOOL TRAY
4	CAC-1121	SHROUD BRACKET (2 USED)
5	SS-655-ZN	NUT 1/4 x 20 (2 USED)
6	SSF-3156	SCREW 10-9 x .50 (2 USED)
7	SSW-7367	STRAIN RELIEF BUSHING
8	SSW-7385	STRAIN RELIEF BUSHING
9	GA-369	GAUGE (2 USED)
10	SSF-1001-1	SCREW 10-32 (2 USED)
11	SSP-6021	REDUCER BUSHING 1/8"-1/4" NPSM
12	SSP-480	NIPPLE 1/4" x 2.5"
13	AC-0325-1	CHECK VALVE W/ BARB FITTING
14	SS-1286	NIPPLE 1/4"-18 NPT
15	CAC-4296-1	REGULATOR
16	TIA-4150	SAFETY VALVE
17	H-2099	ADAPTOR 1/4" NPT x 1/4" NPSM
18	AC-0389	PRESSURE SWITCH ASSEMBLY
19	----	(ORDER KEY # 18)
20	SSP-7811	NUT/SLEEVE ASSEMBLY
21	CAC-1085	PRESSURE RELIEF TUBE
22	SSP-7821-1	COMPRESSION NUT
23	SSG-3105	O-RING
24	SSP-7813	NUT/SLEEVE ASSEMBLY
25	AC-0463	OUTLET TUBE
26	SUDL-413-2	CORD ASSEMBLY
27	ACG-18	SADDLE MOUNT CUP (2 USED)
28	91895680	SCREW 1/4"-20 x .75 (2 USED)
29	ACG-19	ISOLATOR (3 USED)
31	SSP-9013	BRASS TUBING INSERT
32	AC-0397	FAN GUARD
33	SSF-953-ZN	SCREW 10 x 5/8 (2 USED)

NOT ILLUSTRATED

SS-2707	DRAIN VALVE
KK-4315	PRESSURE RELIEF VALVE KIT

F5030V (cont'd)



F5030V (cont'd)

KEY	NO.	PART NUMBER	DESCRIPTION
	+ 50	---	Air filter fastener (2 used)
	+ 51	DAC-143	Air filter
	+ 52	---	Muffler screen
	+ 53	---	Intake muffler
	54	AC-0037	Head
	55	SSF-589	Stud 1/4"-20 x 1 1/4"
	56	SSF-927	Screw 1/4-20 x 1 1/4"
*	✓ 57	ACG-45	O-Ring
	58	AC-0032	Valve plate assembly (includes valves, restrictors & screws)
*	✓ 59	SSG-8156	O-ring
*	60	---	Connecting rod assembly
*	✓ 61	---	Cylinder sleeve (position locating mark toward motor)
	62	M0-9045	Motor
	65	AC-0140	Eccentric Flywheel Bearing Assy.
	66	SSF-990	Screw (1/4-20 unc-2A)
	67	AC-0108	Fan
	69	SSF-586	Screw (1/4-20 unc x .75)
*	✓ 70	SSF-3158-1	Screw 10-24 X .75 T25 Torx
*	71	---	Compression Ring Connecting Rod Cap
*	✓ 72	---	Compression Ring

NOT ILLUSTRATED

MG2-OFTANK-4A General Manual
MP2-FB5030VA Parts Manual

- + KK-4981 (also includes Key Nos. 50, 51, 52, 53)
- * KK-4835 piston/cylinder kit (also includes Key Nos. 57, 59, 60, 61, 70, 71, 72)
- ✓ K-0058 cylinder sleeve/compression ring kit (also includes 57, 59, 61, 70, 72)