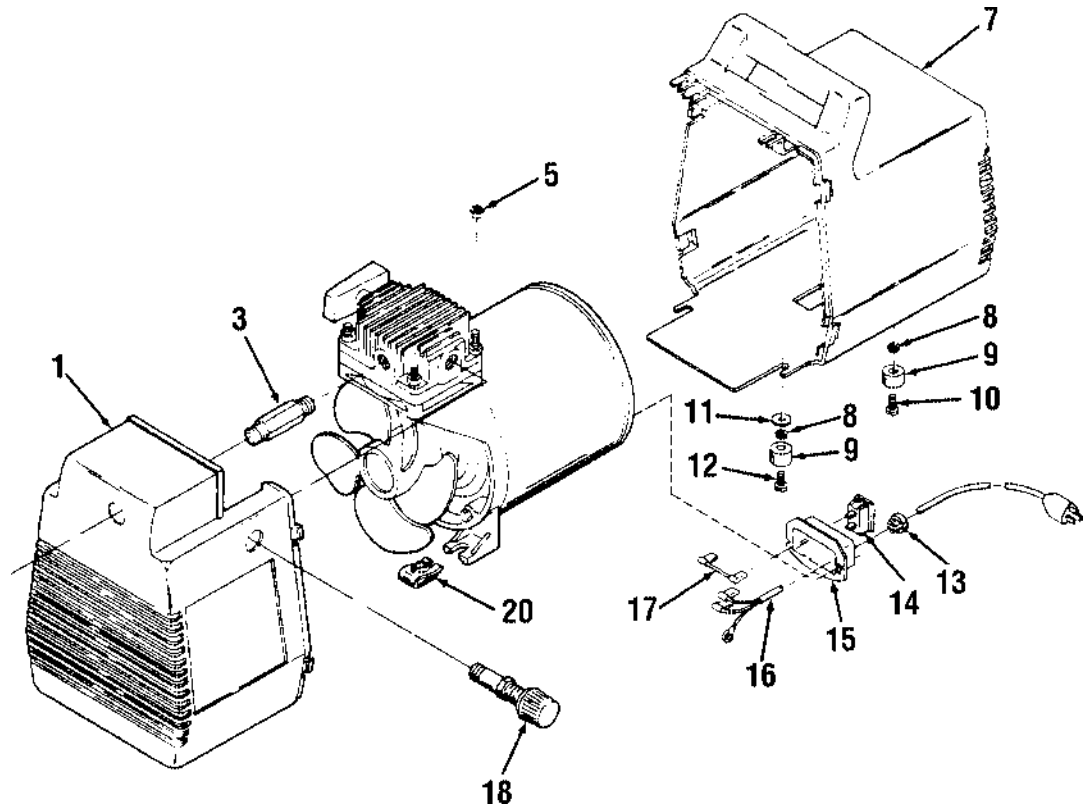


F750



F750 (cont'd)

KEY NO.	PART NUMBER	DESCRIPTION
1	CAC-352-1	Shroud - front
3	H-2102	Adapter
5	SS-655-ZN	Locknut 1/4"-20 (2 used)
7	CAC-4259	Rear Shroud Assembly
8	SSW-7428	Eyelet (3 used)
9	SST-5309	Recess bumper (3 used)
10	SSF-960-ZN	Sheet Metal Screw #8 x 5/8 LG
11	SSN-53	Flat washer (2 used)
12	SSF-983-ZN	Sheet Metal Screw #8 x 1" LG (2 used)
13	SSW-7367	Strain relief
14	SSS-16	Switch
15	CAC-1424	Terminal box cover
16	CAC-4232	Cord assembly
17	CAC-4231	Jumper wire
18	TIA-4378	Adjustable pressure valve
20	SSF-8131	Speed nut (3 used)

F750 (cont'd)

KEY NO.	PART NUMBER	DESCRIPTION
26	DAC-143	Intake Filter
+ 27	-----	Intake muffler
+ 28	-----	Head
30	SSF-3153	Set screw (torque 75-85 in.lbs.)
31	SSF-6637	Shoulder stud 1/4"-20 x 1 1/8" (torque 7-10 ft.lbs. - 2 used)
31A	SSF-927	Screw 1/4"-20 x 1/1/8" (torque 7-10 ft.lbs. - 2 used)
XX 32	CAC-4234	Head Assembly
33	CAC-245-1	Flapper valve intake
34	SSG-9821	Screw #5-40 x 1/4" (3 used)
35	CAC-251-2	Gasket
36	CAC-369	Restrictor
37	CAC-246-3	Flapper valve exhaust
** 38	CAC-4203-1	Valve plate assembly
39	SSG-8133	O-ring
X 40	-----	Connecting rod assembly
X 41	-----	Cylinder sleeve
42	MO-5421-2	Motor 3/4 HP
43	CAC-4201-1	Eccentric assembly
* 44	-----	Fan
45	SSF-3155	Screw #10-24 x 3/8" (torque 30-45 in.lbs.)
46	SS-6505-CD	Washer

NOT ILLUSTRATED

H-5796	Hose assembly (1/4" x 15')
SSH-8	Air chuck
MG1-OFCOMP-2	Operators Manual
MP1-F750-2	Parts Manual

- * Key 44 can only be purchased as part of KK-4465 which includes (1) SSF-3155 (Key 45) and (1) SS-6505-CD (Key 46).
- X Keys 40 & 41 can only be purchased as part of KK-4464 connecting rod kit.
- XX Keys 32 includes 1 of Key 33 and 2 of Key 34.
- ** Key 38 includes 1 ea. of Key 34, 36 & 37.
- + Key 27, 28 can only be purchased as part of KK-4976, which also includes 1 of Key 26.

