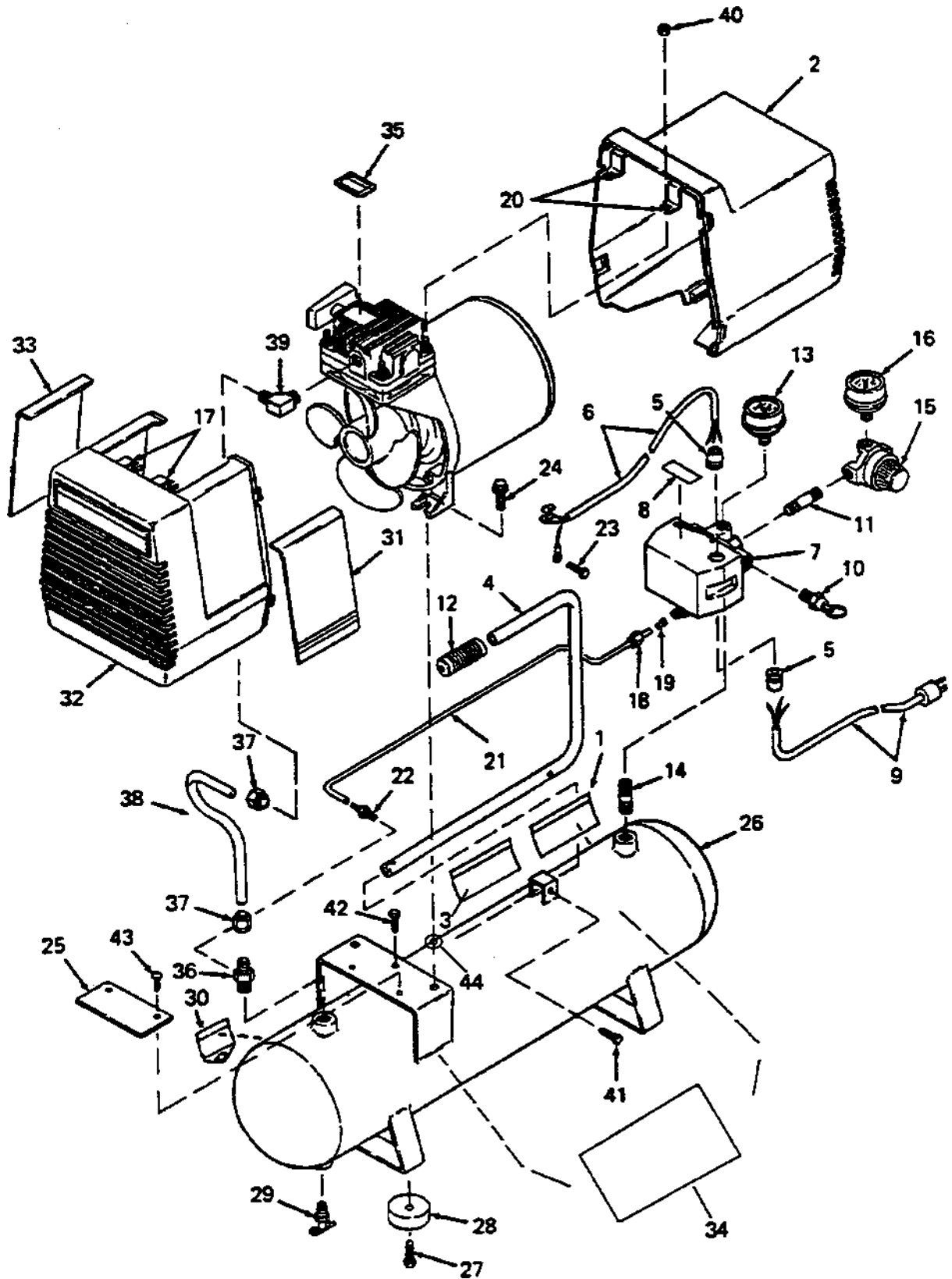


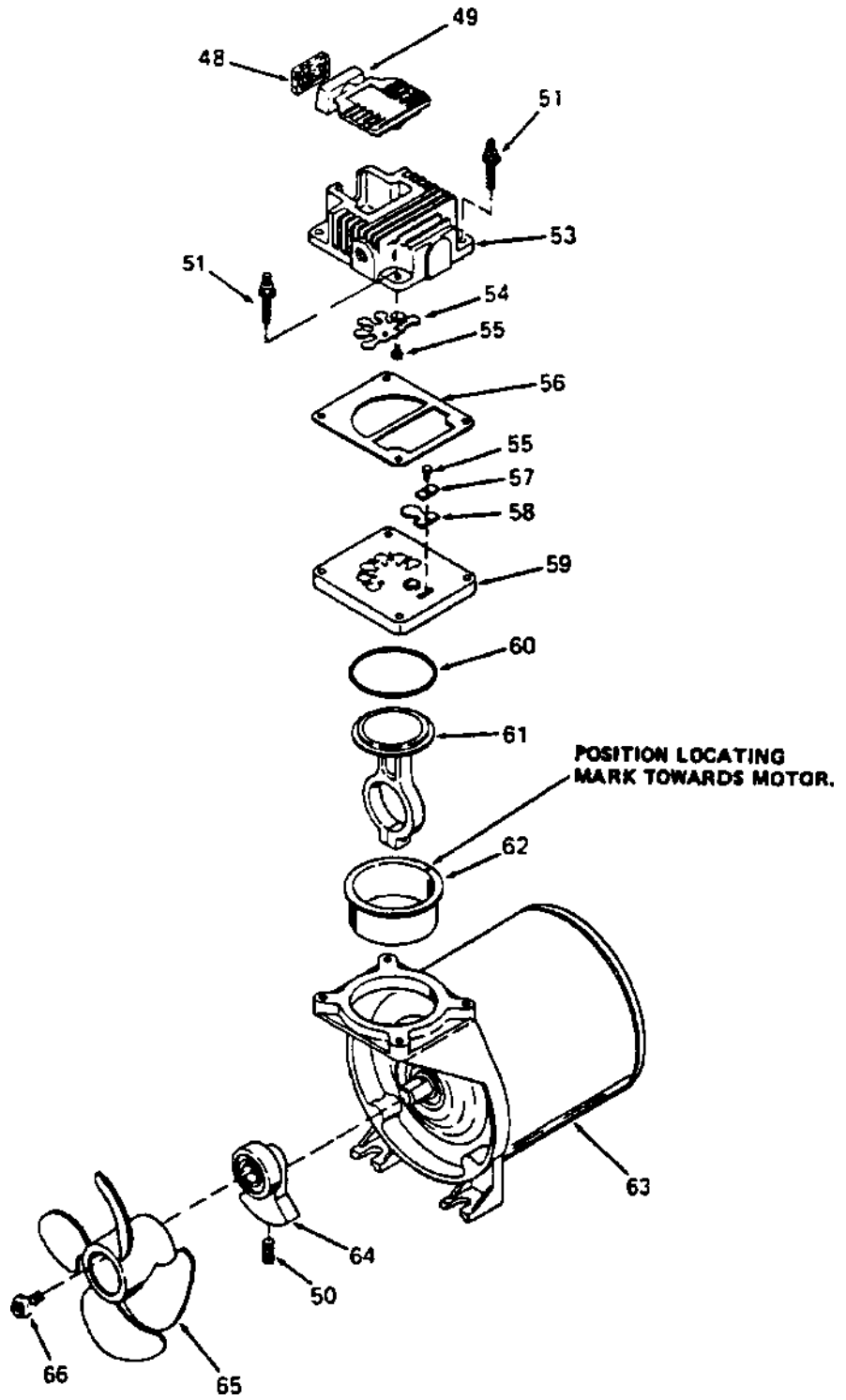
F753



F753 (cont'd)

KEY NO.	PART NUMBER	DESCRIPTION
1	----	----
2	CAC-4260	Rear Shroud Assembly (includes two #4)
3	----	----
4	CAC-1243	Handle
5	SSW-7367	Strain Relief (2 used)
6	CAC-4215-1	Cord Assembly - Motor
7	CAC-4332-1	Manifold/Switch
8	----	----
9	SUDL-403-1	Cord Assembly - line
10	TIA-4150	Safety Valve (150 psig)
11	SS-1286	Nipple (1/4" NPT x 7/8")
12	CAC-1244	Handle Grip
13	C-GA-346	Tank Pressure Gauge, 1/4" NPT
14	SS-2071	Nipple (1/4" NPT x 1 1/2" long)
15	CAC-4296	Regulator
16	C-GA-345	Regulated Pressure Gauge, 1/8" NPT
17	CAC-330-1	Bracket (included in #32 - 2 used)
18	SSP-7811	Nut Sleeve Assy. (for 1/4" O.D. tube)
19	SSP-9013	Tube Insert
20	CAC-351	Rear Shroud Bracket (2 used - included with #2)
21	CAC-1245	Pressure Relief Tube
22	SSP-6088	Barbed Fitting
23	SUDL-9-1	Screw (2 used)
24	SSF-928-K4	Screw (2 used -torque 40-50 in. lbs.)
25	AC-0155	Plate
26	----	----
27	SSF-925	Screw (4 used) (torque snug)
28	SST-5314-1	Rubber Foot (4 used)
29	SS-2707	Drain Valve
30	----	----
31	----	----
32	CAC-331-2	Front Shroud
33	----	----
34	----	----
35	----	----
36	CAC-4290-3	Check Valve
37	SSP-7813	Nut Sleeve Assembly
38	CAC-275	Outlet Tube
39	SSP-6429	Elbow (includes one #37)
40	SS-655-ZN	Locknut
41	SSF-999-1	Screw, 1/4 - 20 x 1 1/2" (1 used)
42	SSF-953-ZN	Screw #10 x 5/8" SMS (1 used)
43	SSN-8001	Ratchet Fastener (2 used)
44	SSW-7462	Spacer

F753 (cont'd)



F753 (cont'd)

KEY		
<u>NO.</u>	<u>PART NUMBER</u>	<u>DESCRIPTION</u>
^ 48	DAC-143	Air Filter
^ 49	----	Intake Muffler Assembly
50	SSF-2043	Set Screw (torque 75-85 in. lbs.)
51	SSF-6637	Stud 1/4"-20 x 1 1/8" (4 used)
52	-----	Not Used
** 53	K-0213-1	Head Assembly
** 54	CAC-245-1	Flapper Valve-Intake
55	SSF-9821	Screw #5-40 x 1/4" (3 used)
56	CAC-251-2	Gasket
57	CAC-369	Restrictor
58	CAC-246-3	Flapper Valve-Exhaust
/ 59	CAC-4203-1	Valve Plate Assembly
60	SSG-8133	O-Ring
* 61	-----	Connecting Rod Assembly (Torque screw 30-45 in. lbs.)
* 62	-----	Cylinder Sleeve (Position locating mark toward motor)
63	MO-5421-2	Motor 3/4 HP
64	CAC-4201-1	Eccentric Assembly (includes bearing)
65	-----	Fan
> 66	SSF-3101	Screw #10-24 x 3/8" long (Torque 30-45 in. lbs.)

NOT ILLUSTRATED

MG2-OFTANK-2 Owners Manual
MP2-F753-1 Parts Manual

- * Keys No. 61 and 62 can only be purchased as part of KK-4863 connecting rod and cylinder kit.
- > Keys No. 65 can only be purchased as part of KK-4465 which includes (1) SSF-3101 (Key 66).
- ** Key 53 includes 1 of Key 54 and 2 of Key 55.
- / Keys No. 59 includes 1 each of Key 55, 57 and 58.
- ^ Keys No. 49 can only be purchased as part of KK-4976, which includes Key #48.