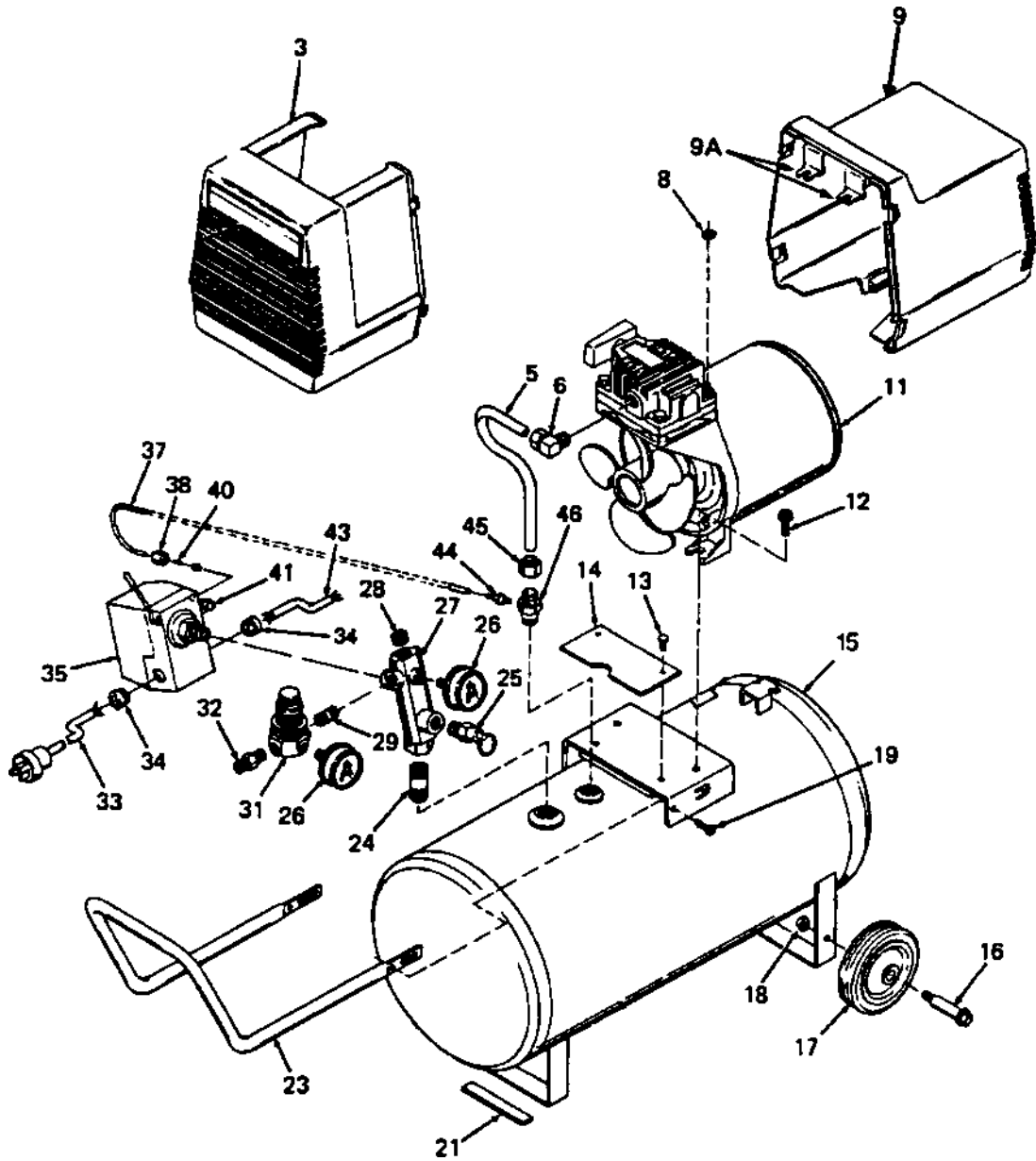


F758-1

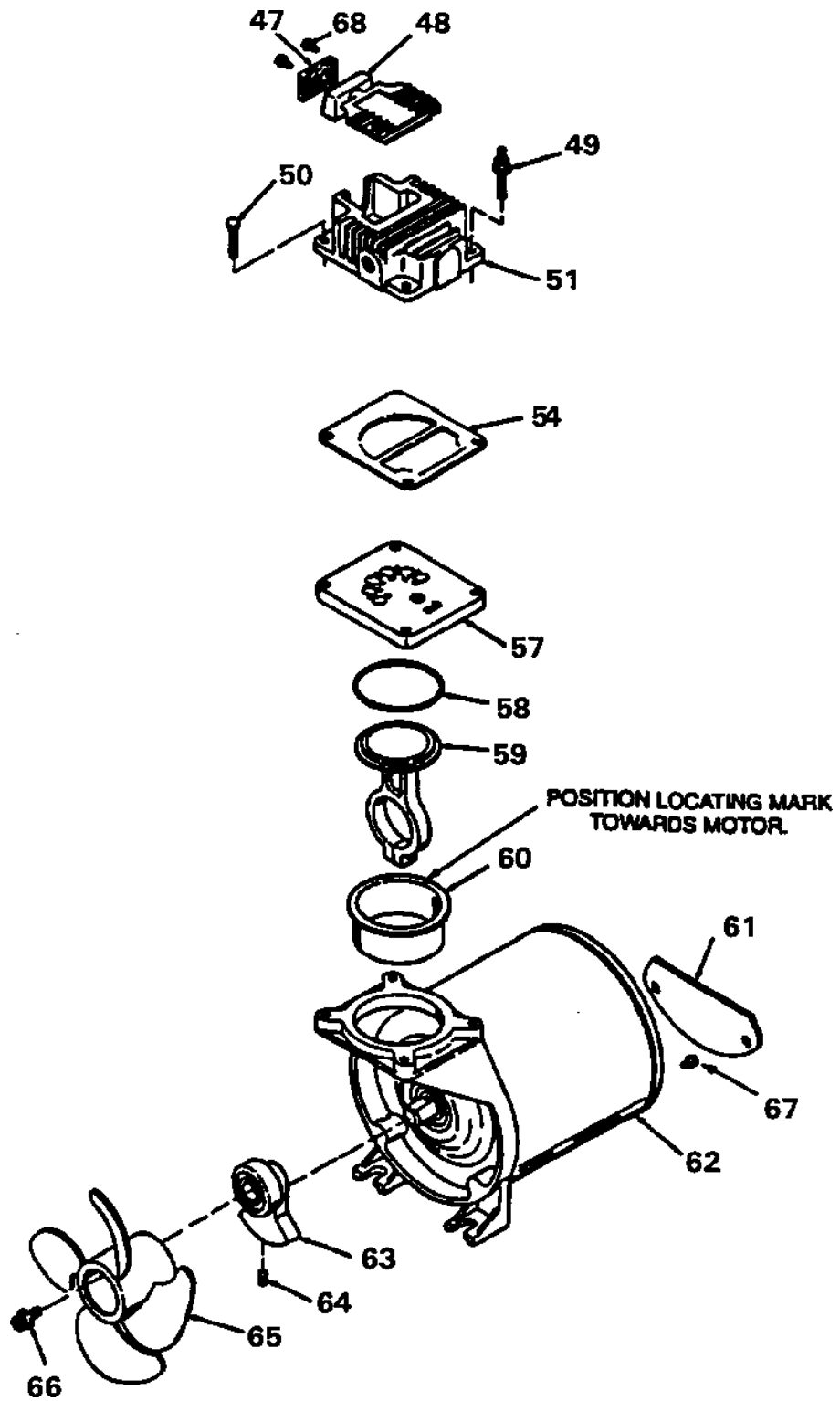


F758-1 (cont'd)

KEY

<u>NO.</u>	<u>PART NUMBER</u>	<u>DESCRIPTION</u>
3	CAC-331-2	Shroud - front
5	CAC-275	Outlet tube
6	SSP-6429	Elbow
8	SS-655-ZN	Hexnut 1/4"-20 (2 used)
9	CAC-4260	Rear Shroud Assembly (includes 2 ea. #9A)
9A	CAC-351	Bracket (2 used)
11	-----	Not available - Compressor/motor assembly
12	SSF-928	Screw 5/16-18 x 7/8" (2 used)
13	SSN-8001	Ratchet Fastener (2 used)
14	AC-0155	Plate
15	-----	Air Tank
16	CAC-60	Shoulder bolt 13/8"-16 x 2 1/4" (2 used)
17	CAC-4299	Wheel (2 used)
18	SSF-8080-ZN	Nut 3/8"-16 (2 used)
19	SSF-981	Screw 1/4" AB x 3/4" LG (4 used)
21	SUDL-6-1	Rubber foot strip
23	CAC-1304-1	Handle
24	SS-2072-1	Nipple 3/8" NPT x 1 1/2" LG.
25	TIA-6125	Safety valve
26	C-GA-345	Pressure Gauge (2 used)
27	CAC-365	Manifold
28	SS-3222-CD	Pipe plug 1/4" NPT
29	SS-2071	Nipple 1/4" NPT x 1 1/2" LG.
31	CAC-4296	Regulator
32	H-2099	Adapter
33	SUDL-403-1	Cord Assembly-line
34	SSW-7367	Strain relief (2 used)
35	CAC-4220-2	Pressure Switch
37	CAC-1085	Pressure Release Tube
38	SSP-7811	Nut Sleeve Assy. (1/4")
40	SSP-9013	Tube Insert
41	KK-4315	Pressure Release Valve & Mounting Nut (included with #35)
43	CAC-4215-1	Cord assembly - motor
44	SSP-6088	Barbed Fitting
45	SSP-7813	Nut sleeve assembly
46	CAC-4290-3	Check valve

F758-1 (cont'd)



F758-1 (cont'd)

KEY

<u>NO.</u>	<u>PART NUMBER</u>	<u>DESCRIPTION</u>
x47	DAC-143	Filter Intake
x48	----	Intake muffler cover
49	SSF-6637	Shoulder stud 1/4"-20, 1 1/8" (2 used - torque to 7-10 ft. lbs.)
50	SSF-927	Screw 1/4"-20 x 1 1/8" (2 used - torque to 7-10 ft. lbs.)
51	K-0213	Head assembly (includes head, key #52 and (2) Key #53)
52	CAC-245-1	Flapper valve-intake
53	SSF-9821	Screw No. 5-40 x 1/4" (3 used)
54	CAC-251-2	Gasket
57	CAC-4203-1	Valve plate assembly
58	SSG-8133	O-ring
* 59	----	Connecting rod assembly (Torque screw to 30-35 in.lbs.)
* 60	----	Cylinder sleeve (position locating mark toward motor)
61	SSW-5394	Terminal Box Cover
62	MO-5421-2	Motor 3/4 HP
63	CAC-4201-1	Eccentric Assembly
64	SSF-2043	Set Screw (torque to 50-60 in.lbs.)
• 65	CAC-255-1	Fan
• 66	SSF-3101	Screw #10-24 x 3/8" (torque to 30-35 in.lbs.)
67	SUDL-9-1	Ground Screw
x68	DAC-144	Filter Fastener (2 required)

NOT ILLUSTRATED

H-5796	Air Hose Assembly (1/4" I.D. x 15')
SSH-8	Air Chuck
SS-2707	Drain Valve (Tank)
MG2-OFTANK-4A	Owners Manual
MP2-F758-2	Parts Manual

* Key No's. 59 and 60 can only be purchased as part of KK-4863 connecting rod kit.

• Key No's. 65 and 66 can be purchased together as KK-4465 fan kit.

xKey No's. 47, 48 and 68 can only be purchased as part of KK-4976 Muffler Kit