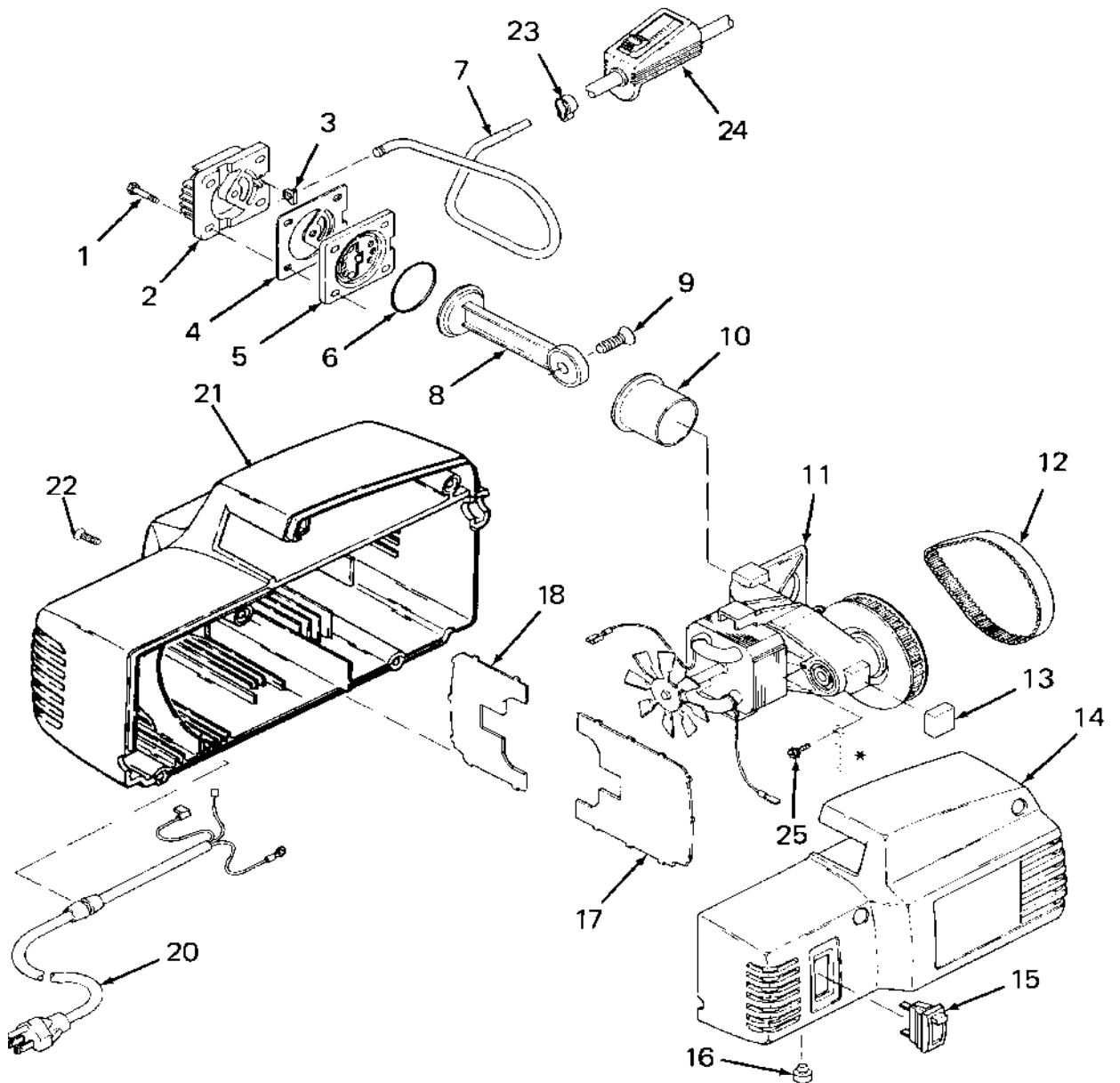


FA100



FA100 (cont'd)

KEY	NO.	PART NUMBER	DESCRIPTION
x	1	-----	Screw #10-24 x 7/8 LG. hex head thd forming (4 used)
*	2	CAC-1196	Cylinder head
*	3	CAC-1212	Tube seal
	4	CAC-1199	Head gasket
	5	CAC-4323	Valve plate assembly
	6	SSG-8169	"O" ring
	7	CAC-1194-1	Outlet tube
●	8	-----	Rod assembly
x	9	-----	Screw 3/8-16 x 1.25 LG. hex socket flat head
●	10	-----	Cylinder sleeve
	11	N/A	Endbell assembly
	12	CAC-1342	Timing belt
*	13	CAC-1213	Pump isolator
	14	AC-0470	Shroud (right)
	15	SSS-16	Switch
*	16	CAC-1211	Housing isolator
+	17	-----	Motor baffle (right)
+	18	-----	Motor baffle (left)
	20	AC-0475	Cord assembly
	21	AC-0471	Shroud (left)
x	22	-----	Screw #10-9 x 1/2 LG. Phillips head thd forming (4 used)
	23	CAC-1206-1	Clamp
	24	CAC-4324	Pressure valve assembly
x	25	-----	Screws, ground #8-32 x 3/8 LG. Slotted hex head, thd forming

NOT ILLUSTRATED

H-2099	Adapter 1/4" x 1/4"
SSH-8	Air Chuck
MGP-FA100	Owners Manual

- * KK-4930 Isolator Kit includes items 3, 4, 6, 13, 16.
- x KK-4929 Fastener Kit includes items 1, 9, 22, 25.
- + KK-4980 Baffle Kit includes items, 17, 18.
- KK-4964 Connecting Rod Kit includes items 8, 10.