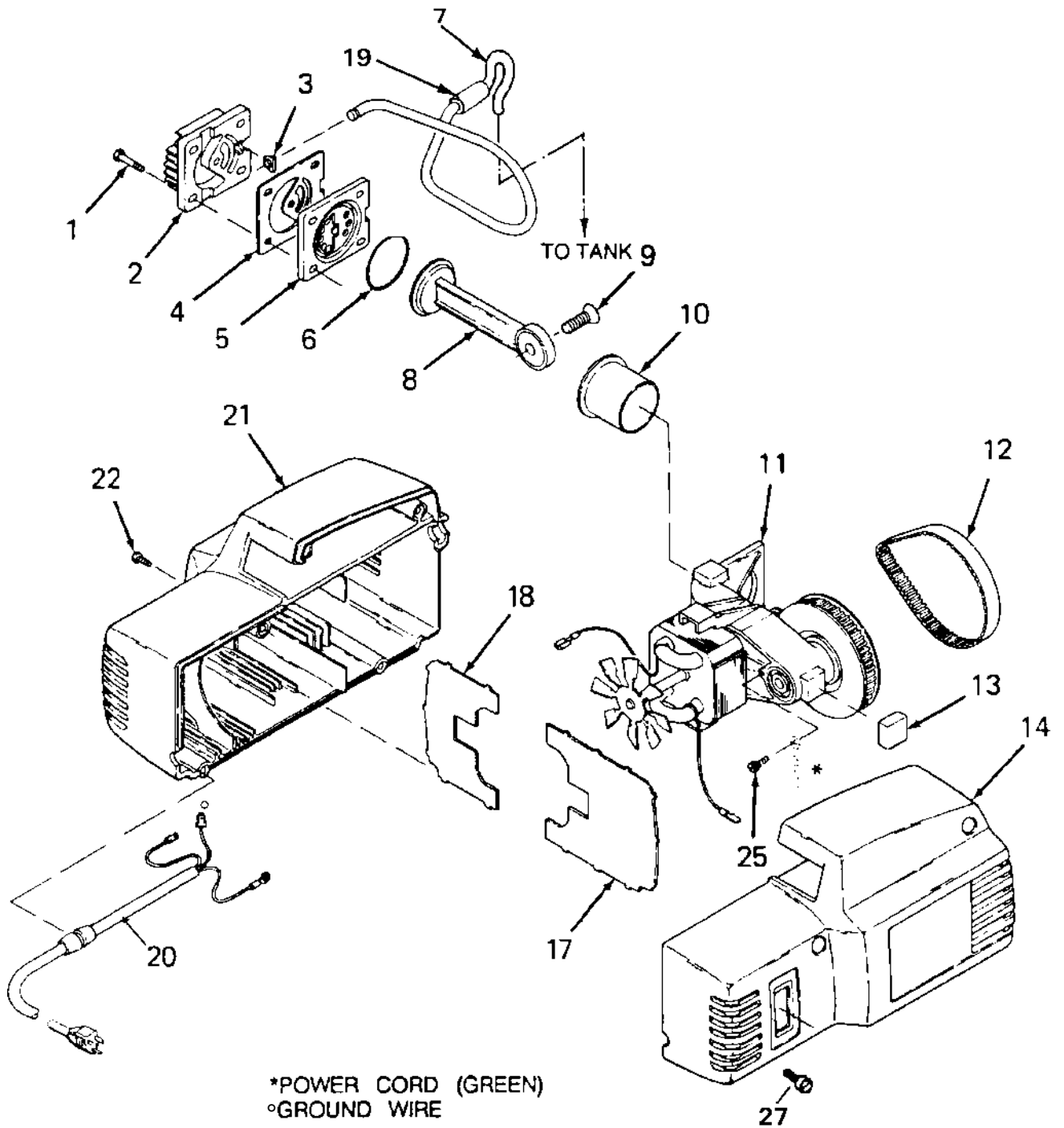


# FA125-2



# FA125-2 (cont'd)

<b>KEY NO.</b>	<b>PART NUMBER</b>	<b>DESCRIPTION</b>
x 1	SSF-995	Screw #10-24 x 7/8 LG. hex head thd forming (4 used)
2	CAC-1196	Cylinder head
* 3	CAC-1212	Tube seal
* 4	CAC-1199	Head gasket
5	CAC-4323	Valve plate assembly
* 6	SSG-8169	"O" ring
7	DAC-269	Outlet tube
● 8	-----	Rod assembly
x 9	SSF-3147	Screw 3/8-16 x 1.25 LG. hex socket flat head
● 10	-----	Cylinder sleeve
11	N/A	Endbell assembly
12	CAC-1342	Timing belt
* 13	CAC-1213	Pump isolator
14	AC-0183	Shroud (right)
---	-----	-----
* 16	CAC-1254	Housing isolator
+ 17	CAC-1202	Motor baffle (right)
+ 18	CAC-1203	Motor baffle (left)
19	CAC-1285	Isolator (tube)
20	SUDL-403-1	Cord assembly
21	AC-0184	Shroud (left)
x 22	SSF-3156	Screw #10-9 x 1/2 LG. Phillips head thd forming (4 used)
23	CAC-1206-1	Clamp (Not Shown - Goes around Key # 19)
24	-----	-----
x 25	SUDL-9-1	Screws, ground #8-32 x 3/8 LG. Slotted hex head, thd forming
27	SSF-621	Screw, 1/4 - 14 x.625

## **NOT ILLUSTRATED**

MGP-FA125-2      Owners Manual

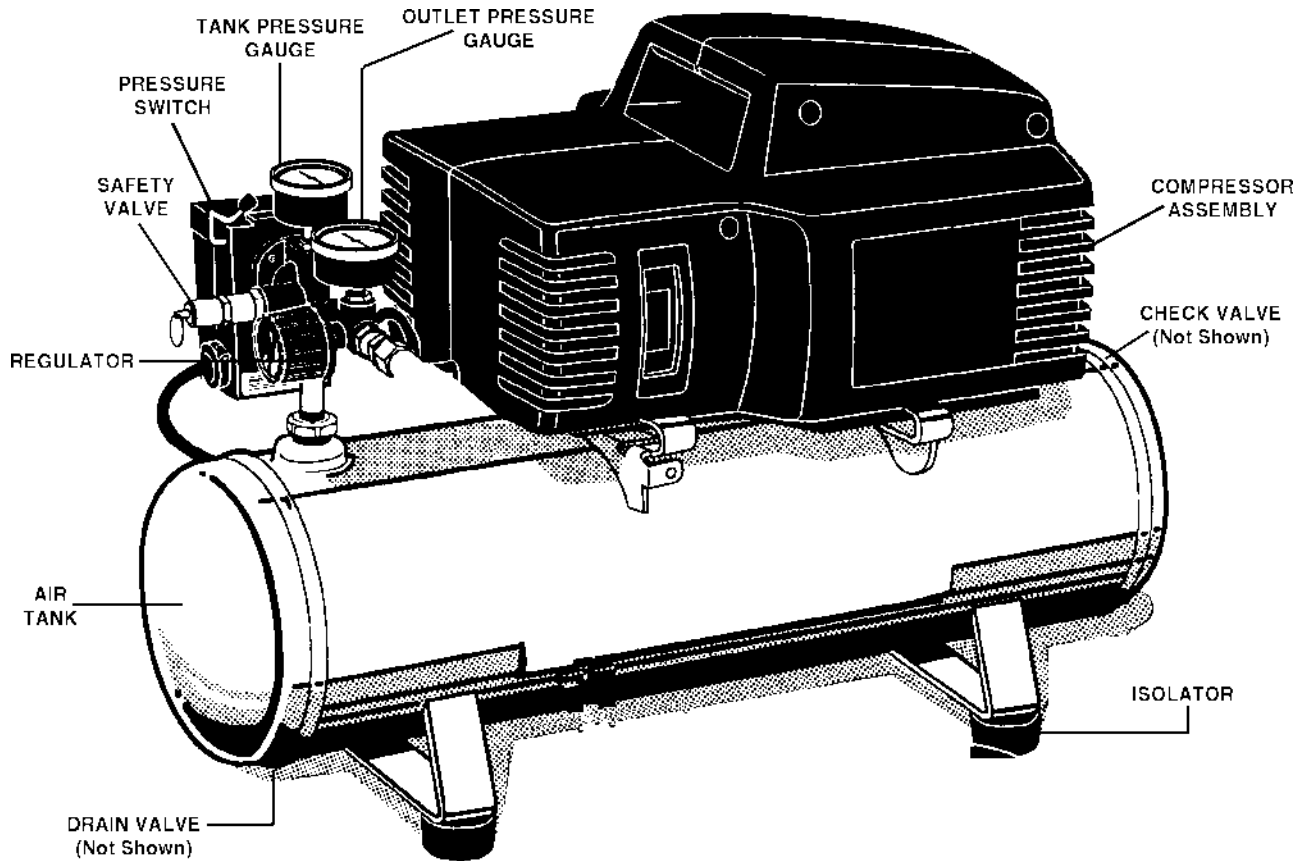
\* KK-4949 Isolator Kit includes items 3, 4, 6, 13, 16, 27

x KK-4929 Fastener Kit includes items 1, 9, 22, 25.

+ KK-4980 Baffle Kit includes items, 17, 18.

● KK-4964 Connecting Rod Kit includes items 8, 10.

# FA125-2 (cont'd)



## PARTS AVAILABLE FOR THIS UNIT

<b>DESCRIPTION</b>	<b>PART NUMBER</b>
REGULATOR .....	CAC-4296-1
TANK PRESSURE GAUGE .....	GA-369
OUTLET PRESSURE GAUGE .....	GA-369
SAFETY VALVE .....	TIA-4150
DRAIN VALVE .....	SS-2707
CHECK VALVE .....	CAC-1275
MANIFOLD/PRESSURE SWITCH ASSEMBLY ...	DAC-4105-2 (100 to 125 PSI)
ISOLATOR .....	SST-5314-1 (4 used)