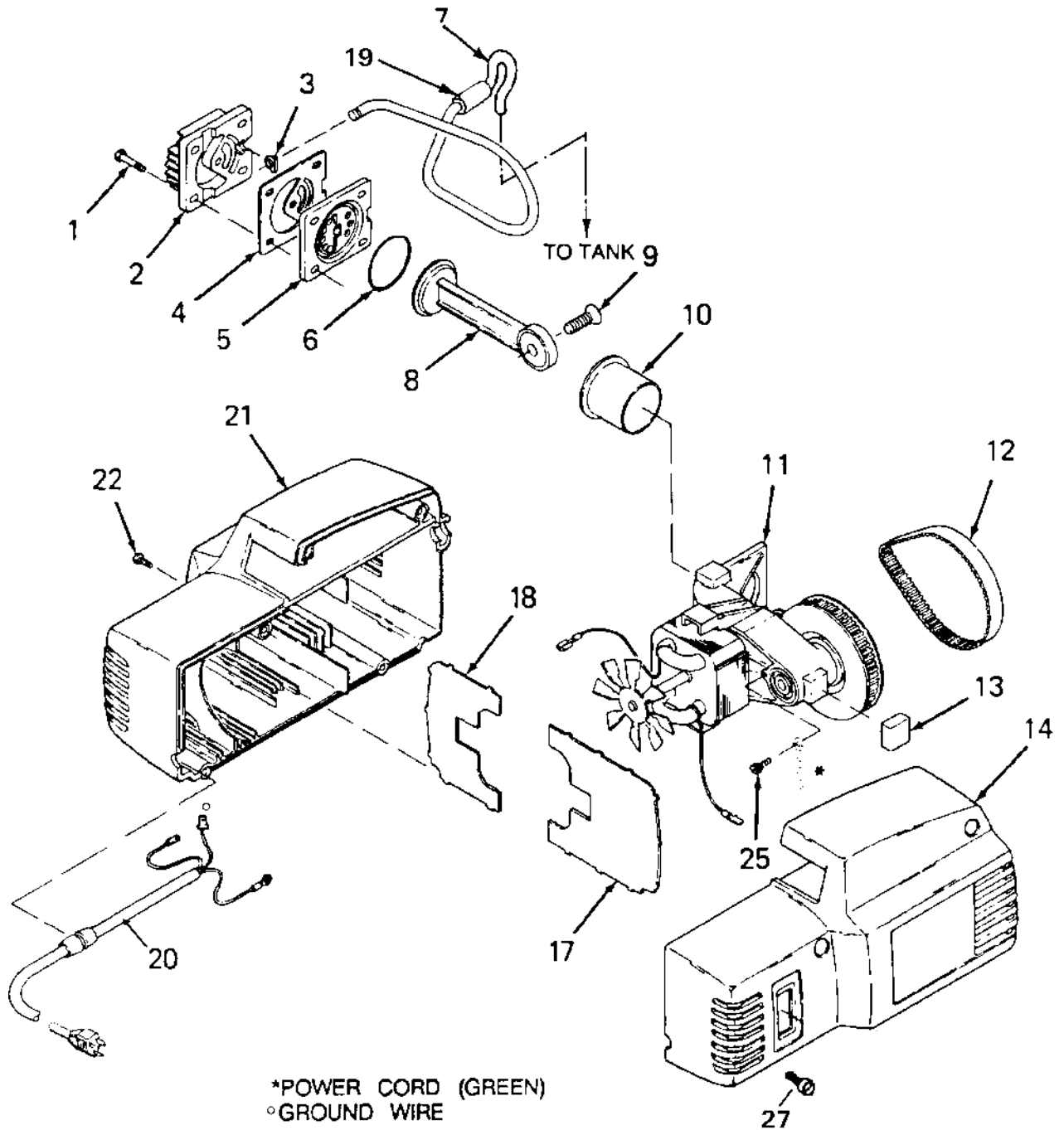


FA153-2 FAC153



FA153-2

FAC153 (cont'd)

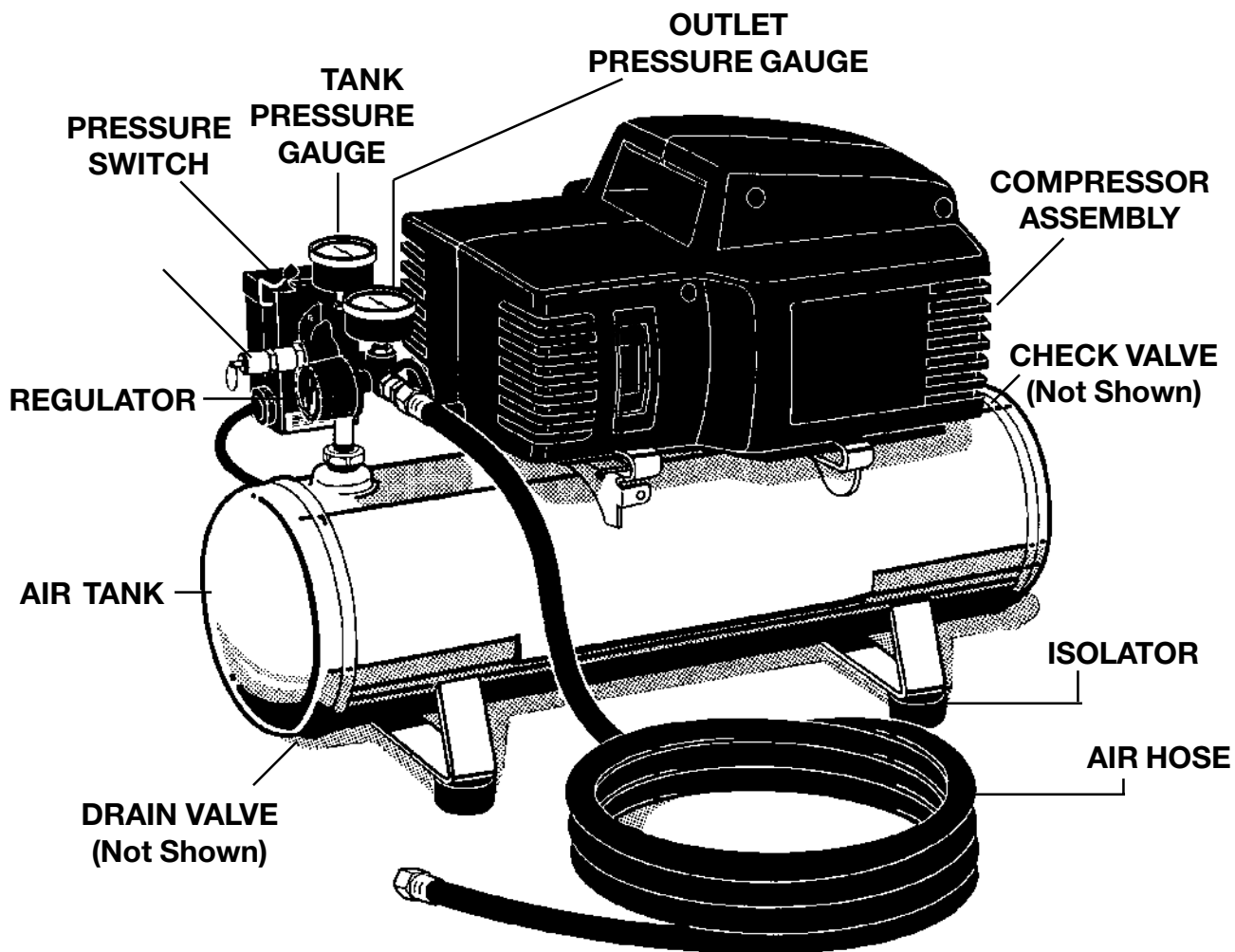
| KEY | NO. | PART NUMBER | DESCRIPTION |
|------------|------------|--------------------|--|
| x | 1 | SSF-995 | Screw #10-24 x 7/8 LG. hex head thd forming (4 used) |
| | 2 | CAC-1196 | Cylinder head |
| * | 3 | CAC-1212 | Tube seal |
| * | 4 | CAC-1199 | Head gasket |
| | 5 | CAC-4323 | Valve plate assembly |
| * | 6 | SSG-8169 | "O" ring |
| | 7 | DAC-269 | Outlet tube |
| ● | 8 | ----- | Rod assembly |
| x | 9 | SSF-3147 | Screw 3/8-16 x 1.25 LG. hex socket flat head |
| ● | 10 | ----- | Cylinder sleeve |
| | 11 | N/A | Endbell assembly |
| | 12 | CAC-1342 | Timing belt |
| * | 13 | CAC-1213 | Pump isolator |
| | 14 | CAC-1191-1 | Shroud (right) |
| | --- | ----- | ----- |
| * | 16 | CAC-1254 | Housing isolator |
| + | 17 | CAC-1202 | Motor baffle (right) |
| + | 18 | CAC-1203 | Motor baffle (left) |
| | 19 | AC-0206 | Isolator (tube) |
| | 20 | DAC-4091 | Cord assembly |
| | 21 | AC-0184 | Shroud (left) |
| x | 22 | SSF-3156 | Screw #10-9 x 1/2 LG. Phillips head thd forming (4 used) |
| | 23 | CAC-1206-1 | Clamp |
| | 24 | ----- | ----- |
| x | 25 | SUDL-9-1 | Screws, ground #8-32 x 3/8 LG. Slotted hex head, thd forming |
| | 26 | ----- | ----- |
| | 27 | SSF-3151 | Screw (tank retention) |

NOT ILLUSTRATED

MGP-DFAC153 Owners Manual

- * KK-4949 Isolator Kit includes items 3, 4, 6, 13, 16, 27
- x KK-4929 Fastener Kit includes items 1, 9, 22, 25.
- + KK-4980 Baffle Kit includes items, 17, 18.
- KK-4964 Connecting Rod Kit includes items 8, 10.

FA153-2 FAC153 (cont'd)



PARTS AVAILABLE FOR THIS UNIT

| <u>DESCRIPTION</u> | <u>PART NUMBER</u> |
|--------------------------------------|-----------------------------|
| REGULATOR | CAC-4296-1 |
| TANK PRESSURE GAUGE | GA-369 |
| OUTLET PRESSURE GAUGE | GA-369 |
| SAFETY VALVE | TIA-4150 |
| DRAIN VALVE | SS-2707 |
| CHECK VALVE | CAC-1275 |
| MANIFOLD/PRESSURE SWITCH ASSEMBLY .. | DAC-4105-2 (100 to 125 PSI) |
| ISOLATOR | SST-5314-1 (4 used) |
| AIR HOSE | H-7048 |