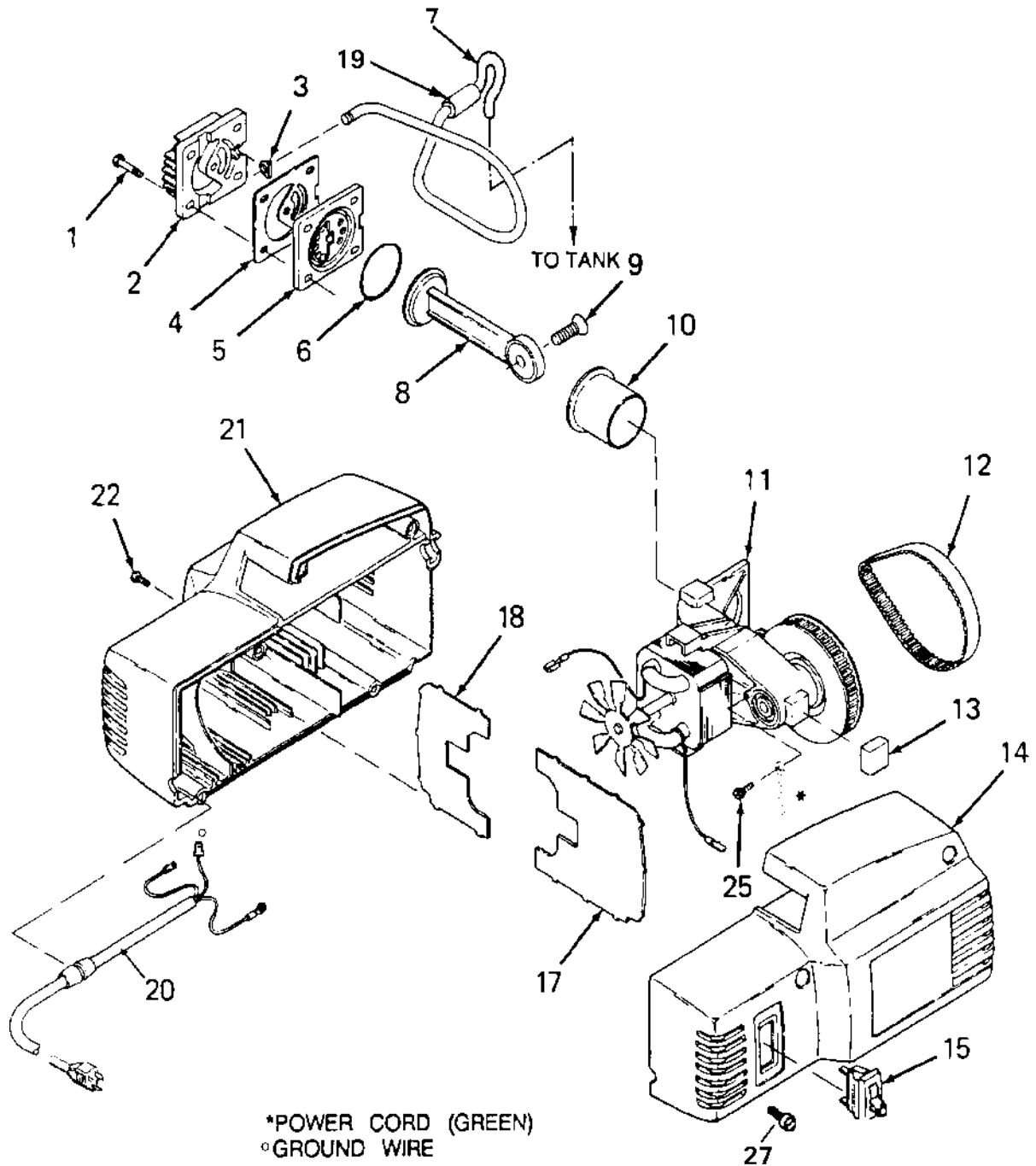


# FA752-2 FAC752-2



# FA752-2

## FAC752-2 (cont'd)

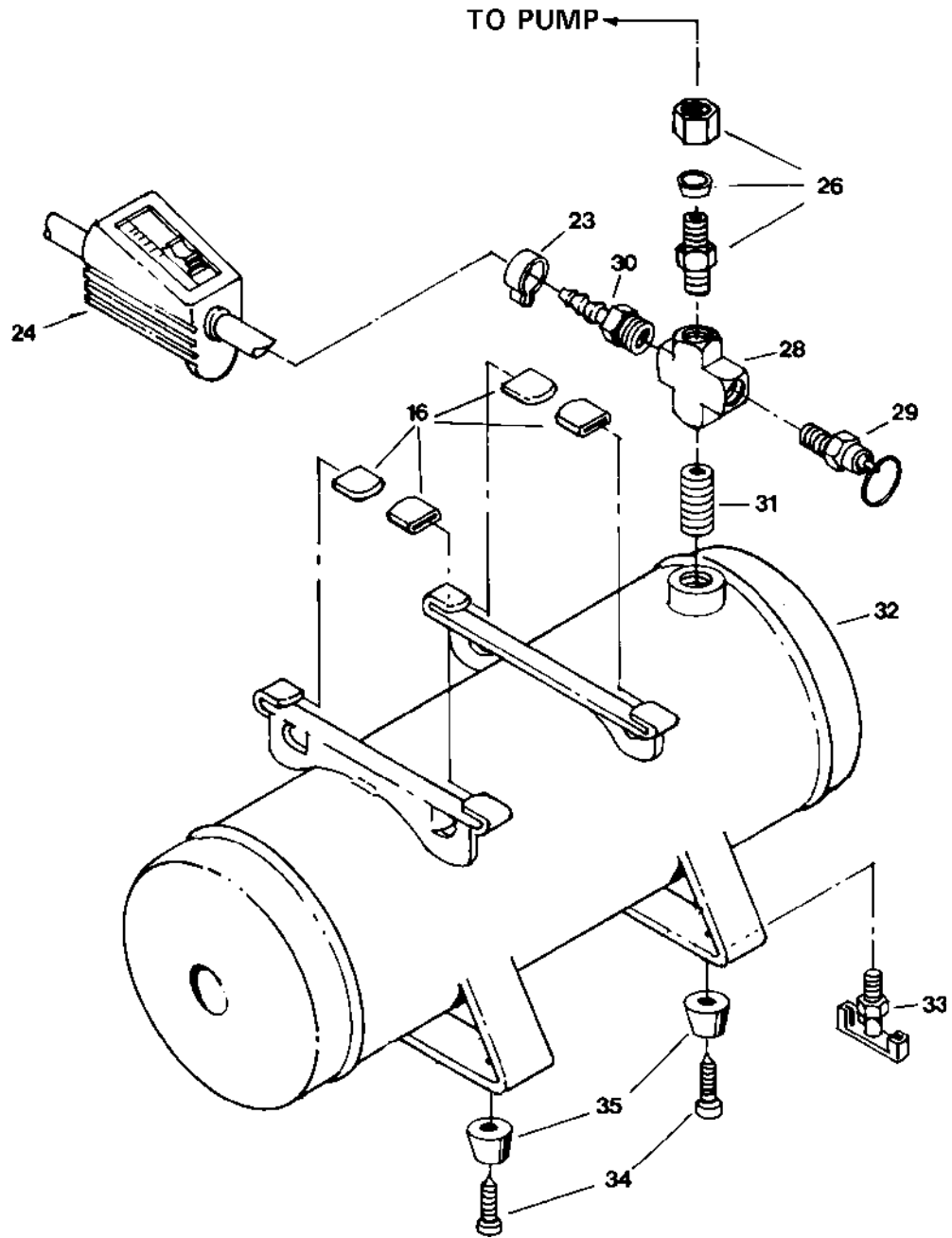
<b>KEY NO.</b>	<b><u>PART NUMBER</u></b>	<b><u>DESCRIPTION</u></b>
<b>X</b> 1	SSF-995	Screw #10-24 x 7/8 LG. hex head thd forming (4 used)
2	CAC-1196	Cylinder head
* 3	CAC-1212	Tube seal
* 4	CAC-1199	Head gasket
5	CAC-4323	Valve plate assembly
* 6	SSG-8169	"O" ring
7	CAC-1289	Outlet tube
● 8	-----	Rod assembly
9	SSF-3147	Screw 3/8-16 x 1.25 LG. hex socket flat head
● 10	-----	Cylinder sleeve
11	N/A	Endbell assembly
12	CAC-1342	Timing belt
* 13	CAC-1213	Pump isolator
14	AC-0470	Shroud (right)
15	SSS-16	Switch
* 16	CAC-1254	Housing isolator
+ 17	-----	Motor baffle (right)
+ 18	-----	Motor baffle (left)
19	AC-0206	Isolator (tube)
20	CAC-4074	Cord assembly
21	AC-0471	Shroud (left)
<b>X</b> 22	SSF-3156	Screw #10-9 x 1/2 LG. Phillips head thd forming (4 used)
23	CAC-1206	Clamp
24	CAC-4324	Pressure valve assembly
<b>X</b> 25	SUDL-9-1	Screws, ground #8-32 x 3/8 LG. Slotted hex head, thd forming

### **NOT ILLUSTRATED**

MGP-FA752-2      Owners Manual (FA752-3)

- \* KK-4930 Isolator Kit includes items 3, 4, 6, 13, 16.
- X KK-4929 Fastener Kit includes items 1, 9, 22, 25.
- + KK-4980 Baffle Kit includes items, 17, 18.
- KK-4964 Connecting Rod Kit includes items 8, 10.

# FA752-2 FAC752-2 (cont'd)



# FA752-2

## FAC752-2 (cont'd)

<b>KEY</b>		
<b><u>NO.</u></b>	<b><u>PART NUMBER</u></b>	<b><u>DESCRIPTION</u></b>
26	SSP-6102	Male Connector
* 27	SSF-3151	Screw (tank retention) (as required)
28	SSP-3305-NI	Pipe Cross
29	TIA-4150	Safety Valve
30	H-2105	Hose Connection
31	SS-1286	Nipple
33	SS-2707	Drain Cock
* 34	SSF-925	Screw, self tapping (4 used)
* 35	SST-5314-1	Recess Bumper (4 used)

\* KK-4949 Isolator Kit includes items 3, 4, 6, 13, 16, 34, 35, 27