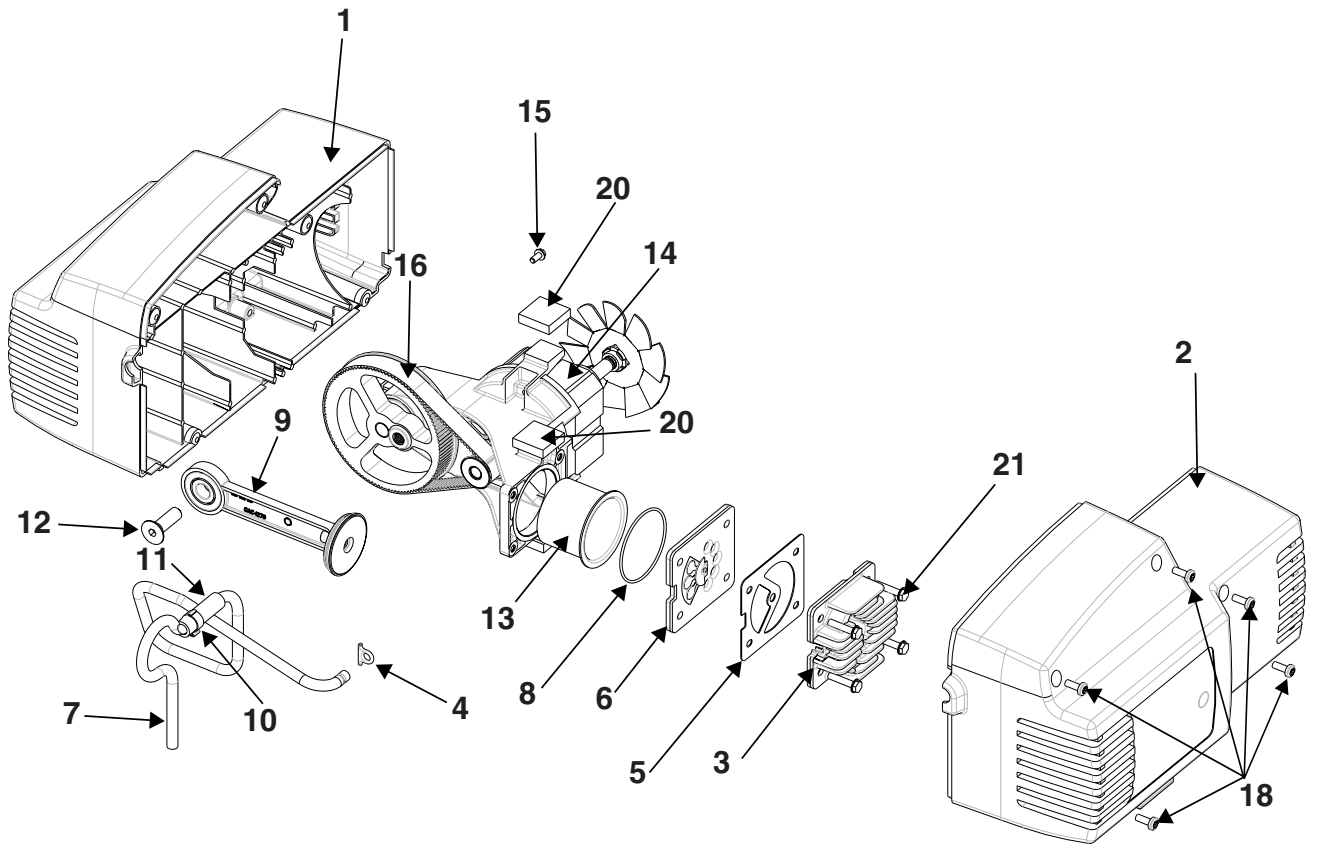


# FA752-3 FAC752-3



# FA752-3

## FAC752-3 (cont'd)

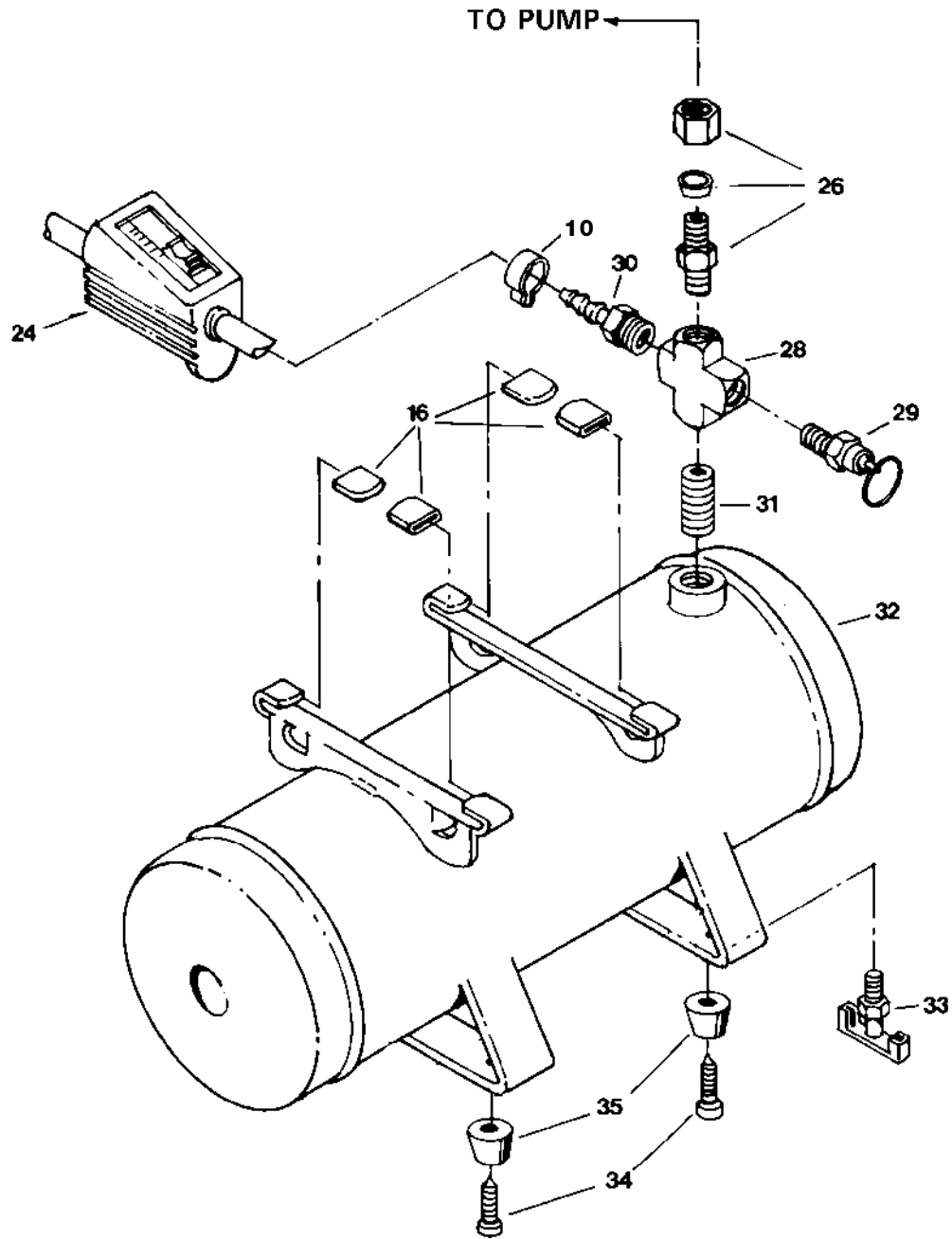
<b>Key No.</b>	<b>Part Number</b>	<b>Description</b>
1	AC-0456	Shroud, Left
2	AC-0455	Shroud, Right
3	CAC-1196	Cylinder Head
* 4	CAC-1212	Tube Seal
* 5	CAC-1199	Gasket Head
6	CAC-4323	Valve Plate Assembly
7	CAC-1289	Outlet Tube
* 8	SSG-8169	O-ring
+ 9	-----	Rod Assembly
10	CAC-1206-1	Clamp
11	AC-0206	Tube Isolator
x12	SSF-3147	Screw, 3/8-16 socket head
+13	-----	Cylinder Sleeve
14	-----	Endbell Assembly
x15	SUDL-9-1	Screw, 8-32x .375/.344
16	CAC-1342	Timing Belt
18	SSF-3156	Screw, 10-9x.50Plastite
19	AC-0475	Motor Cord
*20	CAC-1213	Pump Isolator (5 used)
x21	SSF-995	Screw #10-24 x 7/8 (4 used)

**NOT ILLUSTRATED**

MGP-FA752-4      Owners Manual (FA752-3)  
MGP-FAC752-3      Owners Manual (FAC752-3)

- \*      KK-4930 – Isolator Kit includes 4,5,8,20
- +      KK-4964 – Connecting Rod Kit includes 9,13
- x      KK-4929 – Fastener Kit includes 12,15,21

# FA752-3 FAC752-3 (cont'd)



# FA752-3

## FAC752-3 (cont'd)

<b>KEY</b>		
<b><u>NO.</u></b>	<b><u>PART NUMBER</u></b>	<b><u>DESCRIPTION</u></b>
24	CAC-4324	Pressure Valve Assembly
26	SSP-6102	Male Connector
* 27	SSF-3151	Screw (tank retention) (as required)
28	SSP-3305-NI	Pipe Cross
29	TIA-4150	Safety Valve
30	H-2105	Hose Connection
31	SS-1286	Nipple
33	SS-2707	Drain Cock
* 34	SSF-925	Screw, self tapping (4 used)
* 35	SST-5314-1	Recess Bumper (4 used)

\* KK-4949 Isolator Kit includes items 3, 4, 6, 13, 16, 34, 35, 27