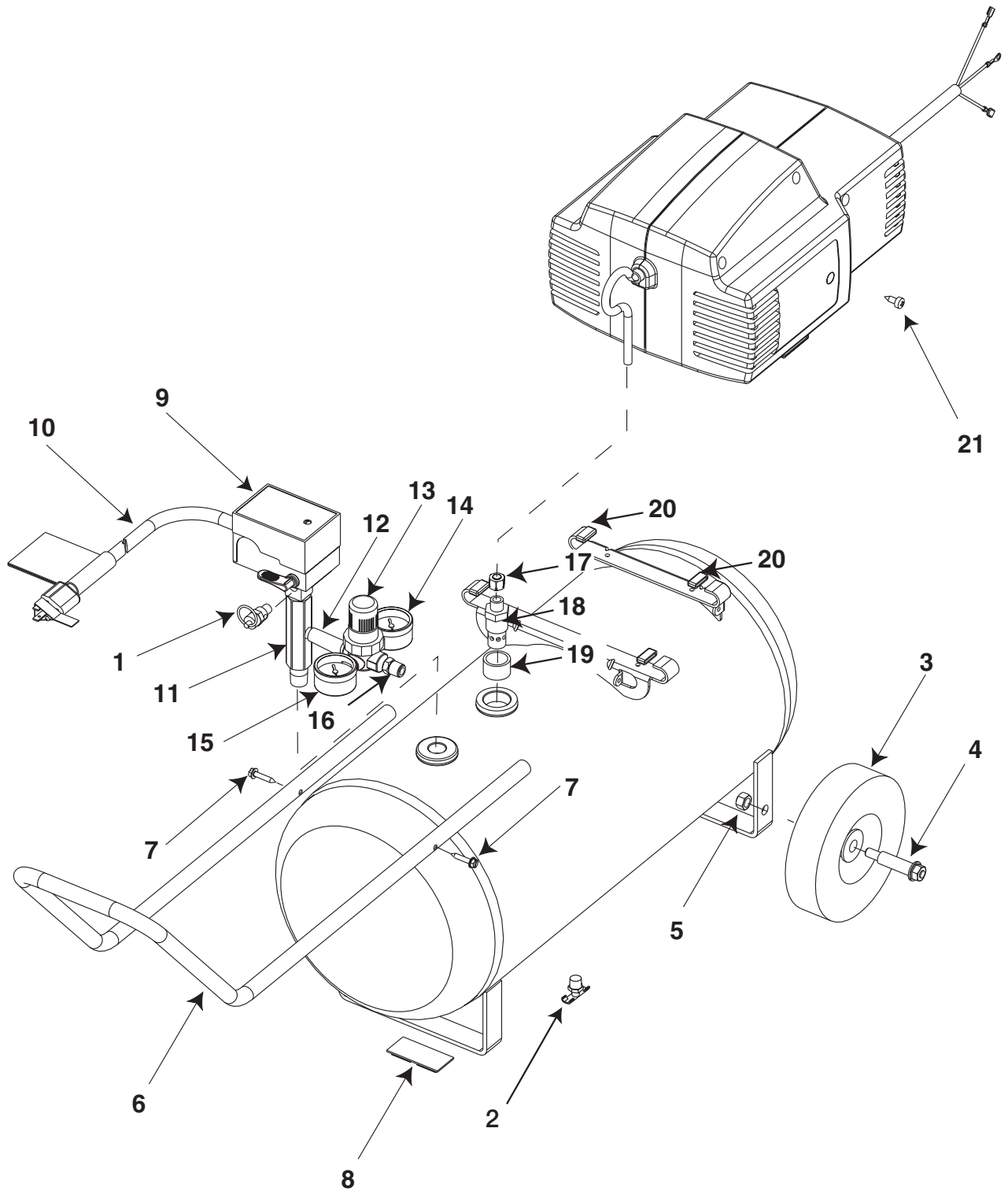


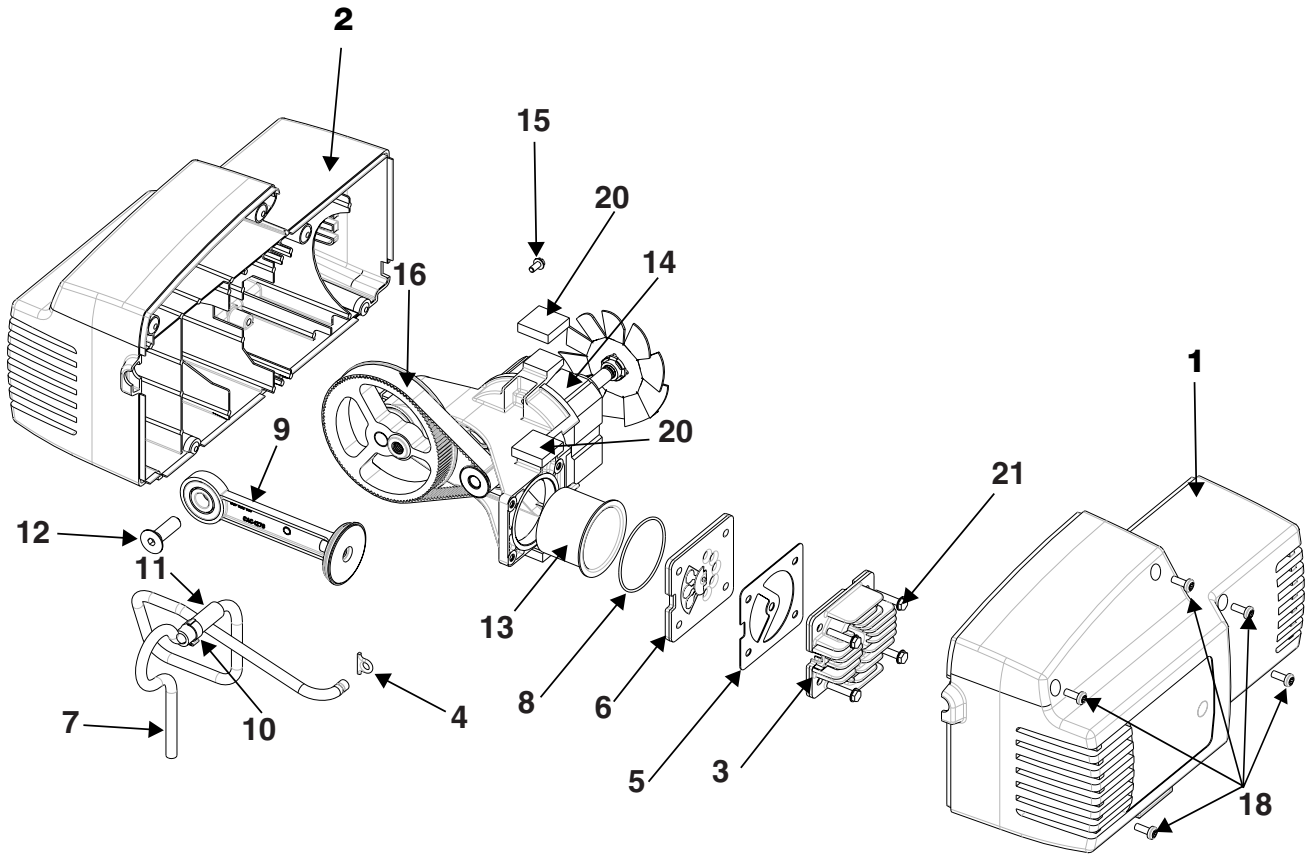
FAC28-2



FAC28-2 (cont'd)

| KEY NO. | PART NUMBER | DESCRIPTION |
|--------------------|------------------------|-------------------------------------|
| 1 | 97503734 | Safety Valve |
| 2 | SS-2707 | Drain Valve |
| 3 | CAC-4299 | Wheel 6" (2 used) |
| 4 | CAC-60 | Shoulder Bolt (2 used) |
| 5 | SSF-8080-ZN | Nut Hex 3/8-16 UNC-2B (2 used) |
| 6 | AC-0345 | Handle |
| 7 | SSF-612 | Screw #10 - 16 x 1 Type AB (2 used) |
| 8 | AC-0364 | Molded Foot Bumper |
| 9 | AC-0353-1 | Pressure Switch |
| 10 | SUDL-413-2 | Cord Assembly |
| 11 | AC-0027-2 | Manifold |
| 12 | SSP-480 | Nipple 1/4 - 18 NPT x 2.50 |
| 13 | AC-0007 | Regulator |
| 14 | AC-0009-1 | Gauge - Right Hand |
| 15 | AC-0010-1 | Gauge - Left Hand |
| 16 | H-2101 | Adaptor |
| 17 | SSP-473 | Nut Sleeve |
| 18 | CAC-1275 | Check Valve |
| 19 | SSP-490-1 | Face Bushing |
| 20 | CAC-1254 | Isolator (4 used) |
| 21 | SSF-621 | Screw, 1/4-14 x .625 (2 used) |

FAC28-2 (cont'd)



FAC28-2 (cont'd)

| Key No. | Part Number | Description |
|--------------------|------------------------|-----------------------------|
| 1 | AC-0471 | Shroud, Left |
| 2 | AC-0470 | Shroud, Right |
| 3 | CAC-1196 | Cylinder Head |
| * 4 | CAC-1212 | Tube Seal |
| * 5 | CAC-1199 | Gasket Head |
| 6 | CAC-4323 | Valve Plate Assembly |
| 7 | DAC-269 | Outlet Tube |
| * 8 | SSG-8169 | O-ring |
| + 9 | ----- | Rod Assembly |
| 10 | CAC-1206-1 | Clamp |
| 11 | AC-0206 | Tube Isolator |
| x 12 | SSF-3147 | Screw, 3/8-16 socket head |
| +13 | ----- | Cylinder Sleeve |
| 14 | N/A | Endbell Assembly |
| x15 | SUDL-9-1 | Screw, 8-32x .375/.344 |
| 16 | CAC-1342 | Timing Belt |
| 18 | SSF-3156 | Screw, 10-9x.50Plastite |
| 19 | AC-0354 | Motor Cord |
| * 20 | CAC-1213 | Pump Isolator (5 used) |
| x 21 | SSF-995 | Screw #10-24 x 7/8 (4 used) |

NOT ILLUSTRATED

| | |
|---------------|---------------|
| MGI-UMCCOMP-3 | Owners Manual |
| MP2-FAC28-2 | Parts Manual |

- * KK-4930 – Isolator Kit includes 4,5,8,20
- + KK-4964 – Connecting Rod Kit includes 9,13
- x KK-4929 – Fastener Kit includes 12,15,21